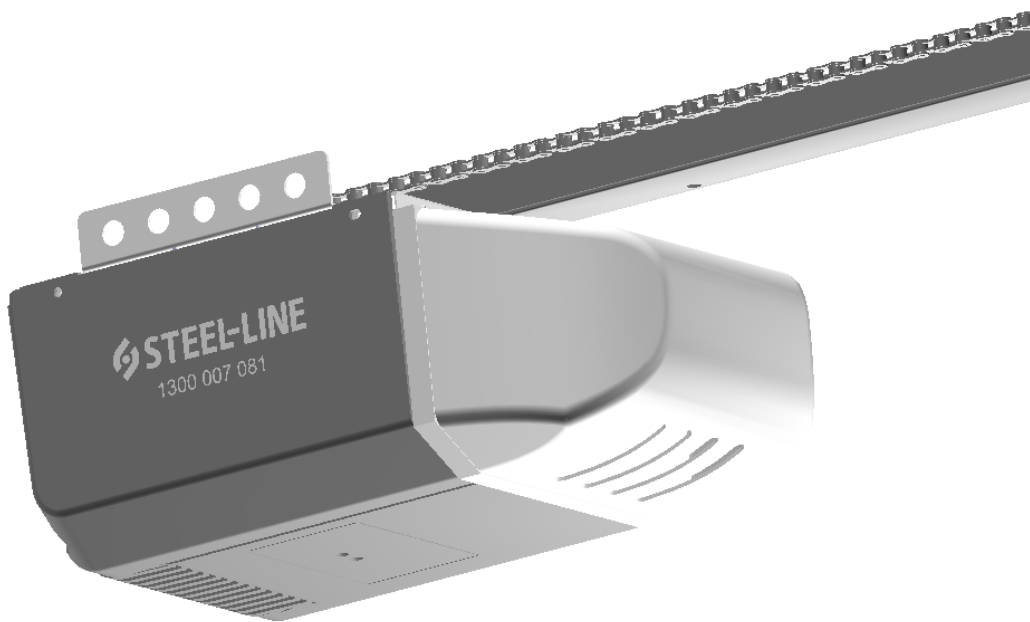




**MODEL OL4**  
**Residential Garage Door Opener**  
**for Sectional and One Piece Track Garage Doors**  
**up to 2.4M HIGH**



**Installation Instructions**  
**and**  
**Owner's Manual**

**READ THIS MANUAL CAREFULLY BEFORE BEGINNING INSTALLATION**  
**This Operator Must be Installed by a Qualified Installer Only**

# BOL4 SPECIFICATION

## Electrical Rating

Input	AC 220 50Hz
Max. Current	2A
Power	375W
Standby Power	2W

## Motor

Type	AC 220V Single Phase
Max. Capacity	75kg

## Recommended Lifting Forces

Max. Lifting Force	60kg
Rated Lifting Force	15kg
Door travel rate	135mm/second

## Door Type

Door Travel Limits	10 feet
--------------------	---------

## Courtesy Light

Light bulb	E27 60W
Lighting Time	4.5 minutes

## Transmitter

Frequency	433 MHz
Operation Range	50m (open field)
Coding Type	Fixed-code
Battery	12V (A23 Alkaline) x 1

## Operation Features

Safety reverse on closing and stop on opening
Digital Force Adjustment
Auto-Closing (15/30/45s) with Photo Eye Installed

## Miscellaneous

Operating Temperature	-20°C ~ +40°C
Dimension (mm)	344L x 240W x 173H
Weight	5.4kg approx.

## Accessories (Optional)

Wall Push Button (Standard / Illuminated / Wireless)
Wall Control Box
Wireless Keypad
1 / 2 / 3 / 4 Button Transmitters
Safety Photo Eye System

# Contents

Specification	02
Contents	03
Safety Instructions	04
Before Starting	04
Pre-Assembly Check	04
Product Features/ Specifications	05
Door Test	06
Tools Required	06
Component Identification & Inventory	07
Fastener Identification	07
Assembly Instructions	08
Installation Notes	09
Step 1    Mounting the Front Bracket	09
Step 2    Attach the Rail Assembly to Front Bracket	10
Step 3    Position the Power Head for Mounting Bracket	10
Step 4    Mounting the Power Head to Ceiling	10
Step 5    Recheck all Fasteners for Tightness	10
Step 6    Door Arm, Bracket and Plate Installation	11
Step 7    Check Emergency Release	11
Step 8    Connecting Power	12
Step 9    Installing Light Bulb	12
Step 10   Installing Wireless Push Button	
Step 11   Programming Transmitter Codes	12
Tilt Door Installation	13
Operation and Adjustment Instructions	15
Setting the Limits	15
Setting the Sensitivity Force	16
Testing the Openers Reversing System	17
Testing the Photo eye system	17
Final installation	18
Trouble Shooting	19
After the Installation	20
Parts Breakdown	21
Warranty	23

## NOTICE

STEEL-LINE Garage Door Openers are designed and tested to offer safe operation, Provided installation and use of this product is followed in strict accordance with these instructions for assembly and installation. Failure to comply with these instructions could cause property and/or bodily injury. The opener is intended only for the use described in this manual and use other than intended will void any and all warranties herein described.

# Read and Follow These Important Safety Instructions

You will see **Warning** and **Caution** statements on the following Pages.

Read and follow these safety instructions carefully. Failure to do so could result in serious personal injury or death.



**Warning** means that severe injury or death may result from failure to follow instructions

**Caution** means that property damage or injury may result from failure to follow instructions

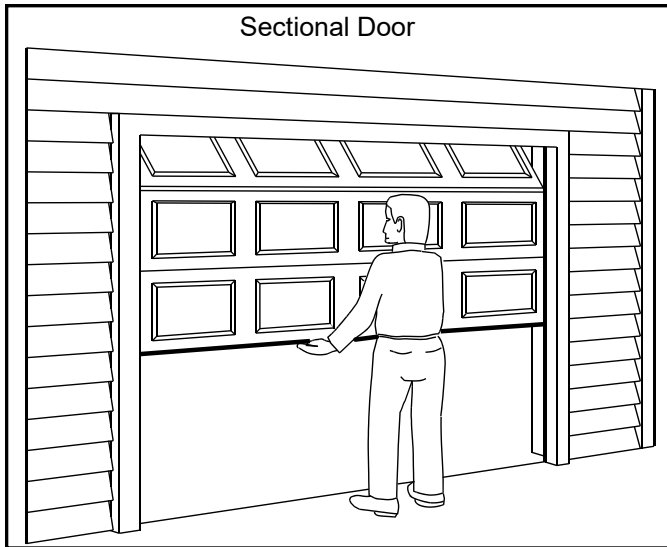
- Be sure to read and follow all instructions carefully.
- Locate lighted push button within sight of garage door, away from all moving parts and out of reach of children (minimum 1.5M above floor). To reduce the risk of injury to persons, to use this operator only with a sectional door.
- Check to make sure the garage door is properly installed and balanced. Because of the extreme tension most garage door parts are under do not attempt to adjust on your own. Have a qualified garage door service person make repairs to cables, spring and other hardware before installing the opener.
- Mount the Emergency Release Knob 2M from the floor. Use the manual release Only to disengage the trolley. Do not use the Red Release Cord and Knob to pull door up or down. If possible, use the Emergency Release only when the door is closed.
- After installing opener, the door must reverse when it comes in contact with a 40mm high object. Check this safety feature often.
- Disengage all existing garage door locks to avoid damage to the garage door.
- Aluminum and Steel Doors must be Reinforced to Prevent Damage. Consult with Manufacturer for Recommendations.
- All installation and wiring must be done in strict compliance with local and state building and electrical codes. Connect the power cord to a properly grounded outlet only. Do not in any way alter or remove the grounding pin.
- Never operate the opener if the system is not operating properly.
- Always disconnect electric power before making repairs or removing cover.
- Activate opener only when the door is in full view and free from obstructions.
- No one should enter or leave the garage while the door is moving. Do not allow children to play near, or operate the door. Keep the remote control away from children.
- After Installation is complete fasten this manual near the garage door. Perform periodic safety checks and recommended maintenance and adjustments.

# Product Features

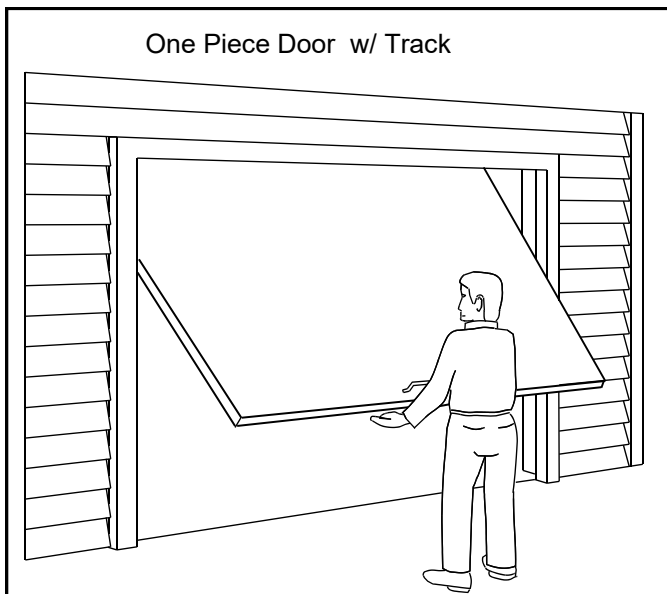
1. **Motor:** Permanently Lubricated, thermally protected, heavy duty motor with Automatic reset.
2. **Opener Lights:** Turn on and off automatically with 2-1/2 minutes illumination for your safety and convenience.
3. **Sensing System:** A built-in sensing system detects obstructions during door operation. If in the Downward (close) travel mode, the Opener will sense an obstruction and reverse to the full open position. In the Open mode, the Opener will stop. In both cases the light will start flashing and continue to flash for 60 seconds. Since all doors are different, the Sensing System has independent adjustments for customizing the level of force for the normal opening and closing of specific door.
4. **Close Limit Switch:** In winter months it's common for small pieces of ice or packed snow to be trapped under the door. Ground swelling may also effect the close limit setting of the Opener. The Close Limit Switch overrides the Sensing System under the last 2.5cm of closing travel and prevents the door from reversing if it encounters an obstruction at this point.
5. **Emergency Release:** A pull cord allows manual disconnect and operation of door during power failure. Unit will automatically reconnect when release is reset (the trolley release lever is snapped back to its original position), power is restored and Opener is activated.
6. **Mechanical Door Lock:** When properly adjusted, opener locks door in closed position preventing unwanted entry.
7. **Easy Connect Continuous Monitor Entrapment System:** System allows quick and easy installation of "Silent Guard" Photo eye system (Optional) while control circuitry monitors these devices continuously for proper operation.
8. **Constant Contact to Close:** For utmost safety if "Silent Guard" Photo eye system (Optional) fails constant contact of mechanical push button is necessary to close door. In this mode of operation, a radio transmitter cannot be used to close door.
9. **Momentary Contact to Close:** Single touch to Radio Transmitter or Wall Button will allow door to close as long as Silent Guard Photo eye system (Optional) is operational.
10. **Silent Guard Photo eye system (Optional):** An invisible infra-red beam of light guards the door opening and reverses a downward moving door if the beam is broken by a stationary or moving object. If the beam is broken, the opener light will flash for 30 seconds. Motor control circuitry constantly monitors the Silent Guard Photo eye system for proper operation.
11. **Digital Radio Control:** Built in allowing over 1.6 million private codes, easily selected without use of tools. Bright transmitter LED indicates operation and monitors battery condition.

# Door Test

Before beginning installation of the operator please complete the following test to insure that your door is balanced and in good working condition. A poorly balanced door could cause severe personal injury and damage to the opener. Always have a qualified garage door service person make any needed adjustments and/or repairs to your door before proceeding with installation.



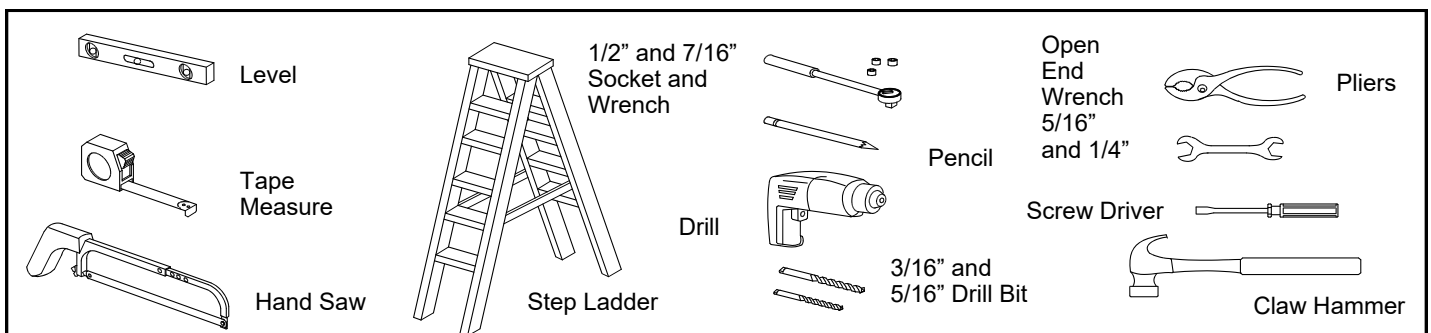
1. Raise and lower the door and check closely for areas of sticking and binding. Check for loose hinges, wobbly rollers, frayed cables and damaged or broken springs. Contact a qualified garage door service person to make the necessary adjustments.
2. Lift the door approximately halfway. When released, the door should stay in that position. If door pulls open or moves downward, the spring mechanism is not adjusted properly. Contact a qualified garage door service person to make the necessary adjustments.
3. When properly installed and adjusted the door will remain clear of the opening, when allowed to rest at its natural full open position. If door drifts up or down the door is not adjusted properly. Contact a qualified garage door service person to make the necessary adjustments.



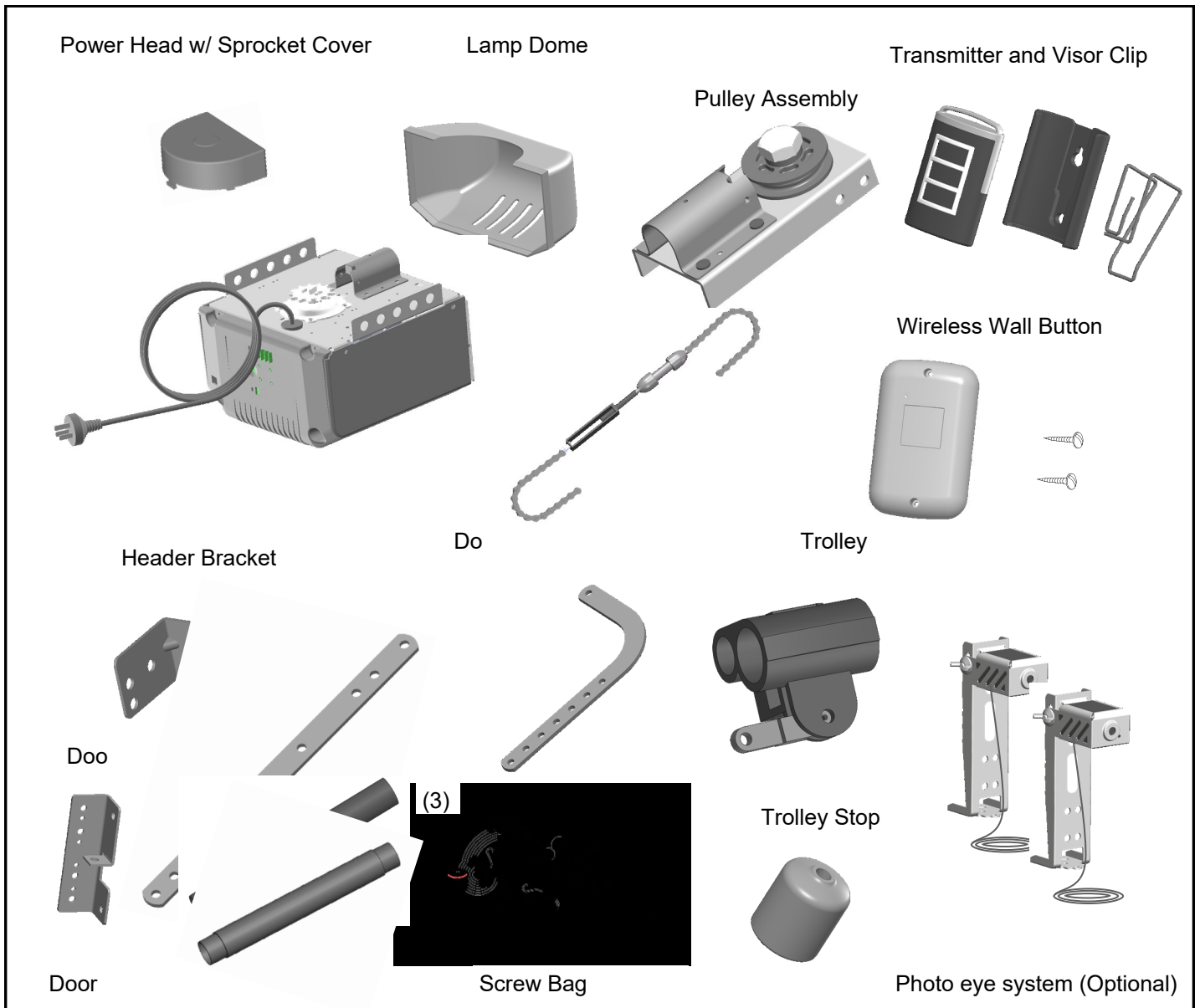
Do Not Install the Opener Until These Adjustments and Repairs Have Been Made.

Carefully follow the instructions for the assembly and installation of the garage door opener contained in this manual

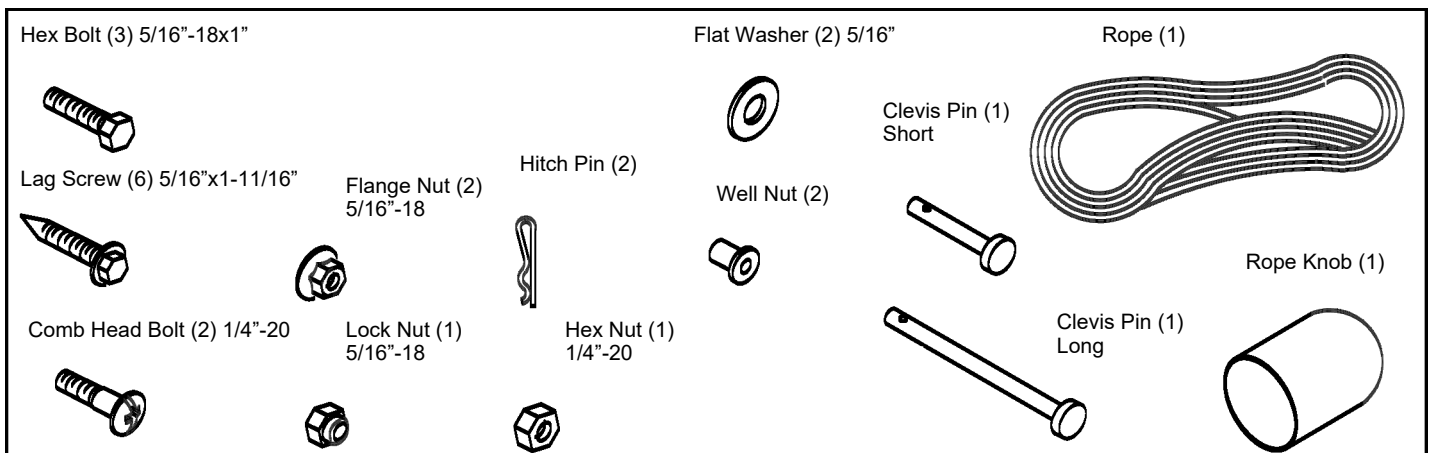
## Tools Required for Assembly and Installation



# Components Identification and Inventory

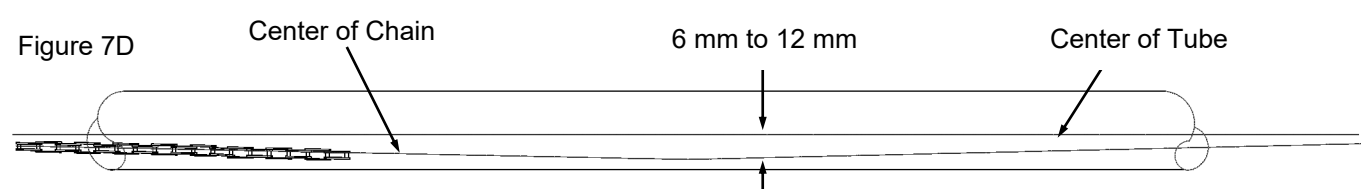
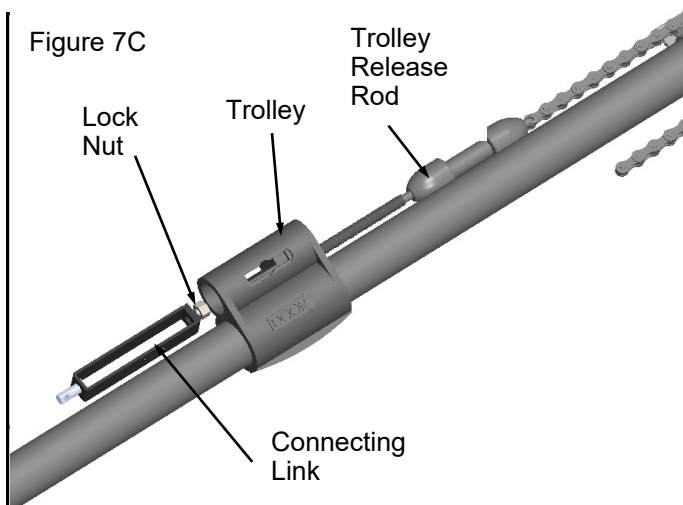
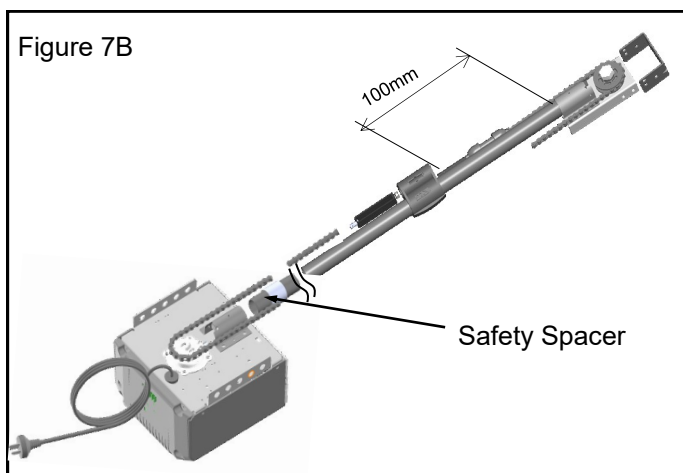
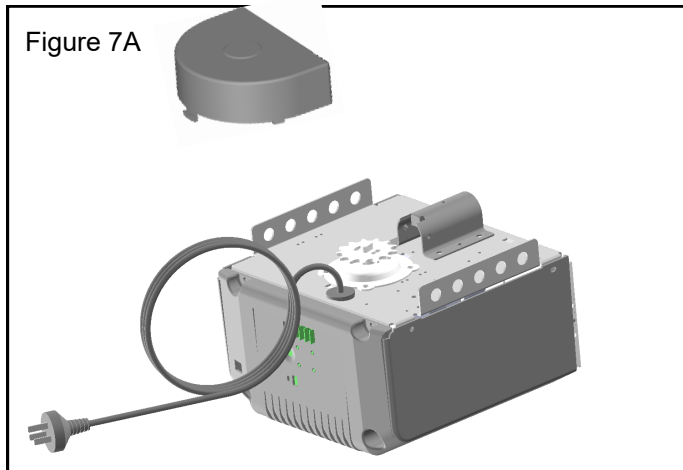


## Fastener (parts in screw bag) Identification



# Assembly

**Note:** The L-Rail/Chain Speed Unit Assembly with Trolley and Front Idler Sprocket is packaged separately from the Power Head Unit. Refer to Page 7 for package contents and identification.



## Step 1.

Place Power Head Unit on discarded packing material/ cardboard.

## Step 2.

Remove the sprocket cover, see figure 7A, and position the trolley on the drive tube as illustrated figure 7B.

## Step 3.

Roll out the chain assembly carefully to prevent tangling. Connect the trolley release rod to the connecting link through the drive trolley, but do not tighten. (Figure 7C) Wrap the chain around the drive sprockets on the drive unit ensuring the chain engages the teeth on the sprocket. Extend the chain along the other side of the tube and around the return pulley.

Ensure the trolley has not moved from the point as indicated in the diagram (Figure 7B).

Now install the connecting link to the trolley release rod as illustrated. (Figure 7C).

Note: during the assembly the trolley release rod is actually engaged in the trolley. It is shown here removed for the sake of clarity.

## Step 4.

Tension the chain by turning the adjusting nut. Hold the trolley release rod and the connecting link to prevent from turning. (Figure 7C).

The tension should be correct when the chain has a sag of between 6 mm and 12 mm (Figure 7D).

Tighten lock nut against the connecting link, to lock adjustment into place (Figure 7C)

Note:

The chain and its supporting equipment may stretch after a period of time. The chain should be re-tightened after the first three months' use, and thereafter as required.

## Step 5.

Re-check all nuts for tightness.

**Assembly is now completed. You are ready to begin installation of the opener.**



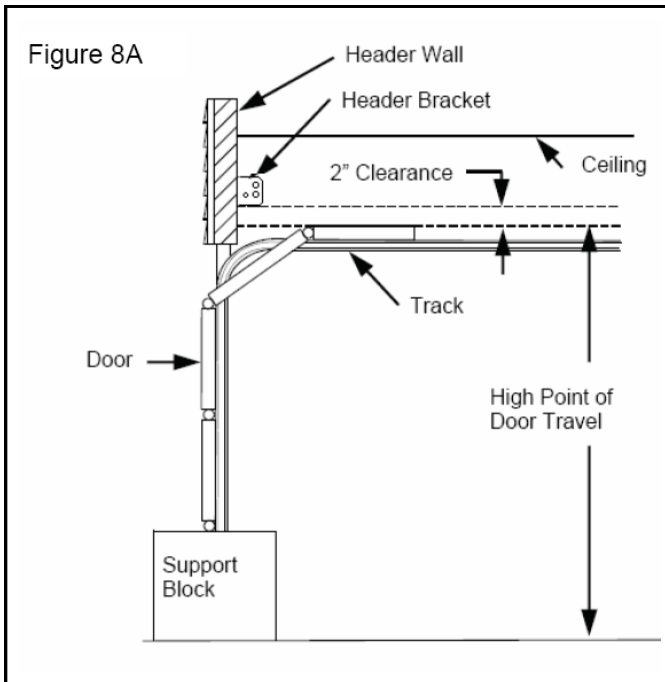
# Installation

Installation procedures will vary depending on type of garage door.

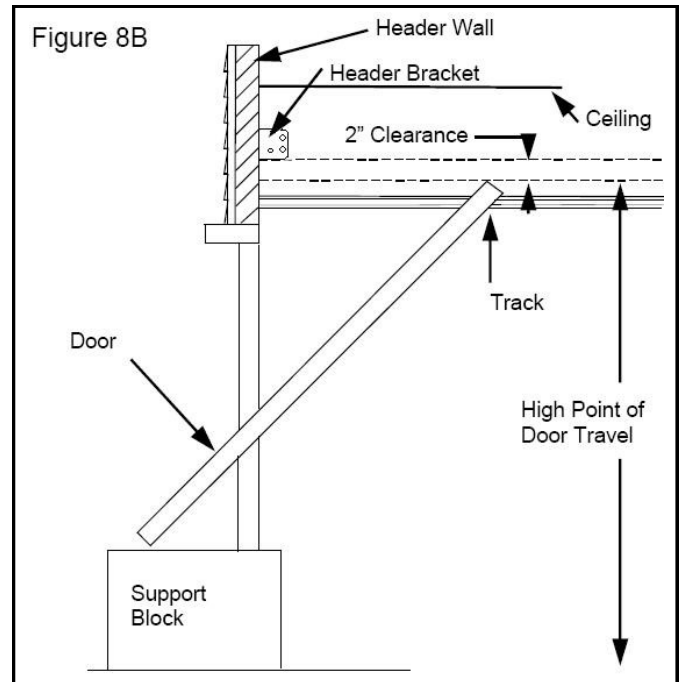
Identify your garage door from those illustrated below and follow procedure outlined for your type of door.

For tilt door (one-piece door), please refer to installation on page 12&13.

To determine high point of door. Raise the door slowly, until it reaches its highest point of travel. Place support block under the door and measure the distance from the floor to the top edge of the door. Remove block and lower door.



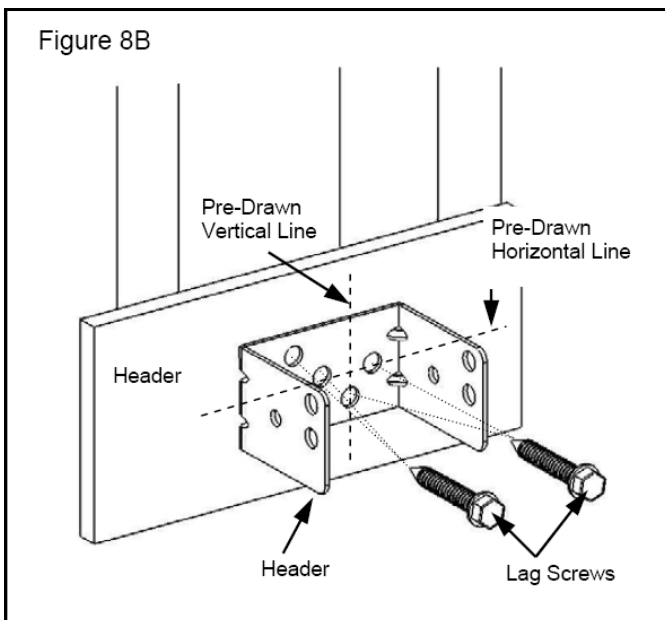
Sectional Door with Curved Track



One-Piece Door with Horizontal Track



Springs, Pulleys, Cables and Mounting Hardware that balance your garage door are under tremendous pressure at all times and can cause serious injury or death if disturbed. Do not attempt adjustment!



## Step 1.

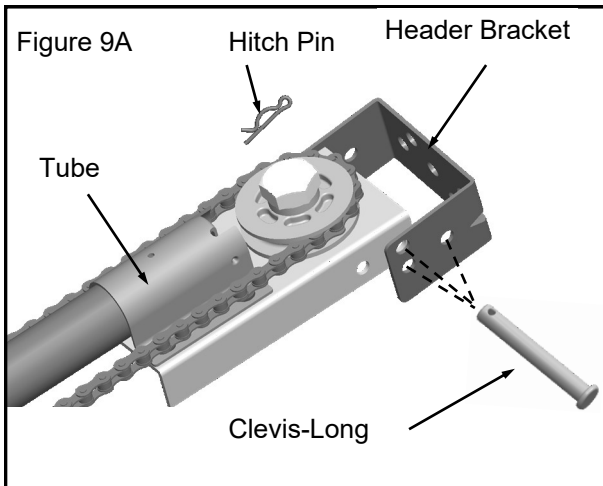
Mounting the front Bracket (Sectional Doors and One-piece with Track.) Mark a vertical centerline on the header above the door. By manually raising the door, determine the high point of the doors travel (see figure 8A and 8B) and using a level, transfer this measurement to the header (See figure 8C) Draw a horizontal line, crossing the previously drawn centerline, at this point. Install the front Mounting Bracket securely with lag screws as shown below. If necessary, reinforce the header with steel or wood to ensure a secure mount.

# Installation



**Warning:** Aluminum or Lightweight Steel Doors Will Require Reinforcement before installation of door mounting brackets. Contact your door manufacturer instructions. Failure to properly do so may result in severe door damage.

**Note:** Reinforcing may affect the balance of your door. Check for proper manual operation after installation. If necessary have your door re-balanced by a qualified garage door service person.



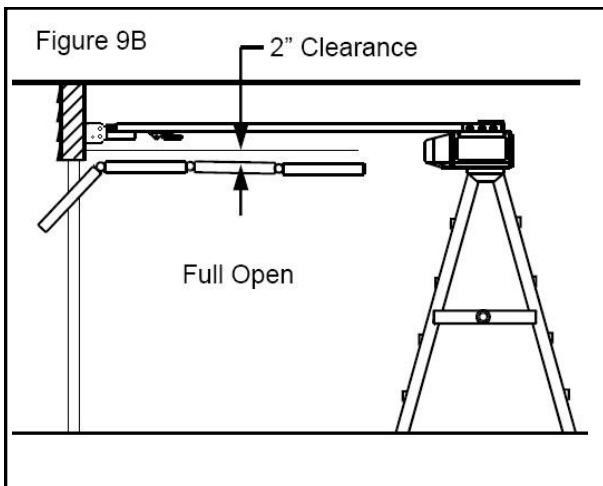
## Step 2.

Place the power unit on the floor (use cardboard packing material for protection) and raise Mounting Bracket align. Insert 5/16 x 2-3/4" Clevis Pin and Hitch Pin. See Figure 9A.

## Step 3.

Raise the opener and rest the power unit on a ladder or other support. Open the door to the full open position. See Figure 9B.

**Note:** Since the opener will be secured permanently in this position, open and close the door a few times to be sure the door does not rub on the rail and that you have allowed the proper clearance before proceeding.



## Step 4.

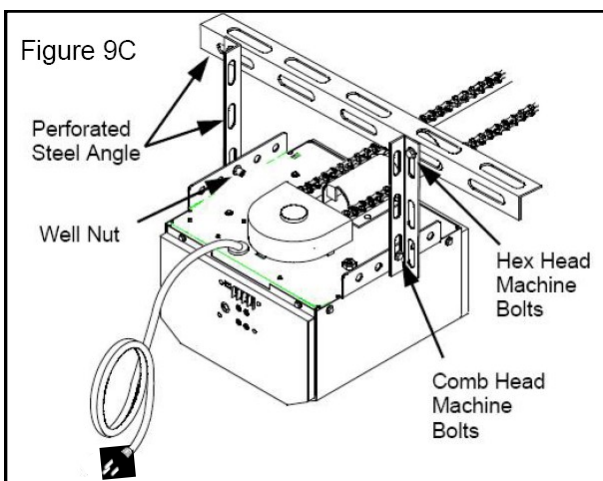
### Mount Power Head to Ceiling:

Since there are many different ceiling designs, all possible mounting illustrations can not be shown. Primary concern is to secure the power head to the ceiling so that operational strength, rigidity and safety are achieved. The opener must be securely fastened to a structural support of the garage. Although there are a series of mounting holes provided on the power unit, try to secure the mounting hangers to the slots closest to the front. Mounting may usually be accomplished by using standard 1-1/4" perforated steel angle available at most hardware stores or from your local garage door service person. If in doubt as to location of, and attachment to, ceiling joists, a carpenter should be contacted to provide assistance. A cross brace will be necessary if power head is mounted 200 mm or more from the ceiling. See figure 9C.

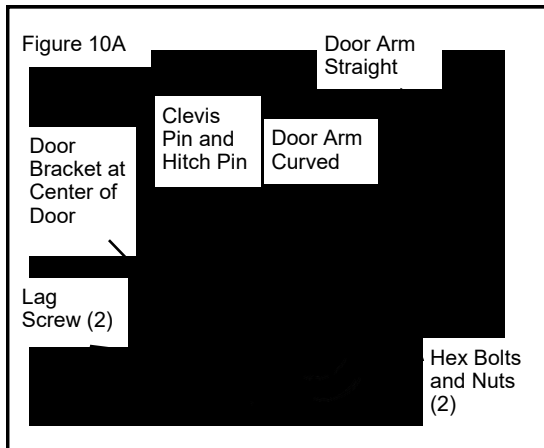
**Fasteners Supplied:** 2 ea. 5/16-18x 1-7/8 Lags, 4 ea. 5/16 - 18 x 1-1/8" Hex Bolts with Lock Washers and Nuts.

## Step 5.

Re-check all Lags, Nuts and Bolts for Tightness.



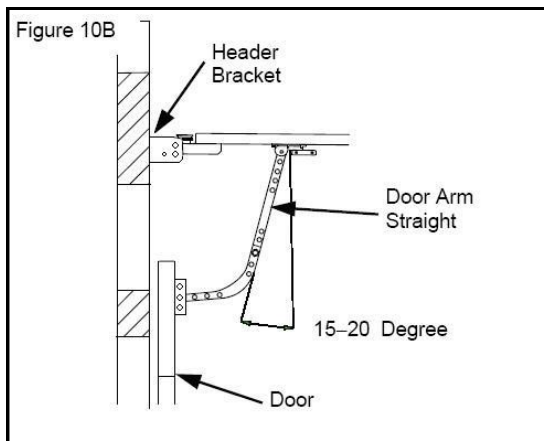
# Installation



## Step 6.

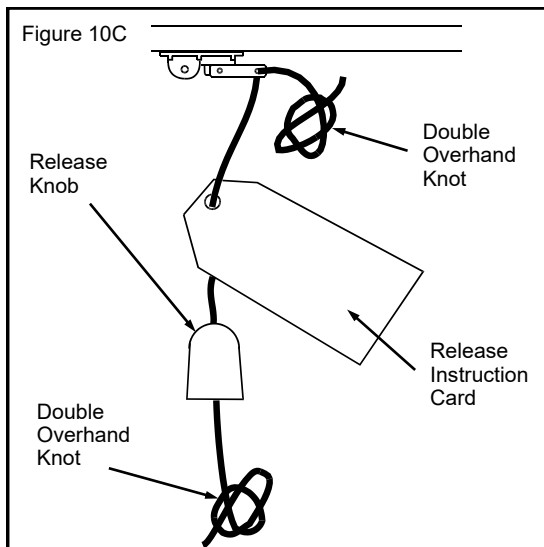
### Door Arm, Bracket and Plate Installation:

Install the door mounting bracket on center and even with the top set of rollers on the door as illustrated Figure. 10A. (Fasteners Supplied: 2 ea. Lag Screw. Connect the straight door arm section (single hole section) to the trolley using a 5/16 x 1" Clevis pin and clip. The door arm must pivot freely. Connect the two Door arm so that it leans toward the power unit as illustrated fig. 10B. Do not install the door arm so that is straight up and down when the door is closed or the emergency release will not function properly. Now attach Door Arm to Trolley using 5/16" x 1" Clevis pin and clip.



## Step 7.

Tie a double overhand knot in one end of the Emergency Release Rope and slip the other end through the Red Release Knob, the Release Instruction Card and the hole at the end of the Release Lever on the Trolley (Please take time now to read and familiarize yourself with the instructions on the Emergency Release Label ) Figure 10C. Tie a second double overhand knot in the free end, adjusting the Rope so that the Red Knob is 2M. above the floor. If the Rope must be cut, flame seal the cut end with a match or lighter to prevent fraying or unraveling.



**Note:** The Emergency Release Mechanism is engaged by pulling the Release Knob down and towards the door, allowing the Trolley Mechanism to separate freeing the door. To re-engage simply move the Emergency Release Mechanism Lever upwards and operate the Opener using the push button or Transmitter. The two parts will automatically reconnect.

**Note:** This operation should be attempted only when the door is fully closed. Disconnection when open or partially open can cause the door to close quickly and cause personal injury or damage to the door.

Use Manual Release Rope to Disengage Trolley Only. Do Not Use the Rope and Knob to Pull the Door Open or Closed



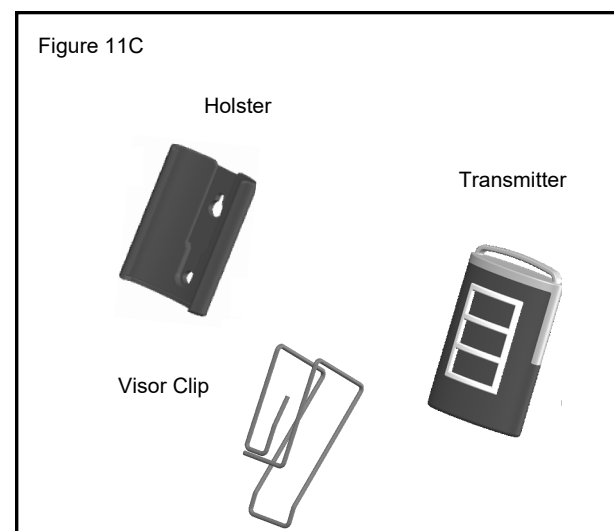
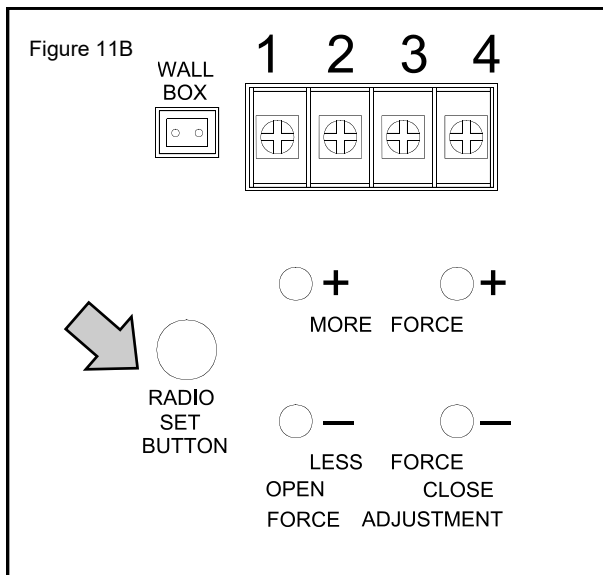
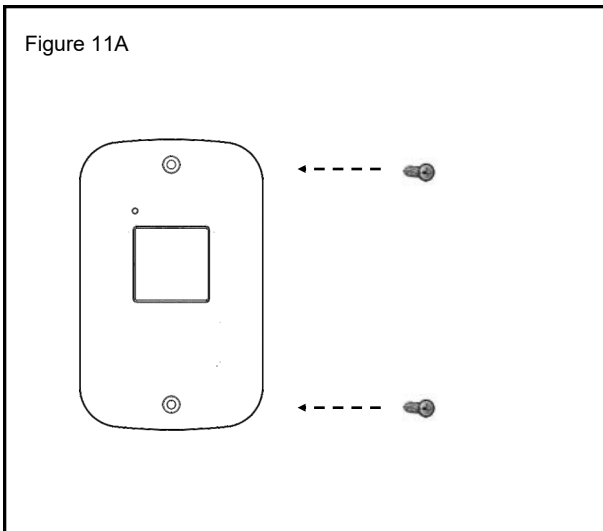
**Warning:** A Child Operating the Door Controls Risks Injury - Or Death to Himself and to Others. Do not Allow Children to Operate Any Door Controls. Mount the Push Button at Least 1.5 M from the Floor Out of Reach of Children

**Warning:** Improper Door Operation can Cause Injury or Death. Caution Label Must Be Mounted on Wall Near The Push Button. All Warnings Should Be Strictly Adhered To.

# Installation



**Warning:** Installation & Wiring Must Be in Compliance with Local Electrical and Building Codes. Operation at other than 240V 50 Hz Will Cause Opener Malfunction and Damage.



## Step. 8

Opener Must be permanently wired or plugged into a grounded 3-prong receptacle wire according to local codes, within 1M of the Power Unit.

## Step. 9

Install a A19 100W Max Rough Service Bulb (available at most hardware stores) firmly in the light socket. Light bulbs in Door Openers are subject to vibration during normal operation which may shorten their life span. Fit Light Lens Cover and snap into place.

## Step. 10 Installing the Standard Wireless Wall Button

(1) Select a convenient place near an access door, 1.5m above the floor and out of reach of children for mounting. (2) Mount the Wireless Wall Button with screws supplied as shown in Figure 11A.

## Step. 11 Programming Transmitter Codes

### Programming Wireless Wall Button

Press the "Radio Set Button" on the opener as shown in figure 11B. The courtesy light will stay on for 30 seconds.

During this 30 second period, press the button on the Wireless Wall Button, the courtesy light will flash twice this will indicate that the receiver has accepted the code.

If the code is not accepted the courtesy light will stay on for 30 seconds, flash 4 times and then stay on for 2 1/2 minutes.

### Programming Handset

Repeat above procedure to program handset code by pressing the desired button you wish to program on a transmitter.

### Adding Handsets

Up to 20 handset codes (including wireless keypad) can be programmed into the receiver repeating the above process.

Each button on a handset has its own code and must be programmed separately. In case of more than 20 codes are programmed, the very first code will be replaced by the latest code programmed.

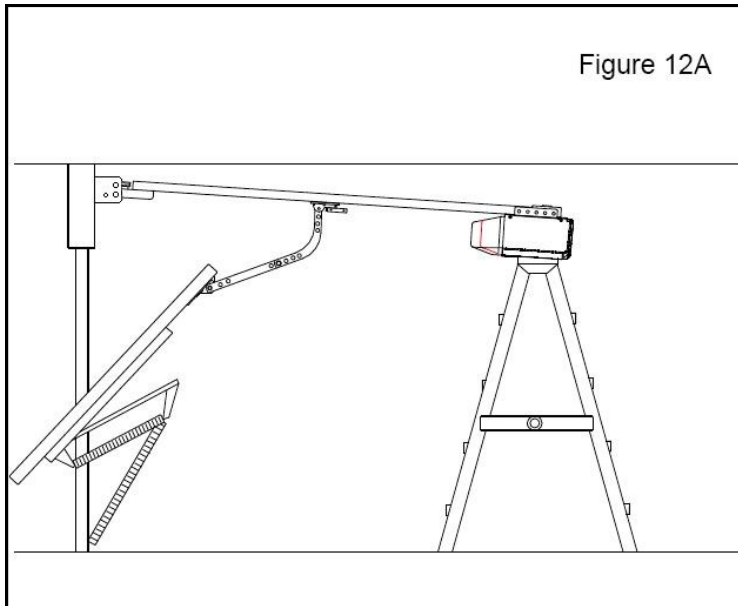
### Erase ALL Codes

To erase all transmitter codes from memory, press and hold the "Radio Set Button" for above 5 seconds. The courtesy light will then flash 7 times, indicating all codes have been erased from memory.

# Installation (Tilt Door)

## Step 1:

Locate the center of the top edge of the garage door and mark it on the inside face. With a level set plumb at this mark, draw a vertical line on the mounting surface above the door. (If a ceiling surface suitable for marking exists, extend the line to the ceiling and mark the ceiling. Open the door and plumb up from the center mark made on the door to the ceiling, if one exists, and mark the ceiling. Determine the rise of the high arc of the door. Use level to measure rise on mounting surface above door. Use the table below to determine the distance the front end bracket should be mounted above the top of the door when closed.



HIGH ARC RISE	MOUNTING DISTANCE
100 cm	200cm
100-200 cm	330 cm
200-300 cm	450 cm

Make the appropriate measurement and mark the vertical line at this point.

## Step 2:

Attach the bracket provided directly to the structure or the addition with lag screws or bolts and self locking nuts so that one leg of the bracket provides a shelf upon which the front end of the rail may be rested and subsequently attached. The leg of the bracket forming the shelf should be at the horizontal mark made in **Step 1**. The center hole in this leg should be aligned with the center of the door opening or the vertical line. The other leg of the bracket which is to be attached to the structure may be above or below the mark as the situation may required.

## Step 3:

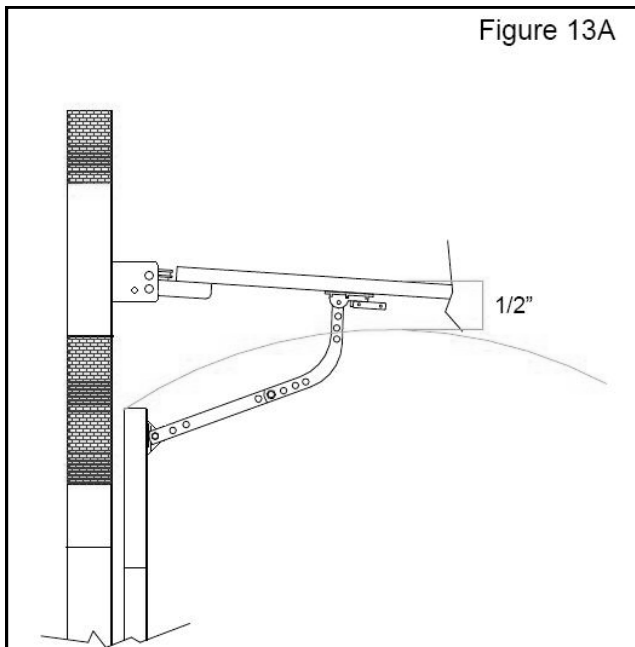
Place the front end of the rail on the bracket attached in **Step 2**, and drop one of the 1/4" x 2" carriage bolts through the hole in the end of the rail and the center hole in the bracket. Run one of the 1/4" nuts on the end of the bolt a few turns. This will temporarily hold the rail in place while the back end is swung upward and rested on a step ladder. **CAUTION: IF ADDITIONAL HEIGHT IS REQUIRED, BE CERTAIN THAT THE MEANS USED PROVIDES A STURDY AND STABLE NON-SKID PLATFORM. PULL THE CARRIER RELEASE ARM TO A VERTICAL POSITION AND SLIDE THE OUTER HALF OF THE CARRIER TO THE REAR OF THE RAIL. THIS WILL PREVENT THE DOOR FROM STRIKING THE LEVER.** At this time the door can be opened to its high arc position. It will be necessary to support the door so that it will remain in this position. Position the rail over the center of the top section of the door.

Lower and back end of the operator so that the bottom of the rail is about 1/2" above the door edge at the high arc position (Fig 13A). Do not allow the door to support the operator as this will cause a false measurement to be taken and possibly damage the door. Support the operator in the same fashion as before and measure the distance from the ceiling to the selected frame mounting slot. The length of the rear vertical supports will not be greater than this dimension.

## Step 4:

A rear mount must be constructed to secure the rear of the operator to the ceiling. The distance from the operator to the ceiling structure has already been determined in **STEP 3**. Measure and cut the appropriate length of perforated angle iron or other suitable metal required to suspend the operator. The operator frame plate is 6 -1/2" wide. The vertical supports should be 3 -1/4" from each side of the center line. Construct the mount and secure it to the structure in the ceiling. Secure the operator to the mount. The mount must be braced to minimize lateral movement in all directions.

## Installation (Tilt Door)

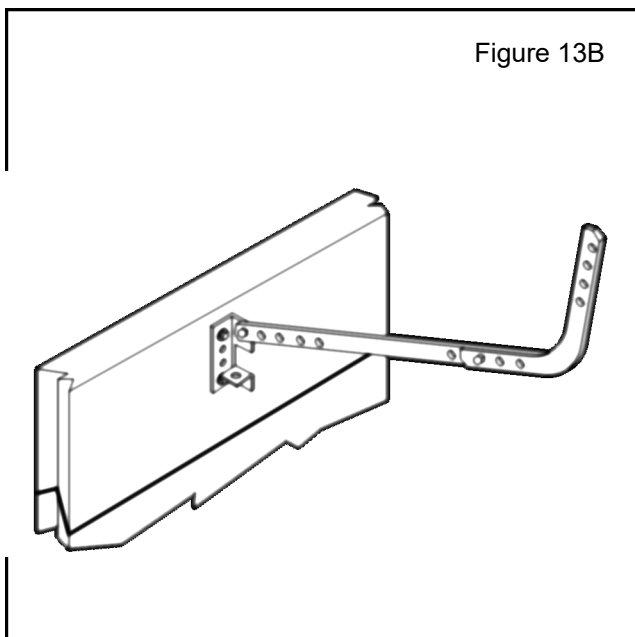


### Step 5:

After the rear of the operator is suspended, remove the door support and close the door. Remove the 1/4" x 2" carriage bolt and nut that was used to temporarily hold the front end of the rail to the bracket and secure with a 5/16" x 1" bolt and lock nut. Attach the straight portion of the door arm to the carrier by means of the 3/8" x 1" bolt and self locking nut already on the carrier. Assemble the angled portion of the door arm to the door bracket with a 3/8" x 1" bolt and self locking nut from the hardware bag. This connection should be made to the top round hole on the door bracket with the door arm on the **IN-SIDE** of the angle. (See Fig 13B). Next, connect the two sections of the arm together with three holes overlapping using two 5/16" x 1" bolts. (Make the nuts only finger tight at this time).

### Step 6:

Release the carrier for manual operation of the door. Swing the door arm and door bracket up the forward until the door bracket rests against the inside surface of the door with the arm attachment point close to the top edge of the door (See Fig 13B). Note the position of the outer slide of the carrier on the rail and make a mark for later reference. Prepare the operator for electrical operation.



### Step 7:

With the disconnect still in the release position, start the operator in the closing direction (carrier forward) by means of the pushbutton and allow it to stop on the **DOWN** limit setting. Should the position of the inner carrier slide **not** coincide with the position of the outer slide determined in **STEP 6.**, it will be necessary to re-position the **DOWN** limit cam so that the outer slide of the carrier stops as close as possible to this point. Move the **DOWN** limit roller assembly on the chain toward the door if more travel is needed; toward the operator head to reduce travel of the carrier.

### Step 8:

When the **DOWN** limit position of the inner carrier slide and the position of the outer slide determined in **STEP 6**, coincide as closely as possible following the **DOWN** limit adjustment, re-connect the carrier slides. Swing the door arm up the forward until the door bracket rests against the inside face of the door. If the point of attachment of the door arm on the door bracket is within 1" of the top edge of the door, check vertical alignment of the door arm then mark the door for mounting holes. Use center hole and bottom of the lower slot. Drill two 1/4" holes and secure the bracket to the door with the carriage bolts provided. (NOTE: When drilling these holes, make sure that the drill, exiting through the front surface of the door, does not damage any overlapping trim.) Tighten the two 5/16" x 1" nuts and bolts which hold the two sections of the door arm together.

### Step 9:

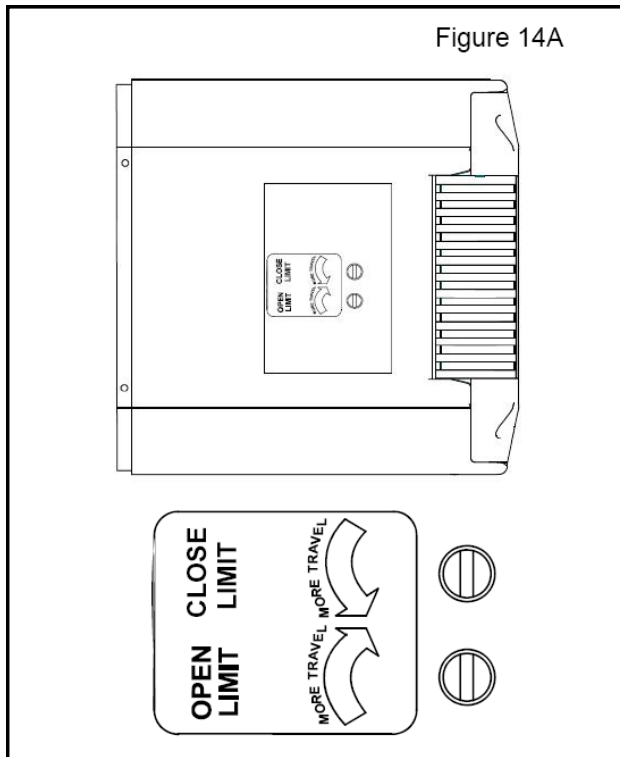
Again, release the carrier for manual operation. Using the pushbutton, run the carrier to its fully open (rear) position. Manually, raise the door to its fully open position and note the relative positions of the inner and outer carrier slides. If the two halves of the carrier do not coincide exactly, re-position the **UP** limit roller assembly on the chain until the inner slide stops, during electrical operation, just **AHEAD** of the outer slide (toward the door). Do not permit the inner slide to attempt to travel beyond the maximum rearward travel of the outer slide with the door in the fully open position.

# Adjustment



**Warning:** If Limits are not adjusted properly, the emergency release mechanism may not work properly and door operation could result in door damage or serious injury.

**Note:** It is now necessary to turn on the power in order to run the opener to check limit settings. Before doing so, ensure that all mounting hardware is installed and has been properly tightened, that all electrical connections are per local code requirements. Double Check that all ropes have been removed and that the doorway is clear.



- Up (Open) and Down (Close) Limits
- Limit adjustments settings regulate the total amount of distance the door will travel while opening and/or closing.
- Setting the Up Down Limits
- Note: Run the Opener through a complete travel cycle after each adjustment.
- Note: Repeated Operation of Opener may cause the motor to Overheat and the Thermal Overload Protection System will shut off the Opener. Please wait approximately 15 minutes for the Opener to cool down and automatically reset.
- If the door opens completely and closes completely without reversing: No adjustment is necessary.
- If the door does not open completely but opens at least 1.5M: Increase Up travel by turning UP LIMIT screw Clockwise
- If the door does not open 1.5M: Adjust Up FORCE/ SENSITIVITY Setting Page 16.
- If Door does not close completely: Increase Down Travel by turning DOWN LIMIT screw Counter-Clockwise.
- If Door reverses in full closed position: Decrease Down travel by turning Down LIMIT screw Clockwise.
- If Door Continues to Reverse: Disconnect Door from Opener use manual release. Check for binding while working door manually. If door binds or is out of balance call a qualified garage door service person. If no binding is found and balance seems correct. Adjust FORCE/SENSITIVITY Setting Page 16.

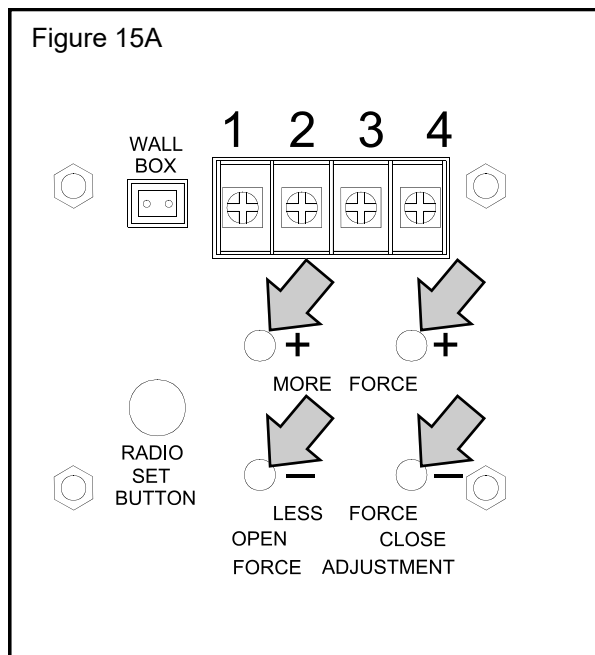


# Force/Sensitivity Adjustment



**Warning:** Improper Adjustment of Sensitivity System Force Could Cause Entrapment, Injury or Death. Set Adjust For Just Enough Force To Operate The Door Reliably, But No Stronger. Do Not Over-Adjust Force/Sensitivity System To Compensate For A Poorly Working, Sticking or Binding Door (Contact a qualified Garage Door Service Person to Correct any binding, sticking and/or other door problems).

Figure 15A



## Force/Sensitivity Adjustment

- Force/Sensitivity Adjustment Controls are located on the Back Panel of the Opener (See Figure 15A). Up and Down sensitivity adjustment are independent of one another (+ indicates more force) and (- indicates more sensitivity). Never change the Force/Sensitivity setting by more than 1 increment at a time.

- **Note:** Force/Sensitivity is set at level 1 at the factory both for the up and down adjustments. The size and operating conditions of the garage door will determine the correct level of Force/Sensitivity. Weather conditions may also affect the operation of the door requiring further adjustments as needed.

- **Note:** If the down pressure adjustment is set too light the operator will reverse in the down cycle. If the up pressure adjustment is set too light the operator will stop in the up cycle.

- **Note:** There are 12 levels (increments) of up and down force/sensitivity setting. When either the maximum or minimum setting is reached the light will flash 6 times.

## Setting Force/Sensitivity Adjustment

### Down force/Sensitivity Adjustment

- In the down or close direction the operator will reverse if the force required to close is exceeded. If the operator completes a full closure without reversing decrease the amount of pressure in increments of one push of the down - button until the operator reverses. Once the operator does reverse in the down direction increase down pressure by pushing the down + button once.

### Up Force/Sensitivity Adjustment

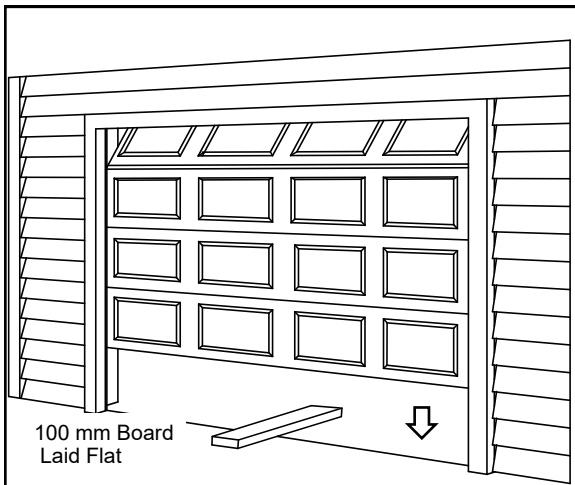
- In the up or open direction the operator will stop if the force required to open the door is exceeded. If the operator completes a full open cycle without stopping decrease the amount of force in increments of one push of the up - button until the operator stops during the up cycle. Once the operator does stop increase the up force by pushing the up + button once. For safety the force setting should always be set at the least amount necessary to run the door properly.



# Testing the Safety Reverse System



**Warning:** Failure to Test Reversing System Could Result in Death or Serious Injury. Test This System Once A Month.



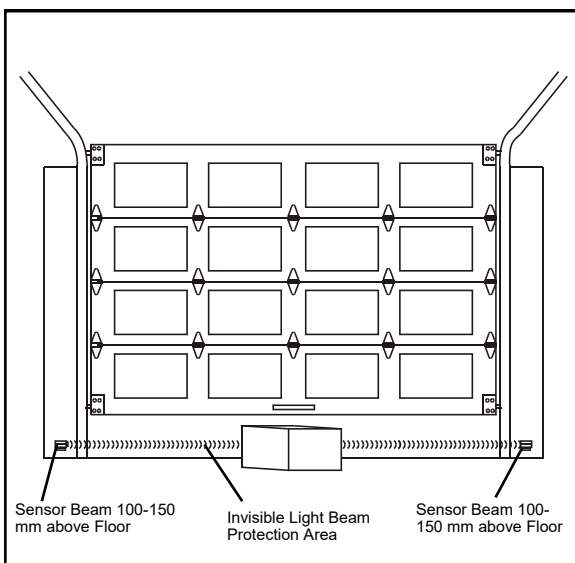
To test the Opener Reversing Feature at floor level, place a solid object 100 mm thick on the ground so that the center of the door will contact it. Close the Door. If the Down force Adjustments are Correct, the door will reverse within one and a half (1-1/2) seconds of contacting the object and travel to the Full Open Position. Light will also start flashing and continue to flash for 30 seconds. If this does not occur, re-check Limit Adjustments Page 15 and Force/Sensitivity Adjustments Page 16.

**Note:** Any time any adjustments are made to Limits or Sensitivity, You Must Retest the opener for the Reversing Feature at Floor Level as outlined above.

**Warning:** The Sensitivity System Reversing Test Should Be Performed Monthly to Ensure That This Important System Remains in Proper Adjustment



**Warning:** A Damaged or Malfunctioning Photo eye system Could Enable a Garage Door to Close on People or Property, Causing Serious Injury or Death. Perform this Test Monthly to Ensure Proper Operation.



## Testing the Photo Eye System \*

Start the door down and then place an obstacle approximately 200 mm high by 300 mm wide in the path of the beam. The Red Pilot Light on the Silent Guard Photo eye system should go off. The door should stop for 1-1/2 seconds and reverse to the full open position. The Opener light will also begin flashing and continue to flash for 30 seconds. IF the door is moving up and the beam is broken, the door will continue up to full open. With the door fully open and at rest, place the obstacle in the path of the beam once again. Activate the Wall Push Button, The Opener will revert to and remain in the safety. Push And Hold Operation for close travel. See Page 13.

**NOTE:** If the Garage Door Travels More Than 25mm in a Downward Path After Releasing the Button, the Silent Guard Photo eye system is Malfunctioning. Check All Electrical connections and Alignment of the Photo eye system.

\* Optional

# Final Installation

## Make Sure That:

1. The front and rear mounts for the opener are sound and secure and the rail is positioned correctly above the high arc of the door and that the opener is positioned over the door action centerline.
2. For sectional doors and one-piece doors with tracks, the position of the door arm with the opener closed, is such that its connecting point on the trolley is 125 to 200 mm behind its connecting point on the door bracket. The door arm should never be perfectly vertical when the door is in the closed position.

For one piece doors without tracks, the position of the door arm, with the door closed, is such that its connecting point on the trolley is 500 mm to 550 mm behind its connecting point on the door bracket. The straight portion of the door arm should be at an angle of 15-20 degrees with respect to the floor when the door is closed.

3. The emergency release knob and cord are secured to the emergency release lever on the trolley. The knob is located 2M above the floor and requires no more than 20 KGs. pull to actuate. The trolley and release mechanism are properly lubricated.
4. The standard lighted wireless wall button is in such a position and at such a height that it can only be actuated by an adult. The caution label is prominently displayed next to the push button.
5. All wiring is correct to code. There is ground continuity in the supply. The ground prong on the power cord is intact.
6. All ropes have been removed from the door. The door moves freely without binding when operated manually. The door is correctly balanced and lubricated. All door hardware is secure and sound. The sensitivity has been adjusted to minimum force. The appropriate warning sticker has been affixed to the door.
7. The door reverses on obstructions to within 40 mm of the floor. The floor beneath the closed door provides uniform contact.

# Trouble Shooting

Symptoms	Probable Cause/Solution
Opener does not work from either the transmitter or push button.	1,2,3,5,6,9,11,17,23,24
Opener does not start on command and light flashes for 30 seconds	1,4,5,7,8,11,12,13,15,16,17,18,22,23,24
Opener stops during cycle and light flashes 5 times	6
Opener operates from push button but not radio	9,14,20,21,25
Stops before reaching full open or closed	10,15
Reverses when the door makes contact with the floor	10
Light flashes 5 times but the opener does not start	26
Light does not come on	5,19
Light will not turn off (Light stays on)	5

Probable Cause	Solution
1. Mechanical garage door lock is engaged	1. Remove all locks from the garage door
2. Power is not present at outlet.	2. Check circuit breakers, fuse box and GFI receptacle
3. Shorted or defective wireless wall button.	3. Remove wireless wall button from wall and disconnect wires from the push button (activate transmitter). If the operator works from transmitter replace push button.
4. Bell-wire is shorted	4. Disconnect bell wire from the terminal stripe on the back of the power head (activate transmitter).
5. Malfunctioning logic board	5. Unplug operator at power outlet and then reconnect. Consult repairman to replace logic board.
6. Thermal overload breaker protection has been activated.	6. Allow time for motor to cool down (15 to 30 minutes depending on temperature in the garage). Thermal breaker automatically resets itself.
7. Garage door springs are out of balance	7. Consult service repairman to balance or replace springs.
8. Garage door is jammed.	8. Operate garage door manually; disconnect opener by pulling red cord on the trolley. Look for binding or jamming of the garage door. Consult service repairman.
9. Weak transmitter battery	9. Replace 12-volt battery in the transmitter by removing the screws on the backside of the transmitter case and pulling the case open to expose battery.
10. Travel limits are out of adjustment	10. Refer to page 15 In the installation manual.
11. Photo eyes* are obstructed (light flashes 30 seconds)	11. Check for obstructions between the photo eyes* and remove obstruction.
12. Photo eyes* are out of alignment (light flashes 30 seconds)	12. Check red LED inside the lens of the receiver photo eye* (photo eye with 4 wires). Led will light up when photo eyes* are aligned properly, refer to page 13 & 14 In the installation manual.
13. Photo eye* bell wire is shorted (light flashes 30 seconds)	13. Replace existing bell wire with new. Make sure that insulated staples do not short wire.
14. Defective transmitter or receiver	14. Contact your local dealer.
15. Up force/sensitivity out of adjustment	15. Adjust up force/sensitivity see page 16.
16. Down force/sensitivity out of adjustment	16. Adjust down force/sensitivity see page 16.
17. Bottom of garage door frozen to the ground	17. Free bottom of the door from the ice.
18. Foreign object on the floor such as ice or snow.	18. Clear all foreign objects from under the door.
19. Defective light bulb	19. Replace with rough service bulb of A19 100W Max .
20. Radio receiver is not receiving the radio signal	20. Point wire antenna straight down towards the floor. Ensure radio signal (transmitter) has a direct line of site to the receiver. Radio signals do not pass through metal objects but do penetrate glass.
21. Location of radio transmitter	21. Contact your local dealer.
22. Defective RPM counter board.	22. Contact your local dealer.
23. Defective programming board	23. Contact your local dealer.
24. Defective photo eyes*	24. Contact your local dealer.
25. Defective transmitter	25. Contact your local dealer.

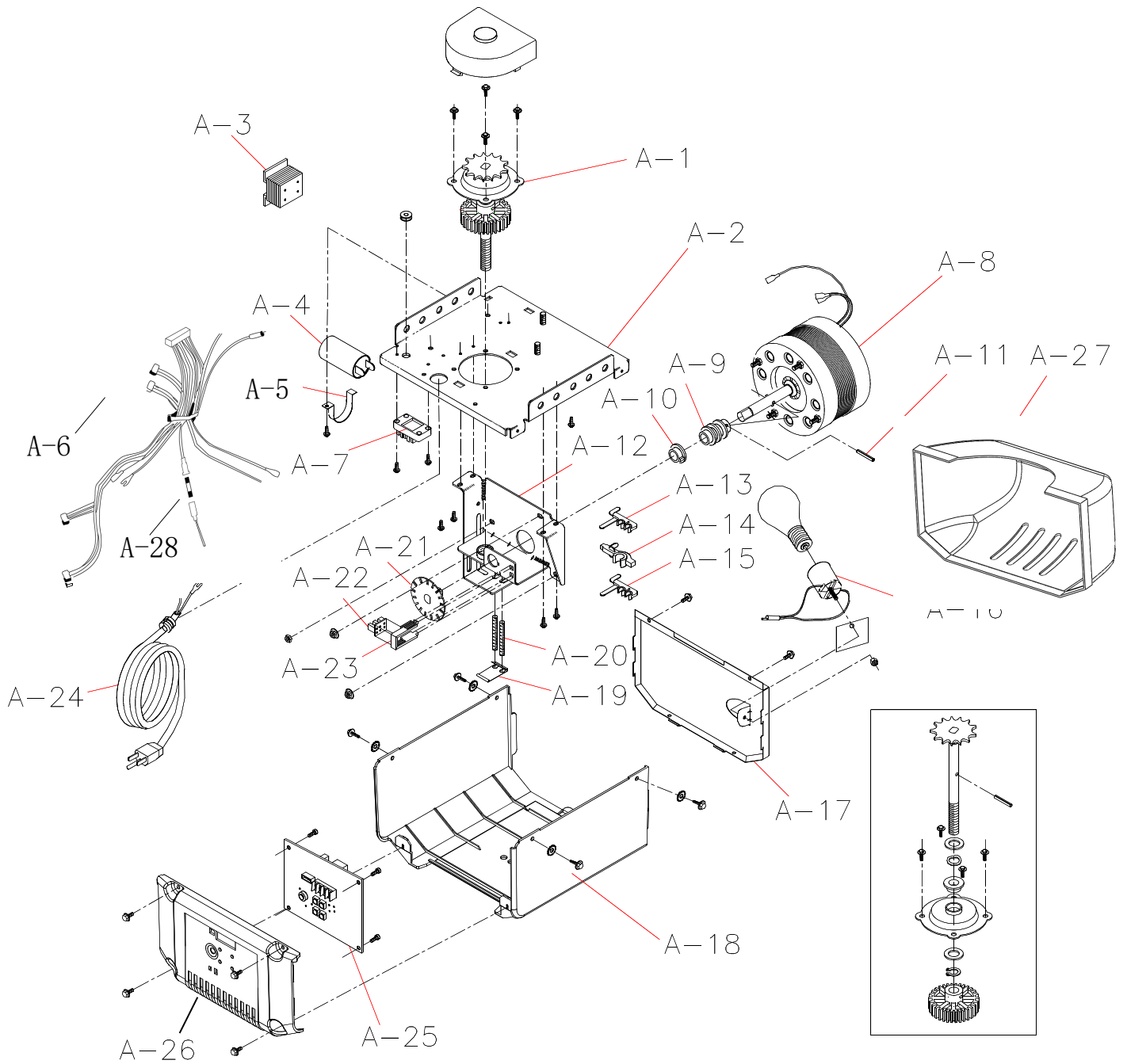
\* Optional

## After the Installation

1. Never permit children to play with or operate the garage door opener either from the wall station or the remote controls. Keep radio transmitter locked in the car. Misuse of the push button or transmitter could result in serious injury or even death.
2. Open the garage door with the remote controls only when the garage door is fully visible to you and clear of all obstructions. The garage door should be kept in sight until it is completely open or closed and you are certain that the garage door opener has shut off.
3. Attempting to exit the garage through the garage door opening, while the door is in motion, is a very dangerous activity that could result in serious injury or even death.
4. Children and pets should always be clear of the door opening while the garage door is in motion.
5. Check the safety reverse mechanism at least once a month to make sure that it will reverse with the minimum amount of force. Also check to be sure that the door will reverse within 100 mm of the floor. See page 16.
6. Check the manual operation of your garage door at least every 90 days to be sure that it is operating smoothly and does not bind or stick. Tighten all bolts on the door and visually check all hardware including springs for wear or damage. Caution: If service is needed contact your local garage door service person.
7. Do not decrease the safety reversing sensitivity mechanism to overcome a damaged or poorly operating door. This will adversely affect the operation of the safety reverse mechanism which could result in damage to the door, personal injury or even death.

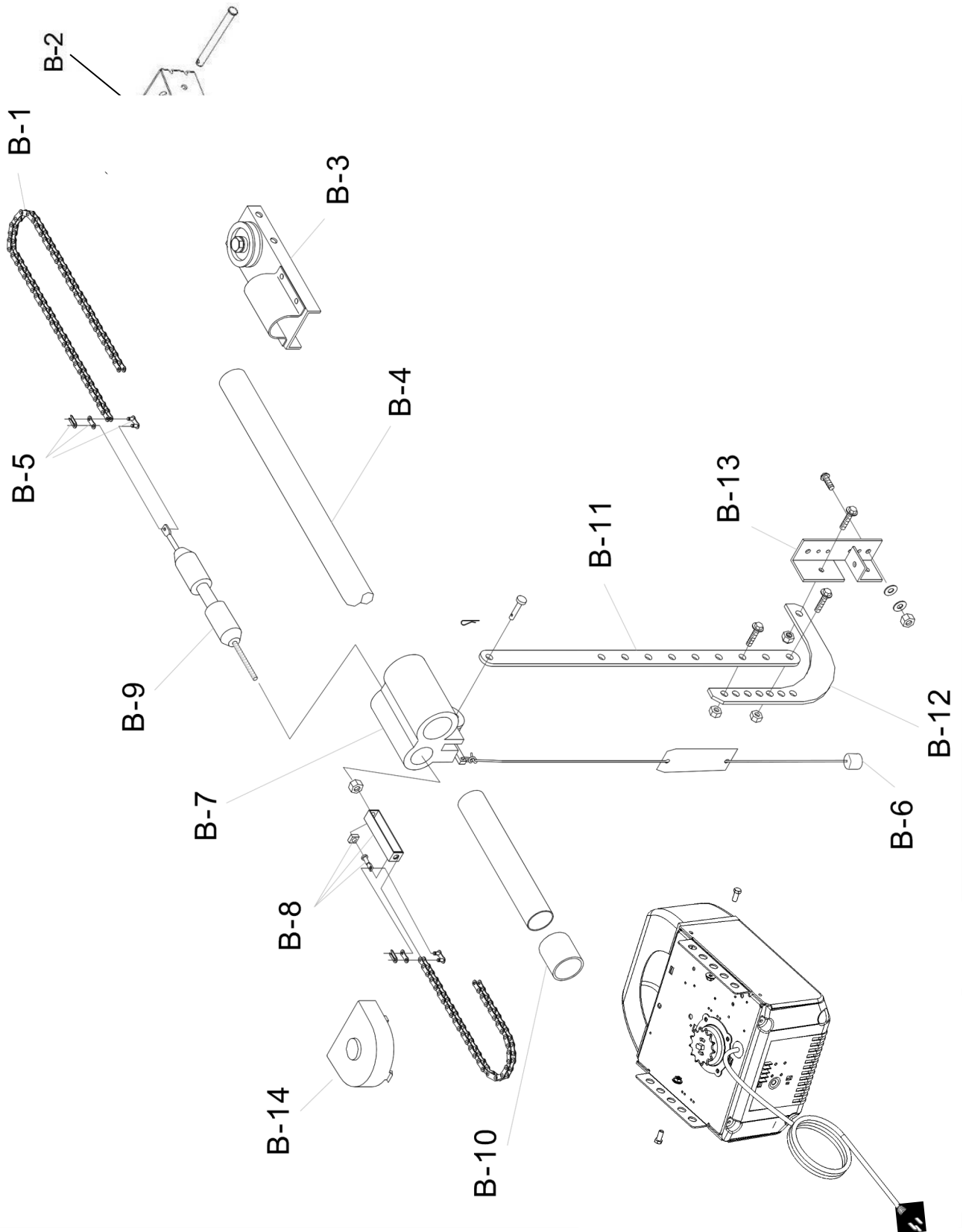
**Caution:** Never operate the door opener if the reversing mechanism is not functioning properly.

8. Whenever possible, the manual disconnect should only be used when the door is fully closed. Caution: Extreme care must be taken whenever the disconnect cord is pulled with the door partially open. Weak or broken springs may allow the door to fall rapidly resulting in property damage, personal injury or death. If a broken spring is evident, contact your local garage door service person immediately before disconnecting the door from the opener. Never attempt servicing a broken spring.
9. Always disconnect electrical power supply to the opener when performing any maintenance or service to the opener or garage door. Failure to do so could result in electrical shock, property damage, personal injury or death.
10. If any damage to any mechanical or structural component of the opener is observed, discontinue use and contact your local garage door service person immediately.



A-1	Drive Shaft Assembly w/ Helical Gear	A-10	Motor Shaft Bushing	A-19	Limit Shaft Clip
A-2	Chassis	A-11	Roll Pin	A-20	Limit Screws
A-3	Logic Board	A-12	Motor Mounting Bracket	A-21	RPM Reader Wheel
A-4	Capacitor	A-13	Up Limit	A-22	RPM Reader Board
A-5	Capacitor Mounting Bracket	A-14	Limit Actuator (Traveler)	A-23	RPM Reader Board Bracket
A-6	Wiring Harness	A-15	Down Limit	A-24	Power Cord
A-7	Thermal Block	A-16	Light Socket	A-25	Programming Board
A-8	Motor	A-17	Front Panel	A-26	Back Panel
A-9	Worm Gear	A-18	Wrap Cover Assembly	A-27	Light Lens
A-28	250V 5A Slow-Blow Fuse				

# Rail and Hardware Parts List



B-1	Chain	B-6	Emergency Pull-Cord with Knob	B-11	Straight Door Arm
B-2	Header Bracket	B-7	Trolley Assembly	B-12	Curved Door Arm
B-3	Pulley Assembly	B-8	Chain Tension Assembly	B-13	Door Bracket
B-4	Tube	B-9	Trolley Release Rod	B-14	Sprocket Cover
B-5	Chain Connecting Link	B-10	Trolley Stop	B-15	Well nut and bolt
B-16	Manual Push Button				

# Warranty

## Product: OL4 Sectional Garage Door Opener

This warranty is provided by Steel-Line Automation, hereafter referred to as the manufacturer.

### What is covered under this Warranty

1. When installed by a professional garage door technician in a residential/domestic single-family dwelling with a residential garage door, the manufacturer warrants to the original purchaser:
  - a) that the Product's drive unit will be free from defects in components and workmanship for a period of five (5) years, or 10,000 cycles (each opening & closing action of the garage door equals one cycle), whichever occurs first, from the date of purchase;
  - b) that the electronics and mechanics will be free from defects in components and workmanship for a period of two (2) years;
  - c) that all other components and accessories, including remote controlled transmitters included with the Product will be free from defects in components and workmanship for a period of 12 months.
2. For all Products repaired outside of the warranty period by the manufacturer, a three (3) month warranty will apply to the work that has been carried out.

### What is not covered under this Warranty

1. Batteries, fuses, globes, sensitivity and limit switch adjustment, transmitter and receiver range, labour and travel are not covered under this Warranty.
2. No additional warranty will apply for products repaired during the warranty period.

### Warranty Conditions

1. Sales docket or invoice must be retained to verify proof of purchase and date of installation.
2. A return to base warranty applies and does not cover labour for on-site attendance unless the opener has been installed by the manufacturer. Return to base indicates that the opener must be returned to the manufacturer for repairs or replacement in original or suitably secure packaging.
3. The garage door that the product is used with must be spring balanced in such a way that the user is able to open and close the door by hand with a force no greater than 20kg.
4. The garage door must not weigh more than 200kg.
5. The garage door and the product must be professionally maintained and serviced regularly, in accordance with the instructions provided with the product, as a minimum every 12 months or 1,500 cycles.
6. If the garage door is out of balance, sticks or binds, it must not be used until serviced by a professional garage door technician.
7. It is a condition of this Warranty that the Product must be installed and maintained by a professional garage door technician.
8. If the Product is purchased over the internet from an online reseller the manufacturer accepts no responsibility for determining the suitability of the Product and accepts no responsibility for unauthorised installation. For online purchases the manufacturer will warrant to the original purchaser that all parts of the Product will be free from defects in components and workmanship for a period of 12 months or 1,500 cycles from the date of purchase. All online purchase claims must be directed through the online reseller.

### Making a claim

During the warranty period if you suspect the Product may be defective, contact the retailer that you purchased the product from or contact our technical support team and they will diagnose the issue and arrange for rectification.

### Exclusions to this Warranty

If a warranty claim has been made due to a failure or defect arising under or out of any exclusion detailed below, the manufacturer may charge you a fee to repair, replace and/or return the Product to you.

The manufacturer will not cover any Product failure or defect due to:

1. non-conformity with the instructions concerning installation, maintenance, operation and testing of the Product;
2. installation of the Product in commercial or industrial premises or in a dwelling other than a single-family dwelling;
3. modification, adjustment, repairs or relocation of the Product by an unauthorised person;
4. problems relating to garage door hardware including springs, rollers, hinges, door alignment or other issues associated with lack of proper maintenance by a professional garage door technician;
5. normal wear and tear;
6. use of any imitation or copy remote transmitters with the Product;
7. water damage or condensation that causes corrosion or electrical malfunction;
8. corrosion or problems due to installation within 800m of the sea or body of water of equivalent or greater salt concentration;
9. electrical storms, power strikes, power surges, fire, water, flood, rain or other acts of God;
10. problems caused by blown fuses, replacement of batteries or light bulbs;
11. damage caused by insects or pests;
12. radio or electrical interference;
13. misuse, tampering, neglect, abuse, accidents or damage beyond the manufacturer's reasonable control.

### Liability

Subject only to the provisions of the Trade Practices Act and any legislation of the state or territory wherein the Products of the company shall have been sold or installed (which may confer certain rights on consumers of goods and those rights by such legislation may be rendered incapable of exclusion) this warranty supersedes and excludes all representations, warranties and conditions whether expressed or implied by law and the company shall have no liability or otherwise that herein provided for any loss and damage (including consequential loss and damage, loss of use or profits) by reasons of delay, defective or faulty materials or workmanship, negligence or any act, matter or thing done permitted or omitted to be done by the company.

### Notes:

Our goods come with guarantees that cannot be excluded under the Australian Consumer Law. You are entitled to a replacement or refund for a major failure and compensation for any other reasonably foreseeable loss or damage. You are also entitled to have the goods repaired or replaced if the goods fail to be of acceptable quality and the failure does not amount to a major failure.

*Steel-Line Automation reserves the right to change our warranty, terms and conditions at any time without notice. We will constantly review our warranty and return policy to improve or update new information. Any changes to the policy will be updated on our website warranty page.*

Steel-Line Automation  
27 Clinker Street  
Darra QLD 4076  
line.com.au

Phone: 1300 007 081  
Web: steel-lineautomation.com.au  
Email: automation@steel-line.com.au