

makers
for life

 **Steel-Line**
garage doors



SD800

Sectional Garage Door Opener Installation and Operating Instructions



THIS MANUAL CONTAINS IMPORTANT SAFETY INFORMATION
DO NOT PROCEED WITH THE INSTALLATION BEFORE READING THIS MANUAL THOROUGHLY



Contents

User Information.....	1	Safety Reversal Force Adjustment	10
Important Safety Instructions.....	2	Coding Wireless Transmitters.....	11
Package Contents.....	3	Safety Beam Installation	12
Rail Details	3	Auto-Close Timer	13
Assembly & Installation	4-6	Service Counter.....	14
Control Panel	7	Technical Specifications	15
Programming Instructions.....	8-9	Troubleshooting.....	16
Safety Reverse Test.....	9	Warranty.....	17

User Information

Important Safety Notes:

A garage door is the largest automated moving object in most homes. Care needs to be taken when using this system.

Like any other electrical appliance or machine, it is important to familiarise yourself with the safety guidelines which are applicable to automated garage doors. These are contained at the beginning and throughout this booklet.

The following summary highlights some of these safety guidelines:

- ✓ Only operate the garage door when in full view to ensure people, objects and pets remain away from the door whilst it is moving.
- ✓ Keep all controls away from children and do not allow them to play with the door.
- ✓ Regularly check the door and have it maintained and serviced as per the manufacturers' instructions.
- ✓ Safety beams or an equivalent safety device are recommended for any automated door for additional safety.

Standard Operation of the Door:

If the door is OPENING: When the programmed remote control (transmitter) button is pressed, it will stop the door. The next press will start the door moving in the opposite direction.

If the door is CLOSING: When the programmed remote control (transmitter) button is pressed, it will stop the door. The next press will start the door moving in the opposite direction.

Installation Details:

Installation Date:	
Installed by:	
Telephone Number:	

PLEASE RETAIN YOUR RECEIPT FOR WARRANTY PURPOSES. See page 17 for full Warranty Terms & Conditions.

Important Safety Instructions



FAILURE TO COMPLY WITH THESE SAFETY RECOMMENDATIONS AND LOCAL SAFETY REGULATIONS MAY RESULT IN SERIOUS INJURY, DEATH OR DAMAGE TO PROPERTY.

PLEASE READ CAREFULLY AND ENSURE THAT ALL SAFETY RECOMMENDATIONS AND REGULATIONS ARE CONSIDERED AND ADHERED TO.

Note: It is highly recommended that safety beams are included with all installations. Correctly installed safety beams will prevent the door from closing if a person or object is located within the door area. If the beam is broken during the door's downward travel it will reverse back to the open position.

This accessory must be used for all installations where the closing force is greater than 400N (40kg of force) as measured at the bottom of the door.

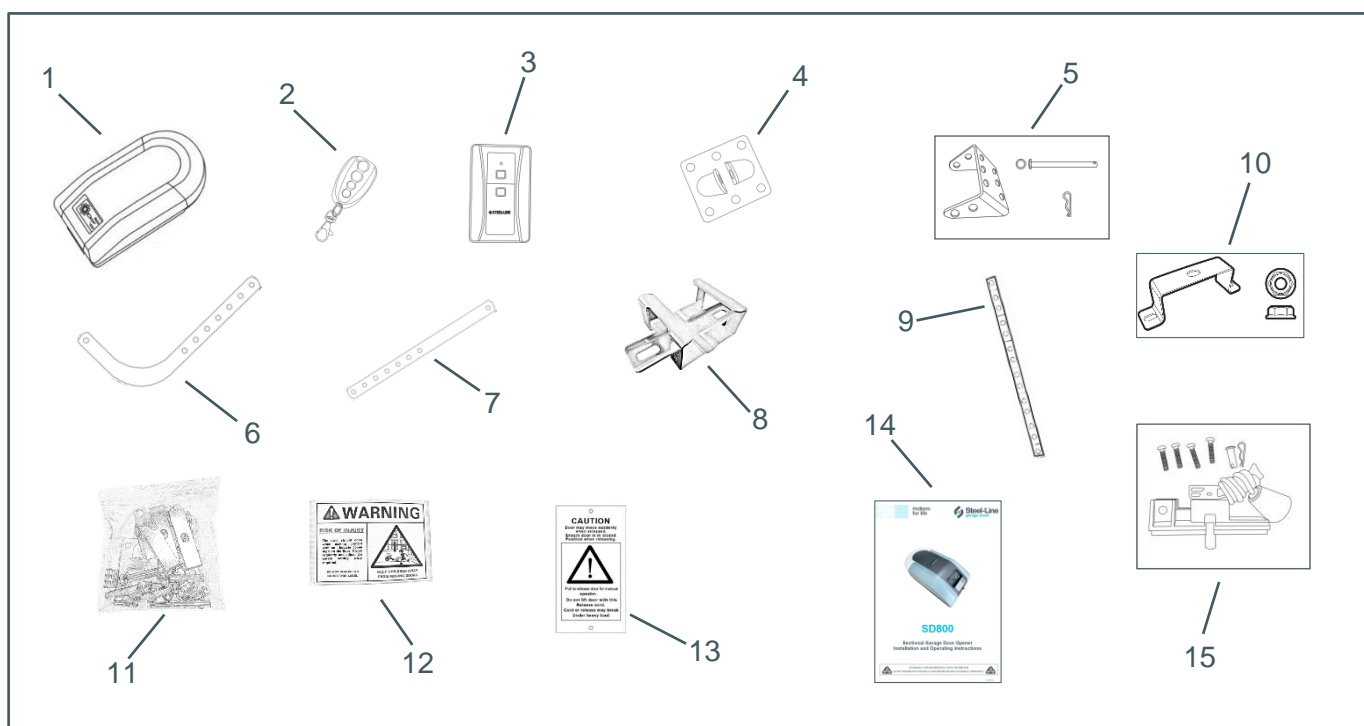
- This appliance is not intended for use by children or persons with reduced physical, sensory or mental capabilities, or lack of experience and knowledge, unless they have been given supervision or instruction by a person responsible for their safety.
- Do not wear watches, rings or loose clothing while installing or servicing a garage door opener. Ensure that gloves, safety goggles and suitable protective clothing is worn where appropriate.
- The opener must not be installed in a wet or damp space exposed to weather.
- The opener must not be used on a door with a wicket door (a door within a door).
- Keep garage door balanced. Do not let the opener compensate for a binding or sticking garage door. Binding, sticking or unbalanced doors must be repaired before installing this opener.
- To avoid serious personal injury from entanglement, remove all ropes, chains and locks connected to the garage door before installing the door opener.
- Installation and wiring must be in accordance with your local building and electrical codes.
- Install the wireless remote control (transmitter) in a location where the garage door is visible, at a height of no less than 1.5m and out of reach of children. Do not allow children to operate push buttons or transmitters. Serious personal injury from a closing garage door may result from misuse of the opener.
- Permanently fasten the Warning Labels in prominent places, adjacent to wall controls and on manual release cord as a reminder of safe operating procedures.
- Ensure that the safety reverse system is tested every month. The garage door must reverse on contact with a 40mm high object placed on the floor. Adjust if necessary and repeat test. Failure to adjust properly may result in serious personal injury from a closing garage door.
- Disconnect electric power to the door opener before making repairs.
- If the supply cord is damaged, it must be replaced by the manufacturer, its service agent or similarly qualified persons in order to avoid hazard.
- Frequently examine the door installation paying particular attention to the cables, springs and mountings for signs of wear, damage or imbalance. Springs and hardware are under extreme tension and a fault can cause serious personal injury. Do not use if repair or adjustment is needed.
- Ensure that the opener is operated only when door is in full view, free of obstructions and the opener is properly adjusted. No one should enter or leave the garage while the door is in motion.
- Do not allow children to play near the door, or with door controls. Keep remotes away from children.
- The door may operate unexpectedly, therefore do not allow anything to stay in the path of the door.
- **SAVE THESE INSTRUCTIONS-** it is important for the safety of persons to follow all instructions.

An emergency key release must be installed if there is no pedestrian door or other access into the garage.

Package Contents

Garage Door Opener:

- (1) SD800 opener/powerhead
- (2) Hand transmitter (2)
- (3) Wall transmitter
- (4) Door bracket
- (5) Lintel/Ceiling bracket
- (6) Curved door arm
- (7) Straight arm
- (8) Fixing bracket
- (9) Hanging bracket (2)
- (10) Rail bracket (2)
- (11) Hardware bag
- (12) Door safety label
- (13) Manual release instruction card
- (14) Installation & operating instructions
- (15) Trolley assembly



Rail Details

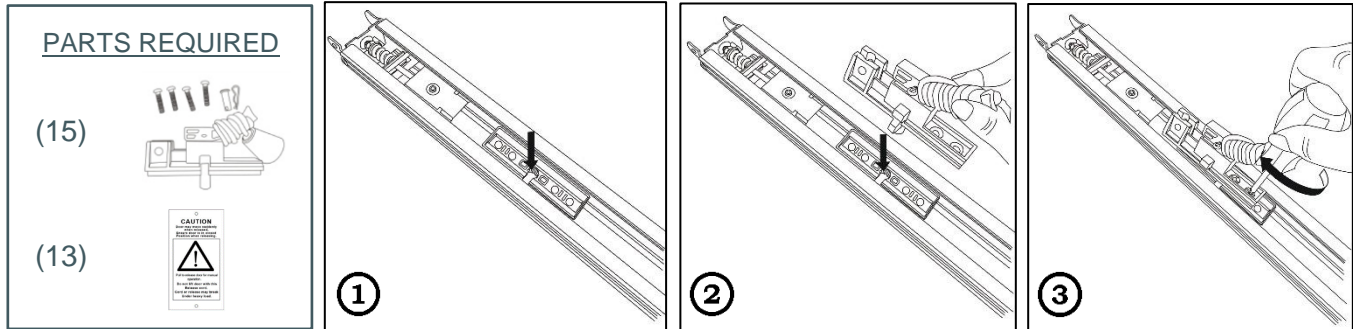
One Piece Belt Rail

RAIL OPTION	DOOR HEIGHT	RAIL LENGTH	CEILING FIXING POINT	OVERALL LENGTH
Rail A	Up to 2500mm	3300mm	3000mm	3330mm
Rail B	Up to 3500mm	4300mm	4000mm	4330mm

Assembly & Installation

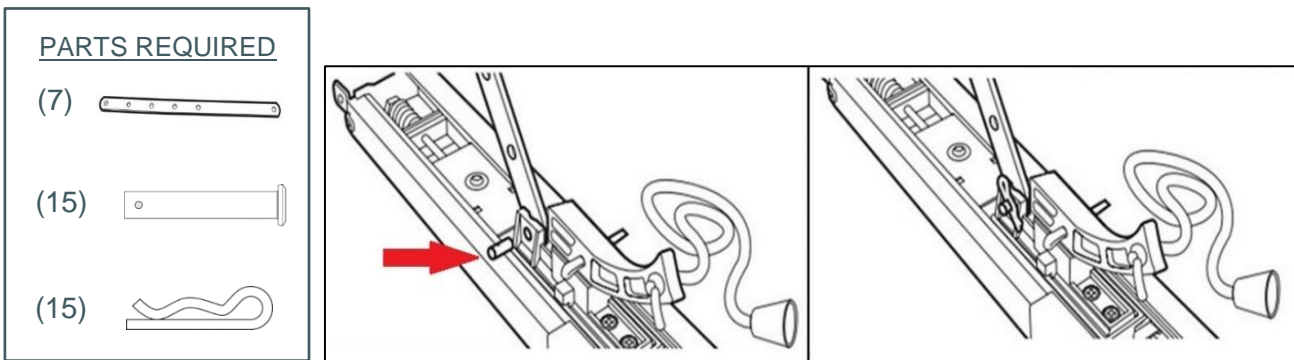
STEP 1. RAIL & TROLLEY ASSEMBLY

Remove packing materials from the rail and retrieve trolley assembly (15) from carton containing the opener. Locate the base section already installed in the rail and using the four screws provided fix the trolley to this section in the rail. Ensure that the manual release instruction card (13) is attached to the manual release cord.



STEP 2.

Attach straight arm (7) to the trolley assembly with the clevis pin (15) and R-clip (15). Slide fixing bracket onto rail at the drive end.

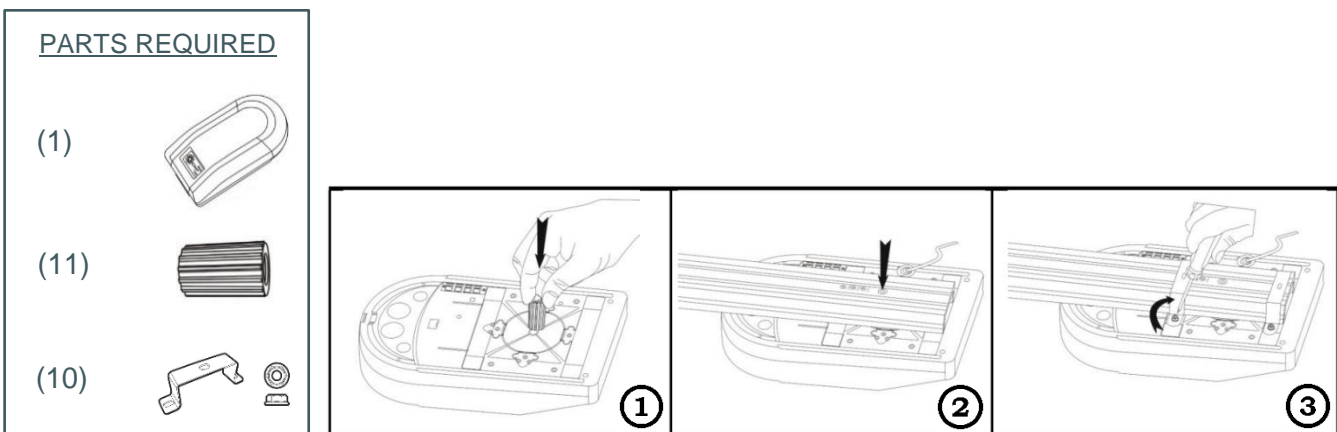


STEP 3.

Adjust the belt tension by adjusting the nut located at the end of the rail assembly. Always ensure that the trolley mechanism is disengaged before adjusting the belt tension. Turn clockwise to tighten and counterclockwise to loosen. Tighten until you remove all the slack in the belt. Do not overtighten but ensure belt is firm.

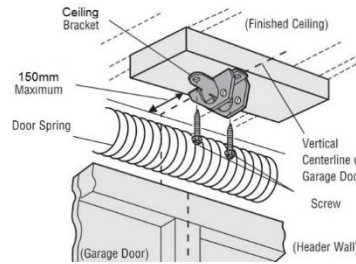
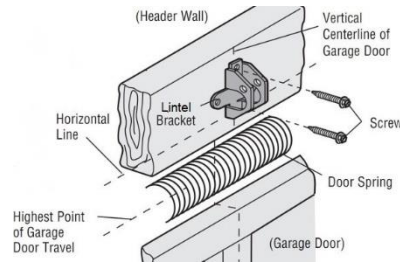
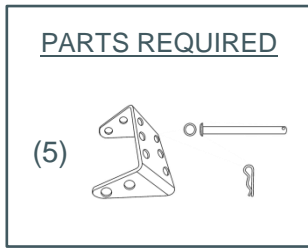
STEP 4.

Insert drive cog (11) onto powerhead (1) shaft. Align rail and powerhead and slide rail over drive shaft. Secure the rail over the opener in either direction (indicated by the arrow on the powerhead) using the two rail brackets (10) and the hex flange nuts.



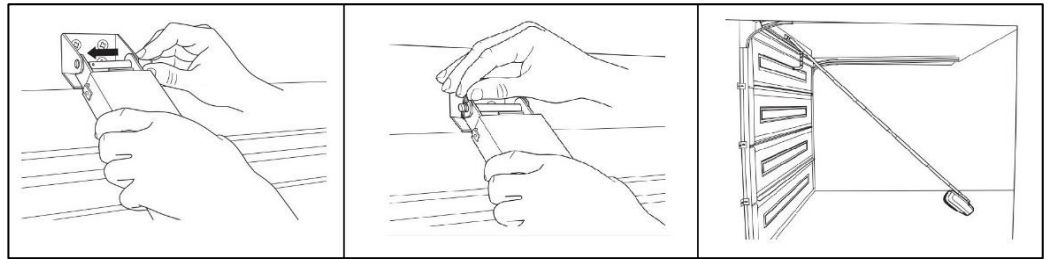
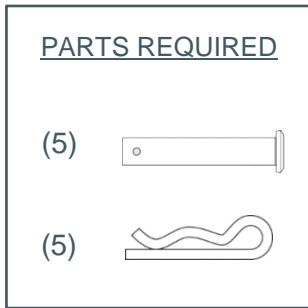
STEP 5.

Install the lintel/ceiling bracket (5). You can attach the lintel bracket either to the lintel above the door (head) or the ceiling. With the door closed, mark the centerline of the door extended onto lintel wall above door with a vertical line. Open door to highest point and draw an intersecting horizontal line on lintel wall at least 50mm above high point to allow for clearance for top edge of the door. Fix lintel bracket into position using the screws provided.



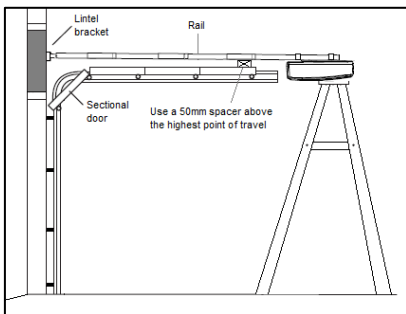
STEP 6.

Attach the rail to the lintel bracket aligning the bracket holes and securing with the long clevis pin (5) and R-clip (5). Use foam packaging as a protective base under the powerhead to prevent damage. You may require help with this step if the door spring is in the way.



STEP 7.

Disengage the trolley mechanism and slide back towards the powerhead securing the straight arm up into the rail assembly, using tape or rope, to avoid a hazard. Raise opener onto support, opening the door completely. Use a 50mm spacer between the door and the rail. The positioning of the rail should be centered over the door, parallel to the horizontal door panels.



STEP 8.

Hang the opener. If mounting directly to ceiling, screw fixing bracket (8) directly into structural support, see Fig. 1. If hanging the opener below the ceiling, bend the hanging brackets (9) provided and secure to both the ceiling and the fixing bracket, see Fig 2. Remove spacer and assembly tools and manually operate door to check for unrestricted operation. If necessary, adjust the manual release cord to no higher than 1.8m from the floor.

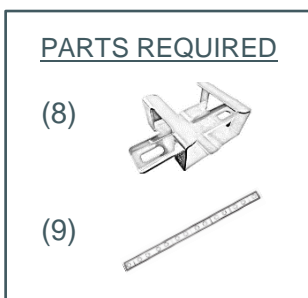
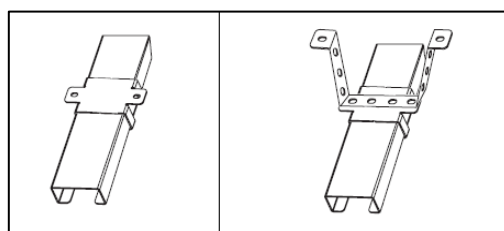


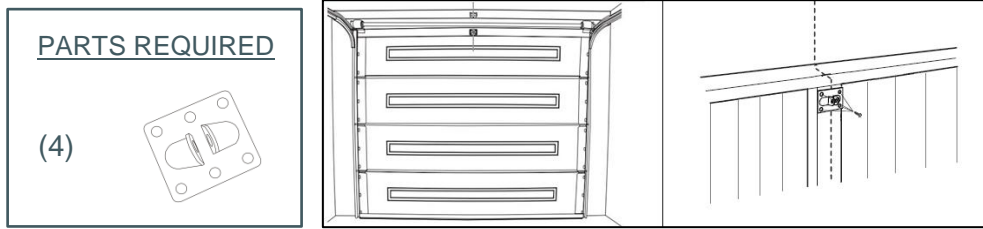
Fig. 1

Fig 2.



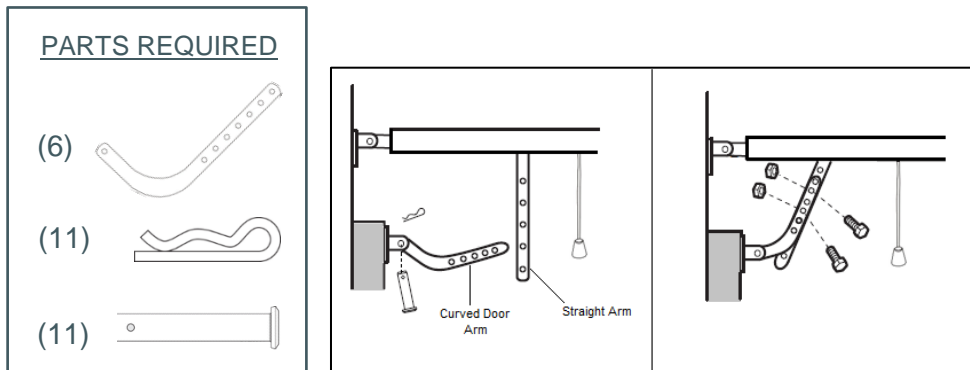
STEP 9.

Fasten door bracket (4) securely to frame or structural support. Bracket should be mounted along the centerline at the top of the panel.



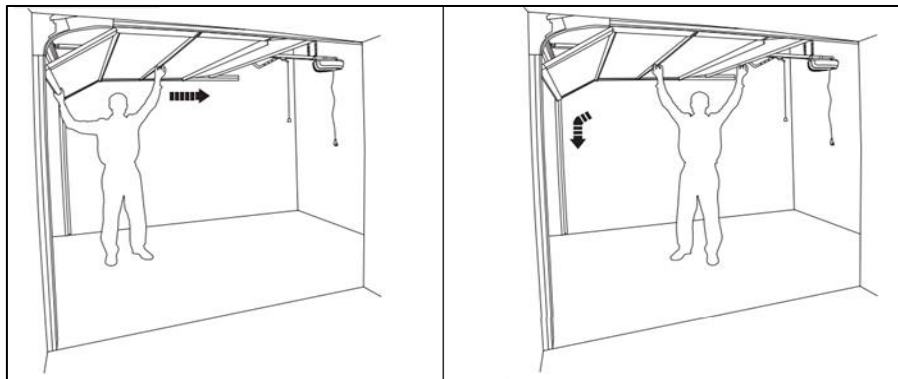
STEP 10.

With door fully closed insert the curved door arm (6) into the door bracket and secure with clevis pin (11) and R-clip (11). With the trolley disengaged bring the straight arm and curved door arm together and secure using the two bolts and nuts provided.

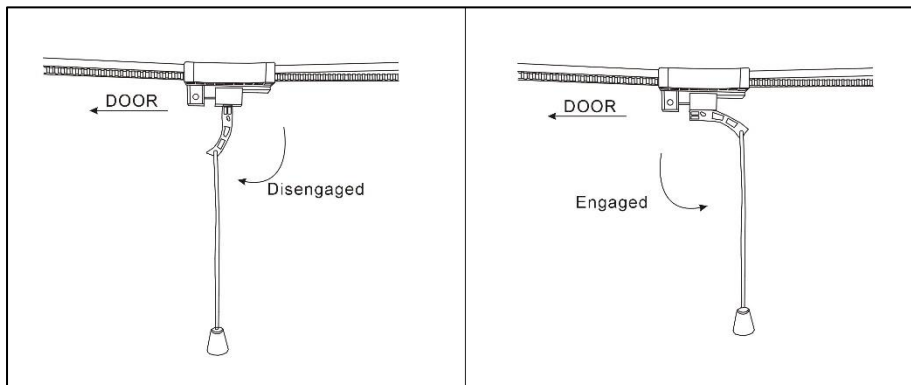


STEP 11.

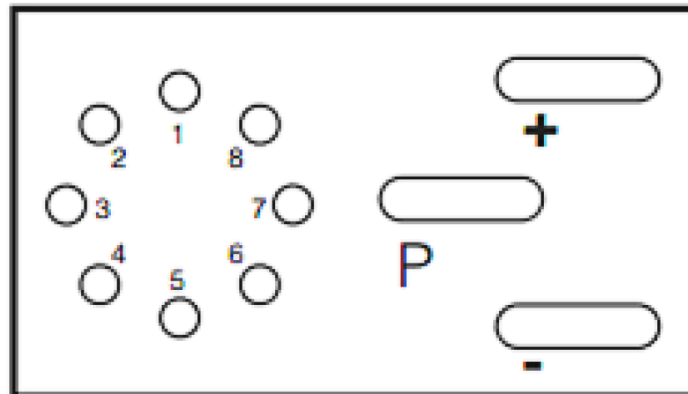
Manually check that the door opens and closes completely and correctly. **Unit is now ready for programming (see page 8).**



Two Stage Trolley- Manual Release Mechanism (if applicable)



Control Panel



Pushbuttons

“P” Button (Programming)

- Initiates programming modes & saves the settings

“+” Button (Up/Open)

- Opens the door
- Increases settings in programming mode

“-” Button (Down/Close)

- Closes the door
- Decreases settings in programming mode

LED Indicator Lights

- Provides visual feedback during programming
- Shows that power is applied to the unit
- Shows the unit is in operating mode

Programming Instructions



- **IMPORTANT-** Before programming the door disengage the trolley and run the door up and down manually to ensure that it runs smoothly and is correctly balanced.
- Do not adjust force to compensate for an incorrectly balanced, binding or sticking door.
- Do not increase force beyond minimum force required for closing door. Too much force will cause improper operation of the safety reversal mechanism.

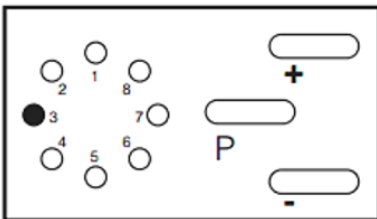
Travel Limit Setting

Travel limits regulate the points at which the door will stop when moving UP or DOWN.

Make sure the trolley is engaged before proceeding and the door is in the closed position

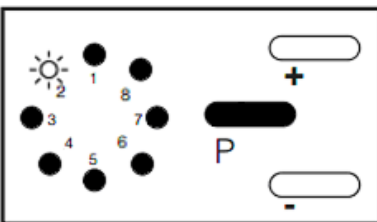
STEP 1.

- ❖ Turn the power on (*LED 3 turns on*)



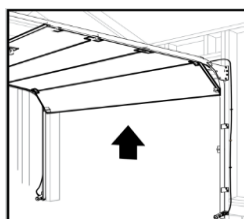
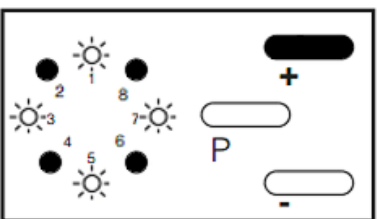
STEP 2.

- ❖ Hold down "P" button for 6 seconds to initiate programming (*LED 2 will begin flashing*)



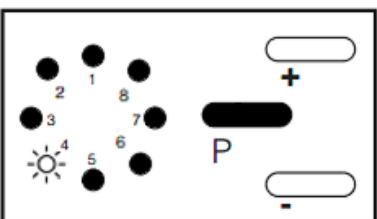
STEP 3.

- ❖ Press and hold the "+" button to bring the door to the desired open position
- ❖ At this point you can make slight adjustments up "+" and down "-" until the door is in the desired position



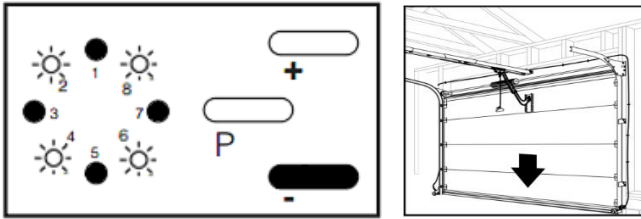
STEP 4.

- ❖ Press the "P" button once to save the open position (*LED 4 will begin flashing*)
- ❖ **The open position is now programmed**

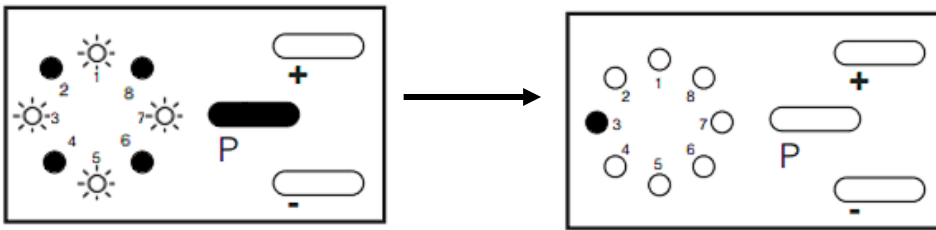


STEP 5.

- ❖ Press and hold the “-” button to bring the door to the desired closed position
- ❖ At this point you can make slight adjustments up “+” and down “-” until the door is in the desired position

**STEP 6.**

- ❖ Press the “P” button once to save the closed position
- ❖ Immediately after pressing the “P” button the door will travel up to the open position and then down to the closed position to automatically set the operating force

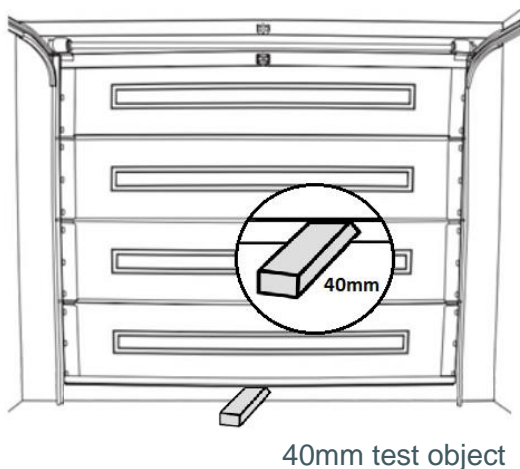


- ❖ The closed position is now programmed, and LED 3 will remain on indicating that the opener is now in normal operating mode.

Note: Open and close the door 4 times to ensure the limits are correctly set. After checking the position, it is important to now test the safety reverse feature, see below.

Safety Reverse Test

It is important that a safety reverse system test is carried out. The garage door must reverse on contact with a 40mm object placed flat on the floor. Incorrect force adjustment can result in serious injury.



Operate the door to the closed position with the object in place under the door. The door must reverse upon contact with the object. If the door stops, but does not reverse, adjust the safety reversal force, see page 10.

Always repeat safety reverse test after adjusting force.

Safety Reversal Force Adjustment



- **CAUTION-** Force settings are **automatically** set during the programming phase, after travel limit setting procedure on pages 8-9.
- Too much force will cause improper operation of the safety reversal mechanism and may cause serious injury. The higher the force is set the less sensitive the opener is to detecting an obstruction.
- Force settings should only be adjusted by a suitable qualified technician.

The force, as measured at the bottom of the door, should not exceed 400N (40kgf). If this force is exceeded safety beams must be installed.

STEP 1. ADJUSTING THE OPEN FORCE

- 1) Hold down "P" button for 6 seconds (*LED 2 will begin flashing*)
- 2) Press the "P" button twice (*LED 6 will begin flashing*)
- 3) Press and release the "+" button to increase the force or "-" button to decrease the force to the desired setting (*the numbers 1 to 8 indicate lowest to highest force setting*)
- 4) Press the "P" button once to save (*LED 1 will begin flashing to indicate the open force is now programmed and you are ready to adjust the close force*)

STEP 2. ADJUSTING THE CLOSE FORCE

- 1) Press and release the "+" button to increase the force or "-" button to decrease the force to the desired setting (*the numbers 1 to 8 indicate lowest to highest force setting*)
- 2) Press the "P" button once to save (*LED 3 will remain on indicating the close force is now programmed*)



OPENER FORCE IS NOW SET

The safety reversal system must now be tested by placing a 40mm high object on the floor and ensuring the door reverses on contact, see page 9. Adjust force again if necessary.

Coding Wireless Transmitters

The two (2) hand transmitters (remotes) and wireless wall switch supplied with your opener are preprogrammed at the factory.

Additional transmitters can be coded as follows:

- 1) Press and hold the "P" and "+" buttons until all lights turn on and LED 7 flashes
- 2) Press the "+" button once (*all LED lights turn off except LED 7*)
- 3) Quickly press and release the required push button on your remote twice (*all LED lights turn on and LED 7 will begin flashing*)
- 4) Press the "P" button once to save (*LED 3 will switch on indicating that the remote has been successfully programmed*)

If you fail to press the transmitter button whilst in coding mode within 7 seconds, the opener will automatically return to standby mode.

Note: A maximum of 10 codes can be learned by the opener. If you want to program another transmitter and the memory is already full the first code will be deleted.

Deleting transmitters:

Note: This procedure will clear all programmed remotes, wireless wall buttons and wireless keypads from the opener.

- 1) Press and hold the "P" and "+" buttons until all lights turn on and LED 7 flashes
- 2) Press and hold the "-" button until LED 7 turns off and begins flashing again
- 3) Press the "P" button once to save (*LED 3 will switch on indicating that all codes have been deleted and that the opener is now in normal operating mode*)

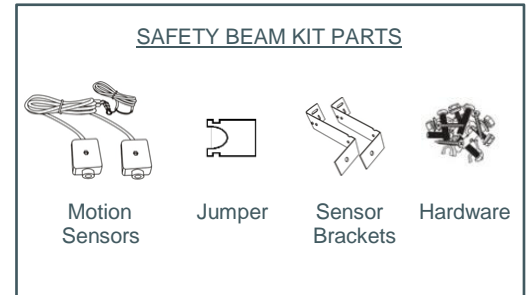
Follow Procedure 1. above to code new transmitters.



IMPORTANT SAFETY NOTICE: After programming opener always conduct a safety check to test safety reversal system, see page 9. Activate the opener only when door is in full view and free of obstruction. No one should enter or leave the garage while the door is in motion.

Safety Beam Installation (Optional Accessory)

Note: This accessory must be used for all installations where the closing force is greater than 400N (40kg of force) as measured at the bottom of the door. It is highly recommended that safety beams are included with all installations. Correctly installed safety beams will prevent the door from closing if a person or object is located within the door area. If the beam is broken during the door's downward travel it will reverse back to the open position. If the beam is broken during the door's upward travel it will stop.



STEP 1.

Install sensor brackets no higher than 100mm from the floor on each side of door (behind tracks), ensuring they do not obstruct the door movement, see Fig 1. Ensure that the lenses are aligned. One sensor is a sending sensor and one sensor is a receiving sensor. Avoid positioning the sensors in direct sunlight as this could interfere with the operation of the safety beams.

STEP 2.

Note: Ensure power is disconnected from opener before continuing.

Run the wire from both sensors back to the opener ensuring that they are well supported and ensuring they don't interfere with the movement of the door. Cut wires to correct length and strip back approximately 10mm. Twist both white wires together and insert into one of the Safety (PE) Beam terminals. Twist both red wires together and insert into the other Safety (PE) Beam terminal. Place the mini jumper on the jumper terminal, see Fig 2. If sensors are correctly aligned both red and green light will be lit and the safety beam installation is now complete.

Fig 1.

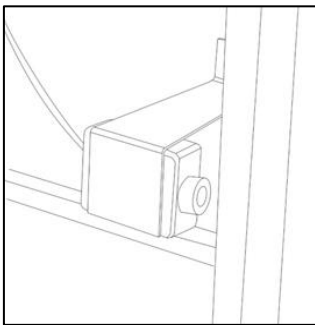
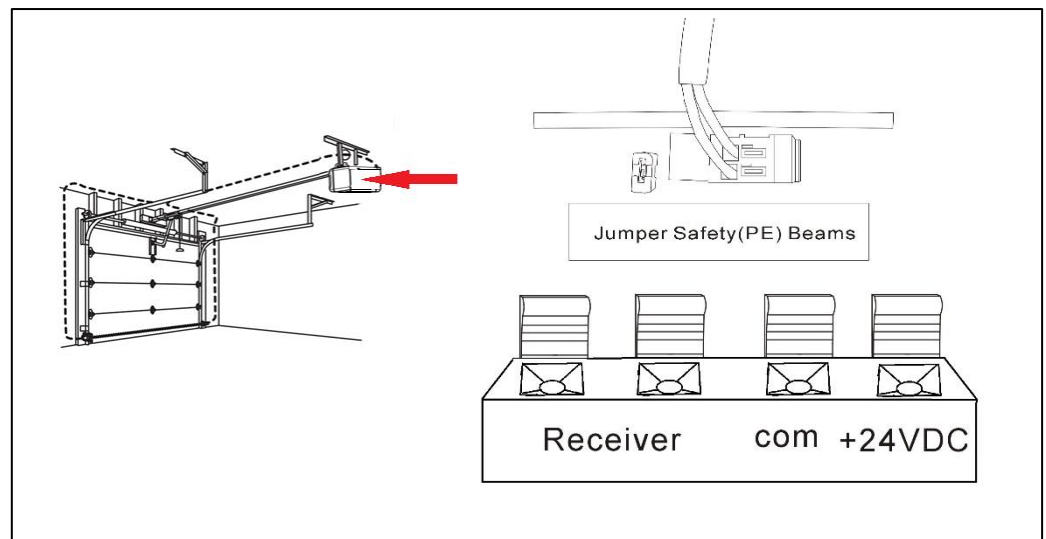


Fig 2.



Auto-Close Timer

Safety Beams must be installed to activate this feature.

When the Auto-Close Timer is enabled the door will close automatically after a preset period of time (2.5 minutes). During the door open waiting period the LED courtesy lights will remain on. If an obstruction is detected during closing, the door will fully open and the Auto-Close Timer will begin again.

To Activate:

- 1) Press and hold the "P" button for 6 seconds (*all LED lights turn on and LED 2 flashes*)
- 2) Press the "P" button once (*LED 4 starts flashing*)
- 3) Press the "P" button once (*LED 6 starts flashing*)
- 4) Press the "P" button once (*LED 1 starts flashing*)
- 5) Press the "P" button once (*LED 8 starts flashing*)
- 6) Press the "+" button once (*all LED lights turn off except LED 8*)
- 7) Press the "P" button once to save (*LED 3 turns on*)

The unit is now in normal operating mode with the Auto-close function enabled.

To Deactivate:

- 1) Press and hold the "P" button for 6 seconds (*all LED lights turn on and LED 2 flashes*)
- 2) Press the "P" button once (*LED 4 starts flashing*)
- 3) Press the "P" button once (*LED 6 starts flashing*)
- 4) Press the "P" button once (*LED 1 starts flashing*)
- 5) Press the "P" button once (*LED 8 starts flashing*)
- 6) Press the "-" button once (*all LED lights turn off except LED 8*)
- 7) Press the "P" button once to save (*LED 3 turns on*)

The unit is now in normal operating mode with the Auto-close function disabled.

Service Counter



IMPORTANT- The garage door and opener must be professionally maintained and serviced regularly in accordance with the instructions provided with the product, as a minimum every 12 months or 1,500 cycles.

This opener is pre-programmed with a service due reminder that will provide an audible indication that a service is recommended after 1,500 cycles.

The opener has the following three (3) service intervals: 1,000 cycles, 1,500 cycles and 3,000 cycles.

The opener will keep count of the number of operating cycles (an open and close of the door equals one cycle). Once the opener reaches the cycle count it will beep eight (8) times, every time you open your door. This audible alarm is a reminder that a professional service is recommended. To reset the cycle count to zero (0) follow the instructions below:

Setting cycle count:

Note: This procedure must be followed in sequence:

- 1) Press and hold the "P" and "-" buttons until there is a long beep, then release (there will be one (1) beep indicating the service counter has been set to 1,000 cycles)
- 2) Press and hold the "P" and "-" buttons until there is a long beep, then release (there will be two (2) beeps indicating the service counter has been set to 1,500 cycles)
- 3) Press and hold the "P" and "-" buttons until there is a long beep, then release (there will be three (3) beeps indicating the service counter has been set to 3,000 cycles)

After eight (8) seconds the cycle count will be saved and you can operate your door as normal. To reset at any time, follow the sequence above to select the new cycle count.

Is your opener beeping eight (8) times every time you open your door?

This is an important reminder that a professional garage door service is recommended to keep your garage door and opener in optimal condition. A poorly maintained door can cause property damage and result in serious or fatal injury. Failure to properly maintain your garage door and opener may void your warranty.

Please contact the company that installed your opener. You can usually find their contact details on a sticker affixed to the back of your garage door.

Technical Specifications

Opener Specifications

Electrical Input	240V, 50Hz
Standby Power	4W
Travel Time	120mm/s
Max Door Weight	110kg
Spring Balanced Weight	20kg
Max Door Area	12m ²

Motor

Type	24V DC
Max Driving Force	800N

Dimensions

Dimensions (Powerhead)	390mm (L) x 210mm (W) x 120mm (H)
Length (overall inc rail)	Rail A: 3330mm, Rail B: 4330mm
Weight (Powerhead)	4kg

Safety

Personal	Push button stop in UP and DOWN direction. Automatic safety reversal on closing and stop on opening.
Electronic	Automatic force adjustment
Limit Adjustment	Electronic
Feature	Soft start/stop

Courtesy Light

Type	LED
Lighting Time	6 minutes

Transmitter

Frequency	433.92Mhz
Coding Type	Rolling Code
Memory Register	10 handset codes
Operation Range	35m approx.
Battery	12V (A27)

Troubleshooting

The opener does not work from either door control or remote hand transmitter.	<ul style="list-style-type: none"> • Does the opener have power? • If there is no light, check the fuse box or circuit breaker. • Check plug and contact an electrician if the power point is faulty.
Opener operates from door control but not from remote hand transmitter.	<ul style="list-style-type: none"> • Opener antenna is loose or not extended. • There may be interference nearby. • Flat battery. If necessary, replace battery in remote. • Follow procedure on page 11 to reprogram your remote.
Remote hand transmitter has short range.	<ul style="list-style-type: none"> • If necessary, replace battery in remote. • Change location of remote control in the car. • A metal garage door, foil insulation or metal side walls will reduce the transmitter range.
The door opens and closes by itself.	<ul style="list-style-type: none"> • Check to ensure that remote push button is not stuck on. • Delete all transmitter codes, see page 11. • Reprogram each remote to the opener, see page 11.
The door automatically reverses to the open position before closing completely.	<ul style="list-style-type: none"> • If door is not correctly balanced call a garage door professional to correct the problem. • Re-set the travel limits, see pages 8-9. • Increase the safety reversal force, see page 10.
Door stops but does not close completely.	<ul style="list-style-type: none"> • Reset the travel limits, see pages 8-9. • Repeat safety reverse test.
The opener runs, but the carriage does not move.	<ul style="list-style-type: none"> • Check the carriage is not disengaged from the opener. • Operate the opener to re-engage the trolley.
Opener strains during operation.	<ul style="list-style-type: none"> • Door may be unbalanced or may have a broken spring. • Close door and disengage carriage to test operation manually. • A properly balanced door should remain at any point of travel, being supported entirely by its springs. If it does not, call a garage door professional to correct the problem.
Opener will not activate due to power failure.	<ul style="list-style-type: none"> • Pull manual release handle/rope down to disconnect trolley. • Operate door manually until power is restored. • When power is restored, re-engage the trolley.
The opener beeps 8 times every time the door is opened.	<ul style="list-style-type: none"> • Your garage door/opener is now due for a service. Refer to page 14 and contact a garage door professional to carry out a service.

Warranty

Product: SD800 Sectional Garage Door Opener

This warranty is provided by Steel-Line Garage Doors, hereafter referred to as the manufacturer.

What is covered under this Warranty

1. When installed by a professional garage door technician in a residential/domestic single-family dwelling with a residential garage door, the manufacturer warrants to the original purchaser:
 - a) that the Product's drive unit will be free from defects in components and workmanship for a period of five (5) years, or 10,000 cycles (each opening & closing action of the garage door equals one cycle), whichever occurs first, from the date of purchase;
 - b) that the electronics and mechanics will be free from defects in components and workmanship for a period of two (2) years;
 - c) that all other components and accessories, including remote controlled transmitters included with the Product will be free from defects in components and workmanship for a period of 12 months.

For all Products repaired outside of the warranty period by the manufacturer, a three (3) month warranty will apply to the work that has been carried out.

What is not covered under this Warranty

1. Batteries, fuses, globes, sensitivity and limit switch adjustment, transmitter and receiver range, labour and travel are not covered under this Warranty.
2. No additional warranty will apply for Products repaired during the warranty period.

Warranty Conditions

1. Sales docket or invoice must be retained to verify proof of purchase and date of installation.
2. A return to base warranty applies and does not cover labour for on-site attendance unless the opener has been installed by the manufacturer. Return to base indicates that the opener must be returned to the manufacturer for repairs or replacement in original or suitably secure packaging.
3. The garage door that the Product is used with must be spring balanced in such a way that the user is able to open and close the door by hand with a force no greater than 20kg.
4. The garage door must not weigh more than 110kg.
5. The garage door and the Product must be professionally maintained and serviced regularly, in accordance with the instructions provided with the Product, as a minimum every 12 months or 1,500 cycles.
6. If the garage door is out of balance, sticks or binds, it must not be used until serviced by a professional garage door technician.
7. It is a condition of this Warranty that the Product must be installed and maintained by a professional garage door technician.
8. If the Product is purchased over the internet from an online reseller the manufacturer accepts no responsibility for determining the suitability of the Product and accepts no responsibility for unauthorised installation. For online purchases, the manufacturer will warrant to the original purchaser that all parts of the Product will be free from defects in components and workmanship for a period of 12 months or 1,500 cycles from the date of purchase. All online purchase claims must be directed through the online reseller.

Making a claim

During the warranty period if you suspect the Product may be defective, contact the retailer that you purchased the Product from or contact our technical support team and they will diagnose the issue and arrange for rectification.

Exclusions to this Warranty

If a warranty claim has been made due to a failure or defect arising under or out of any exclusion detailed below, the manufacturer may charge you a fee to repair, replace and/or return the Product to you.

The manufacturer will not cover any Product failure or defect due to:

1. non-conformity with the instructions concerning installation, maintenance, operation and testing of the Product;
2. installation of the Product in commercial or industrial premises or in a dwelling other than a single-family dwelling;
3. modification, adjustment, repairs or relocation of the Product by an unauthorised person;
4. problems relating to garage door hardware including springs, rollers, hinges, door alignment or other issues associated with lack of proper maintenance by a professional garage door technician;
5. normal wear and tear;
6. use of any imitation or copy remote transmitters with the Product;
7. water damage or condensation that causes corrosion or electrical malfunction;
8. corrosion or problems due to installation within 800m of the sea or body of water of equivalent or greater salt concentration;
9. electrical storms, power strikes, power surges, fire, water, flood, rain or other acts of God;
10. problems caused by blown fuses, replacement of batteries or light bulbs;
11. damage caused by insects or pests;
12. radio or electrical interference;
13. misuse, tampering, neglect, abuse, accidents or damage beyond the manufacturer's reasonable control.

Liability

Subject only to the provisions of the Trade Practices Act and any legislation of the state or territory wherein the Products of the company shall have been sold or installed (which may confer certain rights on consumers of goods and those rights by such legislation may be rendered incapable of exclusion) this warranty supersedes and excludes all representations, warranties and conditions whether expressed or implied by law and the company shall have no liability or otherwise that herein provided for any loss and damage (including consequential loss and damage, loss of use or profits) by reasons of delay, defective or faulty materials or workmanship, negligence or any act, matter or thing done permitted or omitted to be done by the company.

Notes

Our goods come with guarantees that cannot be excluded under the Australian Consumer Law. You are entitled to a replacement or refund for a major failure and compensation for any other reasonably foreseeable loss or damage. You are also entitled to have the goods repaired or replaced if the goods fail to be of acceptable quality and the failure does not amount to a major failure.

Steel-Line Garage Doors reserves the right to change our warranty, terms and conditions at any time without notice. We will constantly review our warranty and return policy to improve or update new information. Any changes to the policy will be updated on our website warranty page.

Steel-Line Automation
27 Clinker Street
Darra QLD 4076

Phone: 1300 007 081
Web: steel-lineautomation.com.au
Email: automation@steel-line.com.au