

# SPECIFICATION AND INSTALLATION INSTRUCTIONS



Opening doors around the world

Made under license Aust Patent No. 413178 and Patent Application No. 483904

## SERIES 'A' & 'AA' CONTINUOUS CURTAIN ROLLER DOORS For all popular sizes of garage openings

Your Gliderol Roller door is designed to highest engineering standards and manufactured from high quality materials. If it is installed in accordance with the instructions given in this manual it will give many years of service with a minimum of maintenance.

**Warning!** No guarantee will be given or responsibility accepted by the manufacturer if the door is not installed by an authorised Gliderol Installer.

**PLEASE FOLLOW THE INSTRUCTIONS CAREFULLY**

**GLIDEROL GARAGE DOORS**  
**32 Jacobsen Crescent Holden Hill SA 5088**  
**Phone (08) 8261 9633 Fax (08) 8261 9700**

### Branches

**Victoria:** Gliderol Garage Doors, 23 Kitchen Rd, Dandenong, VIC 3175. Phone: 03 97935455 Fax: 03 9706 8492

**NSW:** Gliderol Garage Doors, 45 Sammut St, Smithfield, NSW 2164. Phone: (02) 9725 1033 Fax: (02) 9725 1115

**Queensland:** Gliderol Garage Doors, 241 Elliott road Banyo, QLD 4014. Phone: 07 3260 9000 Fax: 07 3260 9055

**Western Australia:** Gliderol Garage Doors, 21 Prindiville Dr, Wangara, WA 6065. Phone: 08 94093000 Fax: 08 94093200

**New Zealand:** Gliderol Garage Doors, 12 Cape Hill Road, Pukekohe, Auckland NZ. Phone: 09 835 0211 Fax: 09 237 0440

**UK:** Gliderol Garage & Industrial Doors Ltd. 1 Davy Drive, North West Industrial Estate, Peterlee Co, Durham, SR8 2JF UK. Phone: 1915 18 0455 Fax: 1915 18 0548

## 1 PREPARATION

Remove all parts. **THE WRAPPING HOLDING THE DOOR MUST NOT BE CUT AT THIS STAGE.**

The doors are positioned inside the opening and, therefore, overlap the opening on **each side** by 25mm for series A and 50mm for Series AA doors. A minimum of 75mm is required between the opening and the side wall for Series A doors, 150mm for Series AA.

Before commencing, measure both the opening and the door curtain and mark the overlap on the wall to facilitate the fixing of brackets and guides.

## 2 AFFIXING MOUNTING BRACKETS

The minimum headroom required between the underside of the rafters and the top of the opening is 400mm for Series A doors and 450mm for Series AA doors.

Firmly secure one of the mounting brackets with appropriate fixings for the material you are fixing to, (Refer table 2.0 for maximum pull out strength requirements while selecting fixings). It is important that the outside face (smooth side) of the angle brackets faces the side wall of the garage.

The clearance on either side between the door curtain and mounting brackets is 10mm minimum and 100mm maximum. (Manual Doors Only)

The top of the bearing surface of the mounting brackets should be 150mm from the top of the opening, and 250mm minimum from the underside of the rafters. In the event of shallower headroom, the 250mm dimensions must be maintained. Shallower headroom's down to 300mm can be maintained, but will result in the underside of the rolled up door showing when the door is in the open position.

The second mounting bracket should then be positioned. The use of a line level or spirit level and straight edge is recommended as IT IS VITAL THAT THE BRACKETS ARE EXACTLY LEVEL WITH EACH OTHER, otherwise the door will not sit square. The minimum 250mm dimension must be maintained.

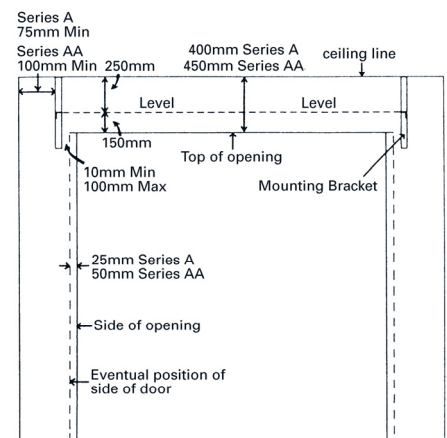
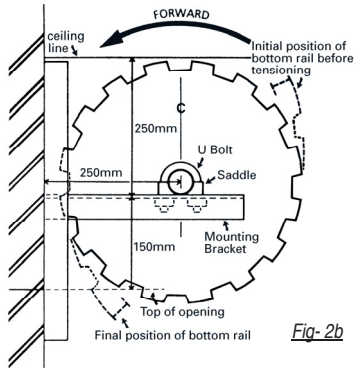


Fig-1

### 3 POSITIONING THE DOOR

First make sure the axle is centered within the curtain roll. Place the rolled up door on the mounting brackets and centre the axle approximately 250mm from the front wall, ensuring that the door is centralized with the opening. **N.B** If the side clearance for the axle is insufficient, cut EACH END of the axle. IT IS IMPORTANT THAT THE AXLE IS NOT CUT TOO SHORT.



Ensure that the door is placed in the correct way round on the brackets. The sketch illustrates the relative position of the bottom rail.

Secure the axle to the mounting brackets with the U Bolts. LOCK TIGHTLY using washers under the nuts. Spring tension will be lost if the axle is not firmly clamped.

Tension should now be applied to the spring by rotating the door about 1 1/2 times in a forward direction, as shown. The amount of tension required to give the best operation may vary with individual doors. Final adjustment should be made on completion of the job.

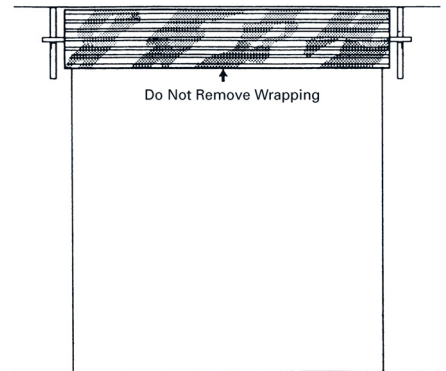


Fig-2a

### 4 UNROLLING THE DOOR

Hold the door in its tensioned position and remove the wrapping which holds the door in a roll. It is important that the door is held firmly at this stage to prevent loss of tension. Pull the door partly down.

**N.B.** THE DOOR MAY HAVE A STRONG TENDENCY TO RISE WHICH, IF UNCONTROLLED, CAN CAUSE DAMAGE.

Affix the lifting handle in the centre of the aluminium bottom rail and allow the door to rise slowly, the handle acting as a door stop against the lintel. If the lifting handle will not engage the lintel for any reason, use a piece of soft timber as a chock, approximately 450mm long, and place it between the bottom rail and the drum, as shown, taking care not to damage the door.

On Series AA doors only, fit the left and right handed nylon guide stop blocks to the aluminium bottom rail by sliding them beneath the Polyglide wearing strips and securing the gutter bolts, ensuring the head of the gutter bolt is on the outside of the door.

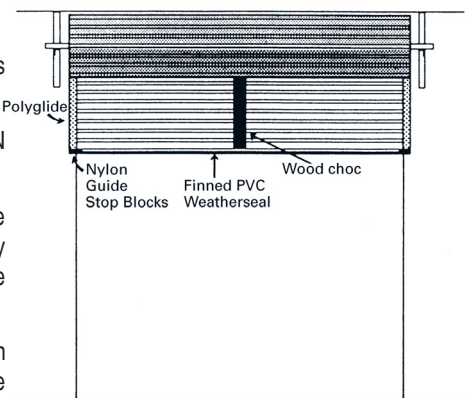


Fig-3

**N.B.** When lifting the Polyglide, ensure that the PVC finned weatherseal remains in position.

### 5 FIXING THE SIDE TRACKS

Carefully remove the wood chock, if used. Ensure that the door curtain is rolled up evenly and centered on the opening.

Should the door be coned due to movement in transit, then the door curtain should be carefully unrolled to its full extent and rolled back evenly before continuing, making sure the curtain is no longer in a coned position.

Clean the side tracks with a spirit cleaner.

The top of the tracks should be splayed, to ensure the curtain feeds in without obstruction and any rough edges taken out with a file.

The bottom of the side tracks must be at finished floor line. If the floor is slightly out of level, always work from the higher side first. The top of the tracks (splayed end) should be level with the top of the bearing surface of the mounting brackets.

Cut one side track to the correct length if necessary, at the bottom. Slide fixing lugs on.

Slide the track on to the door curtain, allowing 4mm clearance. Hold the guide in position against the wall and mark the location of the top lug holding screw (**For Series A doors only: slide the guide stop between the slots in the guide as shown in fig. 4a and mark the location of the guide stop holding screw in any one of the holes depending upon the best position on the brick**). USING A SPIRIT LEVEL TO ENSURE THAT THE SIDE TRACK IS ABSOLUTELY VERTICAL, fix the track in position by means of the adjustable lugs and coach screws ensuring that they are evenly spaced, with the bottom lug approximately 200mm from the floor.

Similarly, cut the second track to the correct length, if necessary and repeat previous step ensuring that the side track is ABSOLUTELY VERTICAL.

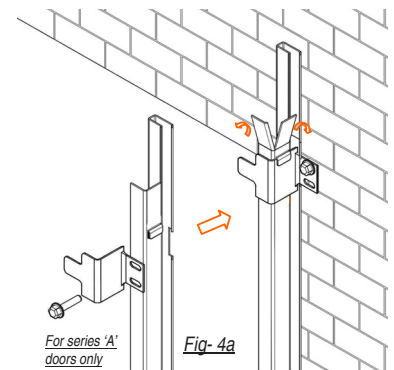


Fig-4a

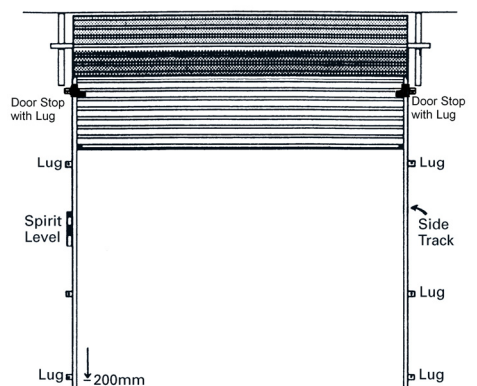


Fig-4b

## 6 FINAL ADJUSTMENTS

Adjust tracks for clearance, if necessary.

Adjust door for tension, if necessary (see sketch).

If door does not roll up evenly and squarely, move the axle sideways on the mounting brackets until the door rolls up correctly. Hold axle in the same way as described for tensioning, and re-tighten U Bolts.

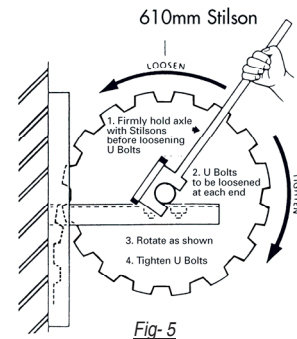


Fig-5

## 7 FITTING LOCKING BAR

With the door closed, and firmly seated on the floor, mark a point of contact between the locking bar and side tracks. Drill a series of holes and file out the guide slot. A neat fit will minimise vibration and maintain efficiency of weatherseal.

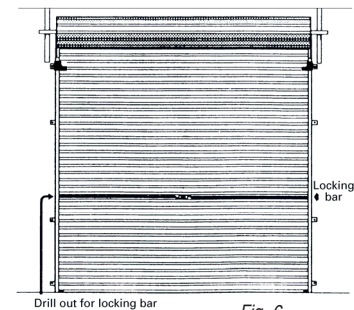


Fig-6

## MAINTENANCE

**Roller Door Curtain:** Gliderol roller door curtain is made up of colorbond prepainted steel which is highly durable and decorative finish. For maintenance regularly wash the curtain by fresh, clean water to enhance its life and maintain attractive finish. If this method does not remove all the dirt adhered on the surface please follow below procedure

- Wash the surface of the roller door curtain with a mild solution of pure soap or mild non-abrasive kitchen detergent in warm water.
- Application should be with a sponge, soft cloth or soft bristle nylon brush, and should be gentle to prevent shiny spots.
- The roller door curtain surface should be thoroughly rinsed with clean water immediately after cleaning to remove traces of detergent.

**Caution:** Never use abrasive or solvent type cleaners like turpentine's, petrol, kerosene, paint thinners to clean roller door surface as it may ruin the paint.

**Visual Inspection:** Conduct visual inspection of mounting brackets, springs, tracks, Guide lugs, fasteners, drive unit cables, weatherseal etc. for any wear and tear at least once in every six months

- Springs should be lubricated using grease once in six months for proper functioning of the door and locking mechanism should be twice a year with general purpose oil or motor oil.
- As Polyglide is self lubricated it is important **NOT** to lubricate the guides. It is advised from time to time to clean the guides with spirit cleaner and polish with car polish. **IMPORTANT: DO NOT LUBRICATE GUIDE TRACKS.**

**Door Balance:** The roller door should be perfectly balanced for optimum performance and power consumption (for electric operation). Perform door balance test regularly at least once in six months to increase the efficiency of the roller door

- Fully close the door
- If the door is operated electrically put it to manual operation by pulling the manual release pin (refer owners manual).
- Lift the door manually to waist height, say one metre above the floor level you should be able to lift the door with little effort and the door should stay open at that position.
- If the door does not stay at that position (one metre) implies the door is out of balance. Get the door balanced by a Gliderol authorized service agent.

## PAINTING

Although the rust proofed Gliderol Garage Doors does not require painting, it is recommended that if decorating is desired painting be carried out immediately after installation.

Table- 1.0

Total Weight of Gliderol Doors in Kilograms (Standard Profile)												
Door Size Height (mm)	Width of Door (mm)											
	<-----'A' Series----->							<-----'AA' Series----->				
	2490	2650	2800	3000	3050	3430	3710	3760	4370	5100	5200	5600
Upto 2100	53	55	57	61	63	69	74	97	109	123	128	136
2101 - 2400	62	65	68	71	74	82	87	99	110	125	130	137
2401 - 2695	62	65	68	72	75	82	88	113	127	143	149	158
2700 - 3000	79	83	86	91	97	106	112	129	143	160	162	182

**Table- 2.0**

MAXIMUM PULL OUT FORCE in Kilo Newton (KN)												
Door Size Height (mm)	Width of Door (mm)											
	'A' Series Bracket							'AA' Series Bracket				
	2490	2650	2800	3000	3050	3430	3710	3760	4370	5100	5200	5600
Upto 2100	1.43	1.49	1.56	1.65	1.74	1.91	2.04	1.50	1.68	1.92	2.03	2.15
2101 - 2400	1.65	1.76	1.85	1.95	2.04	2.25	2.42	1.50	1.68	1.92	2.03	2.15
2401 - 2695	1.65	1.76	1.85	1.95	2.04	2.25	2.42	1.71	1.95	2.22	2.22	2.48
2700 - 3000	2.25	2.25	2.30	2.48	2.70	2.94	3.12	1.95	2.19	2.48	2.70	2.85

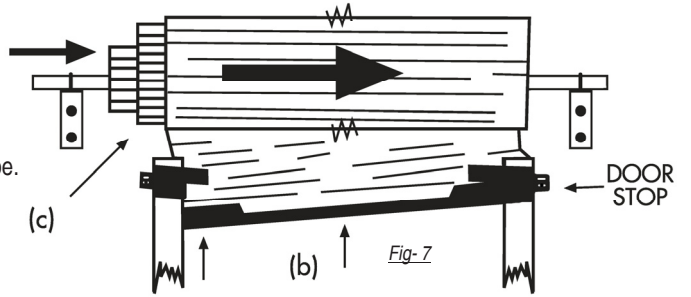
**INSTALLATION FAULTS AND REMEDIES**

**FAULTS**

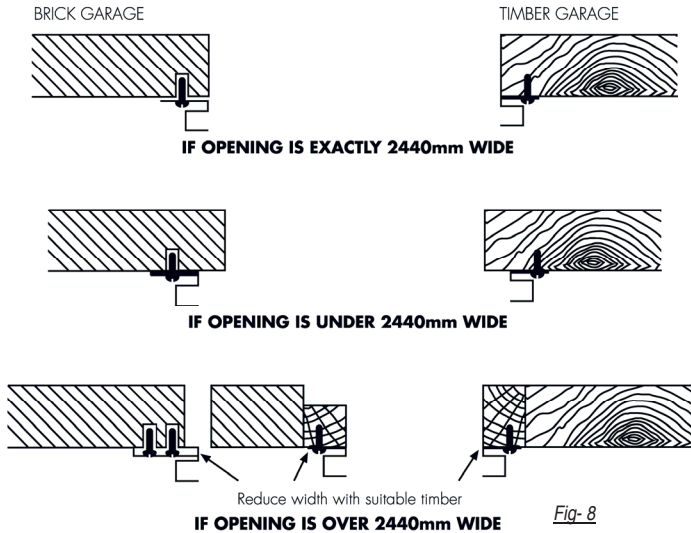
1. Door hard to operate in one direction.
2. Door hard to operate in both directions.
3. a) Door rolls up crooked.  
b) Bottom rail of door rolls up out of parallel with roll of door.  
c) Edge of roll is not flush, i.e. Door is rolling up in a spiral or cone shape.
4. Door is stiff to work and rattles over lead in top of guides.

**REMEDIES**

1. Adjust spring tension.
2. Check guide clearance (see that door is not jamming).
3. For (i), (ii) and (iii):  
(1) Check level of brackets.  
(2) Axle may not be in centralized position - follow steps to adjust spring tension up to where it states axle can be rotated. Do not rotate unless spring tension is to be changed. While still retaining firm holding on axle, axle should be tapped in the direction of the spiraling (see diagram). Move no more that 10mm at a time. Then follow steps and secure axle.
4. (1) Check that guides are not too long.  
(2) Loosen one 'U'-bolt and push that side of door towards opening as far as possible, without scraping lintel. Tighten 'U'-bolt and repeat operations with other side, ensuring that axle is still parallel with opening.

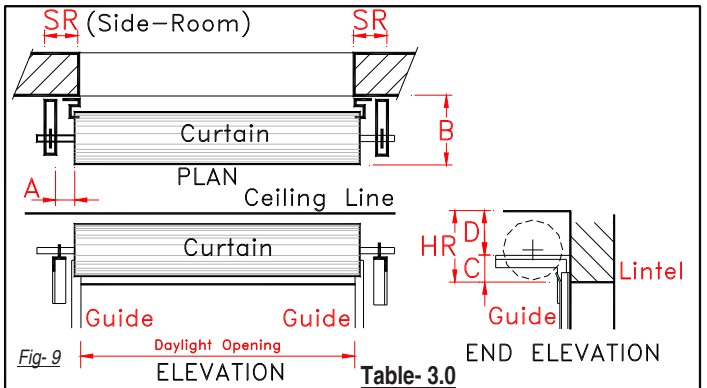


**FITTING STANDARD 2100mm x 2490mm DOOR**



**NOTE:** The measurements above are only applicable to a 2490mm wide Roller door only. The same method of fitting applies to doors of all other widths

**DOOR CLEARANCES & DIMENSIONS**



DIMENSION PANEL (minimum sizes) mm							
SERIES A (Hand Operated)	SR		HR	A	B	C	D
	Resid.A	Resid.AA					
2100 HIGH	90	125	430	25-100	500	150	280
2400 HIGH	90	125	450	25-100	540	160	290
2700 HIGH	90	125	450	25-100	540	160	290
3000 HIGH	90	125	470	25-100	560	170	300
STANDARD CURTAIN WIDTHS							
Residential Series A				950,1250,1550,1850,2450,2490,2515,2650,2750,2800,3050,3100,3430,3710			
Residential Series AA				3760,4310,5000,5100			
CURTAIN WIDTH							
Residential Series A				Daylight Opening Plus 50mm			
Residential Series AA				Daylight opening plus 100mm			

**Important Note:** The fixings to the bracket supplied in the parts bag is specifically for timber fix only. If the bracket is to be fixed to brick or other members the installer should find the right fixing by referring to table 2.0 for maximum pull out strength requirements. Gliderol warranty voids and no responsibility accepted by the manufacturer if the door is not installed as per the installation instructions.