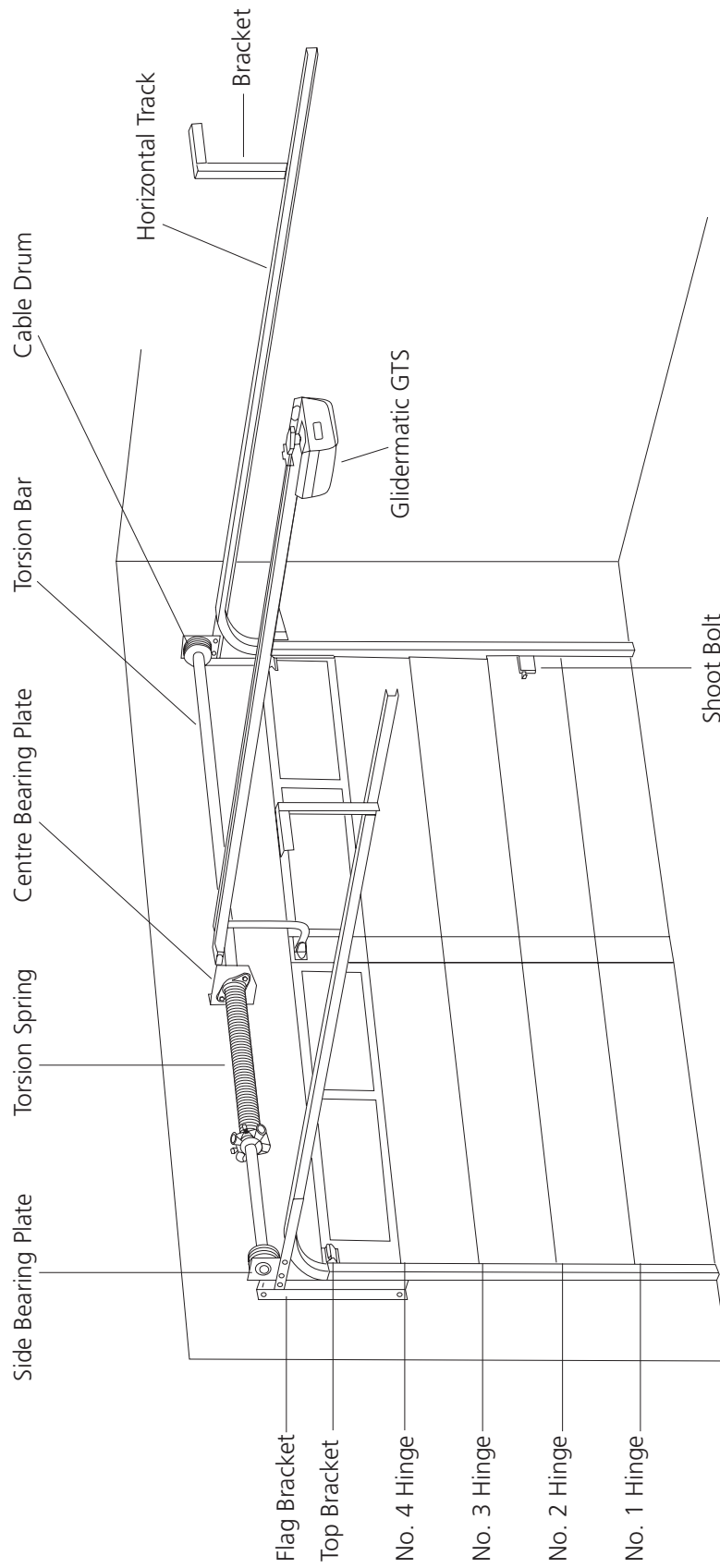




Panel·Glide™ Installation Instructions



Torsion Door Mechanism



Step 1

Stand door panel upright central to garage door opening. Ensure that there is an even overlap on either side. Mark a point 10mm past either end. Using a straight edge pencil a vertical line on both sides of the opening.

IMPORTANT make sure that the floor is level. If the floor is not level pack door and vertical tracks to level.

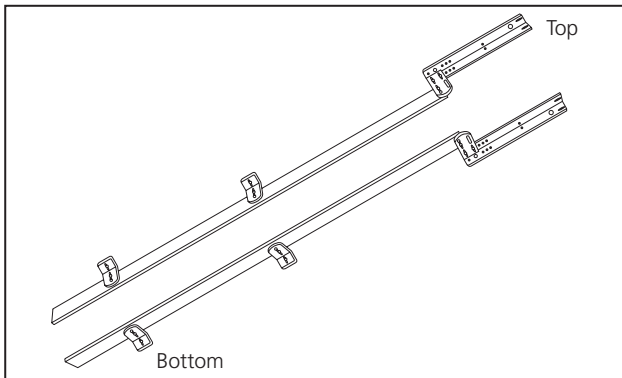


Fig. 1

INSTALLING VERTICAL TRACKS

Step 2

Loosely fasten the wall fix brackets to each vertical track using the 1/4" x 5/8" screws and nuts as shown. The screw heads must be inside the track. The smaller wall bracket is fixed to the bottom of the track, with the larger bracket above. **IMPORTANT** ensure the flat edge of the track is facing the wall.

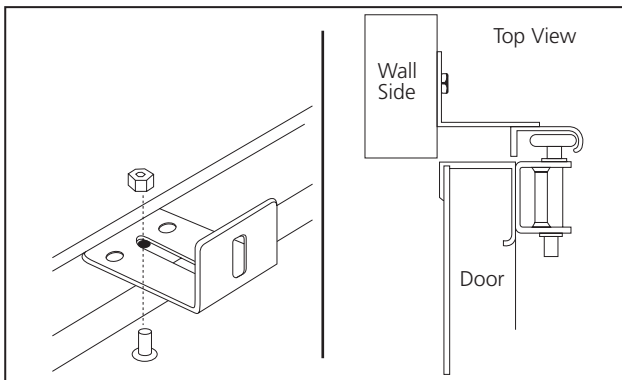


Fig. 2

Step 3

Attach the flag brackets to the top of the track with the 1/4" x 5/8" screws and nuts, once again screws heads must be inside the track. Refer Fig. 3.

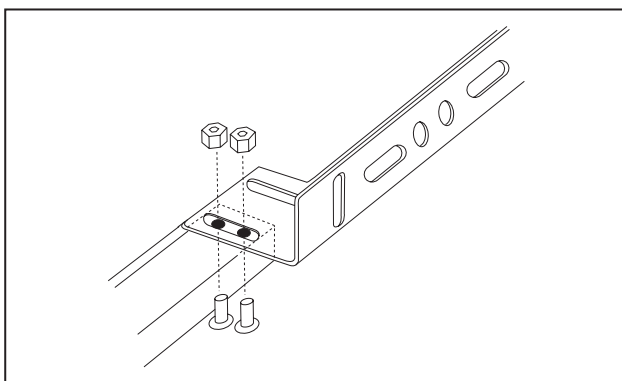


Fig. 3

Step 4

Install each vertical track to garage wall using suitable fixings, align inside edge of each track with pencilled line as detailed in Step 1.

SETTING UP THE DOOR PANELS

Step 5

Select door panel with weatherseal pre-installed to bottom edge. Place this panel face down on a soft support. (e.g two padded saw horses).

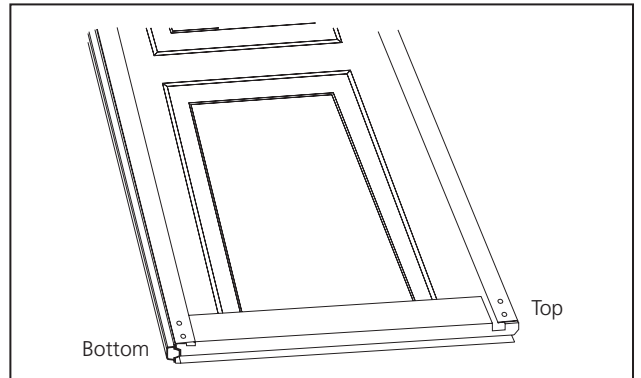


Fig. 4

Step 6

Attach the bottom cable bracket to each bottom corner of the panel using 1/4" metal screws. Hook one cable over steel extrusion either end.

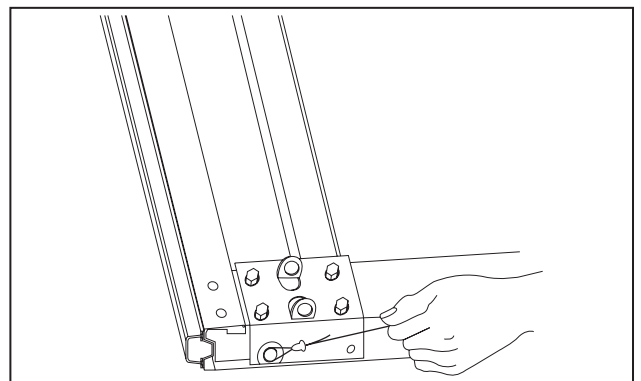


Fig. 5

Step 7

Using the number 1 hinge attach a hinge to each rigid vertical section of the panel. Ensure hinge is face down and level with top edge of the panel. Refer Fig. 7.

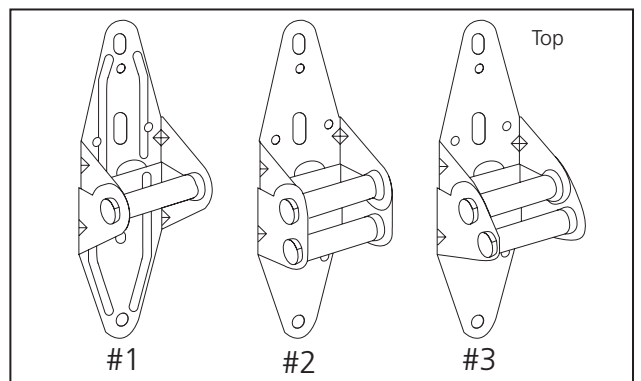


Fig. 6

NOTICE ON REINFORCING STRUTS

If your door is over 4.56 metres wide it would be supplied with reinforcing struts. Struts are placed as follows

Doors 4.56m – 4.87m one strut only top panel, near top if automatic.

Doors 4.87m and over struts on all hinged sections.

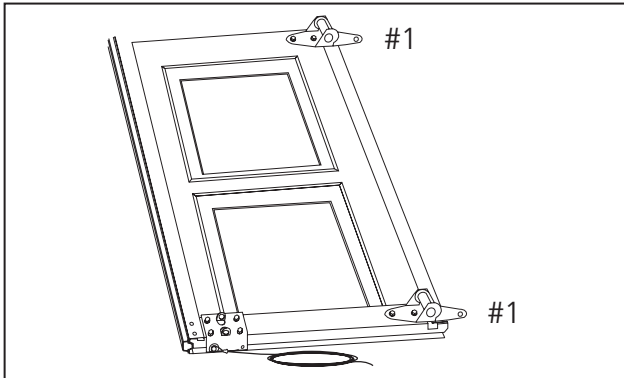


Fig. 7

Step 8

As each door section is completed, the rollers must be placed in the brackets and hinges as shown in Fig. 8. Once complete slide bottom panel into vertical tracks, (refer Fig. 9), ensure rollers are engage in track and moving freely.

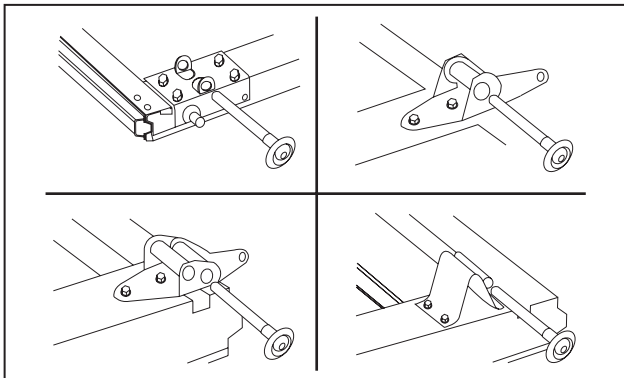


Fig. 8

Step 9

Check that door panel is level by placing spirit level on top edge of door panel. If panel is not horizontally level it may be necessary to use suitable packer underneath door panel to achieve level. **Make sure vertical tracks are level.**

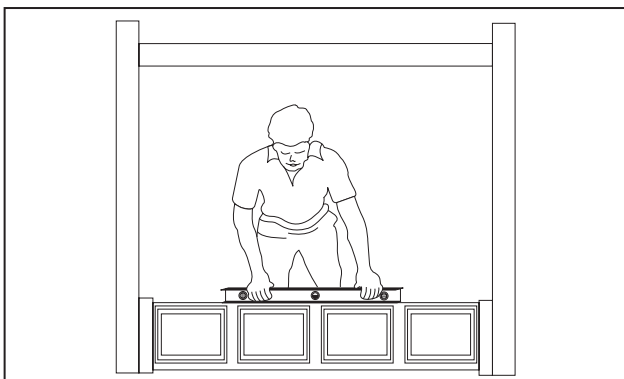


Fig. 9

Step 10

Place the next door panel face down on the supports, attach the number 2 hinge to each end of the door panel. Attach the number 1 hinge to each vertical rigid section between the two outer hinges. Lower this door panel onto the first panel.

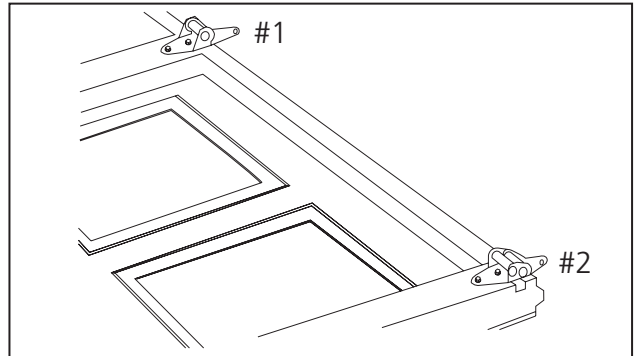


Fig. 10

Step 11

Repeat step 10 using number 3 hinges on the third door panel. Ensure number 1 hinges are used one each internal vertical rigid section.

NOTE: If your Panel-Glide has more than four door panels it will be necessary to repeat the process again using number four hinges before proceeding to step 12.

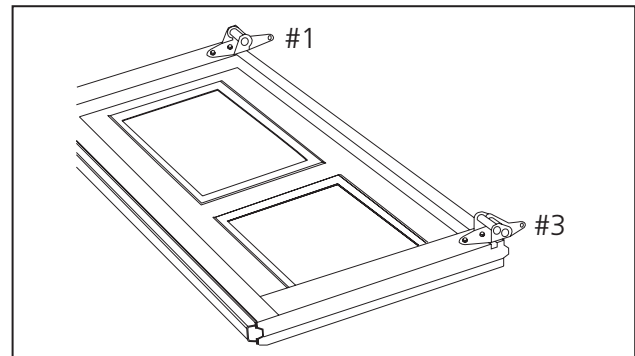


Fig. 11

Step 12

Place the last section face down, attach the top corner brackets to the door panel as shown in Fig. 12. The top brackets are secured using four tek screws. If the door is supplied with reinforcement struts, attach the strut as shown (inset). Do not install final panel until Step 17.

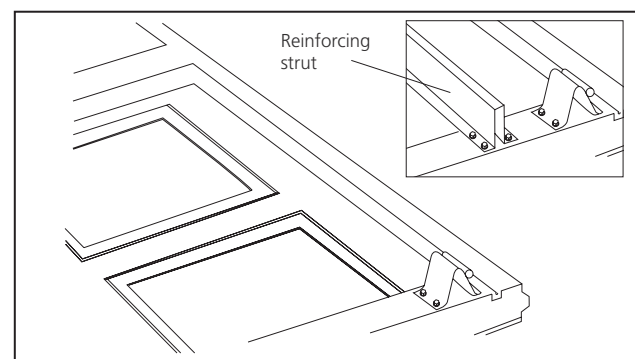


Fig. 12

Step 13

Make sure front face of panels do not touch wall.

IMPORTANT- Do Not force the track too tightly against the rollers as this will cause the door to bind when in operation.

Check that all door panels are level and make necessary adjustment with temporary packers. Once satisfied secure all wall mounted brackets to eliminate any further track movement.

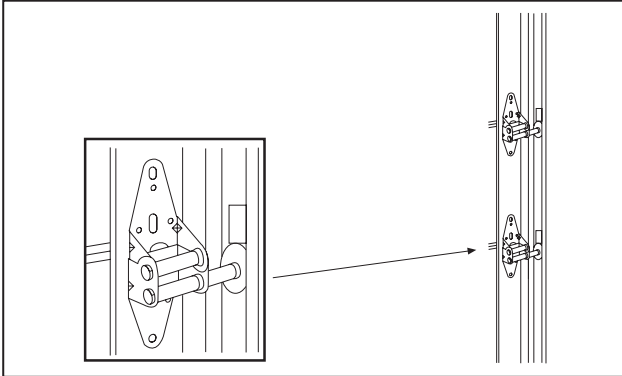


Fig. 13

INSTALLING HORIZONTAL TRACKS

Step 14

Loosen the slide on each top bracket enabling easy roller adjustment.

Step 15

Use a suitable support to hold the back of the horizontal track in position. Refer Fig. 14.

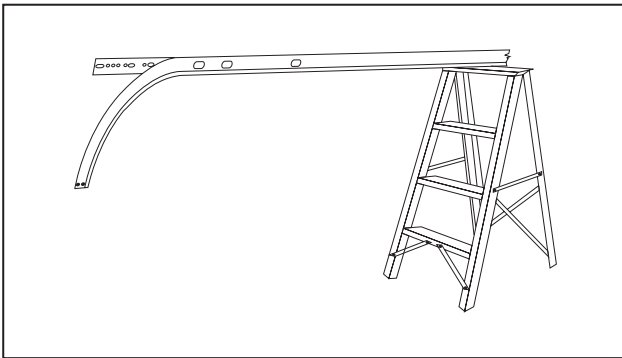


Fig. 14

Step 16

Attach the flag bracket to the curved section of the horizontal track using the 1/4' x 5/8' screws and nuts ensure that the screws are on the inside of the track. Attach the end of the horizontal angle to the top of the wall mounted flag bracket the 3/8' x 3/4' carriage bolt and nut. Refer Fig. 15.

Make sure horizontal and vertical tracks are aligned when joined.

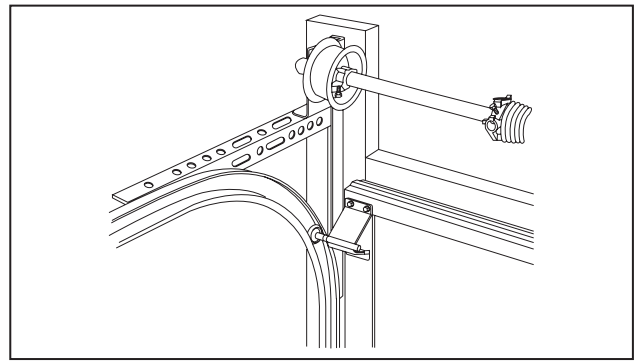


Fig. 15

Step 17

Lower the final door panel into the vertical tracks. Fasten the hinges to the bottom of this panel. That is in a four panel door secure the hinges from the top of panel three to the bottom of panel four. This is done to prevent the top panel from falling out of the vertical track.

No horizontal track can be installed until the top panel is installed.

Step 18

Secure the rear of the horizontal track with the steel angle. Due to the variance in installation requirements within a garage these angles are not provided. The angle may be attached to return walls or the ceiling. Make sure that the track is level and square with the opening. Due to the fact that the horizontal tracks are weight bearing when the door is fully opened ensure that adequate fasteners are used into solid fixings. Refer Fig. 16. Repeat this step for the second horizontal track.

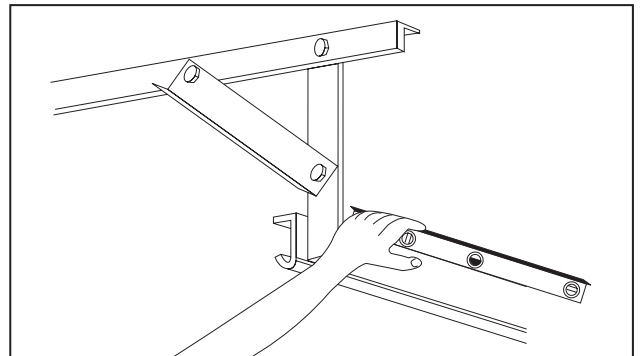


Fig. 16

Step 19

The sliding section on the top door panel bracket should be loose. Push the top of the door tightly against the opening and pull the roller towards yourself. Once satisfied that the roller is correctly positioned in the track then tighten the slide bracket. If an operator is to be installed. Tighten bracket to leave clearance between panel and lintel. Refer Fig. 17.

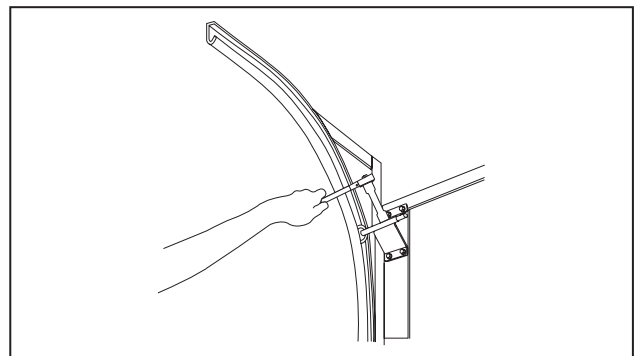


Fig. 17

TORSION SPRING ASSEMBLY

WARNING: Springs under tension may cause damage or injury if handled incorrectly and should only be attempted by a person with sound knowledge of springing mechanisms. IMPORTANT: Door must always be in closed position when adjusting tension.

Step 20

Attach the bearing plate to each horizontal angle on both tracks using carriage bolts and nuts. Refer Fig. 18.

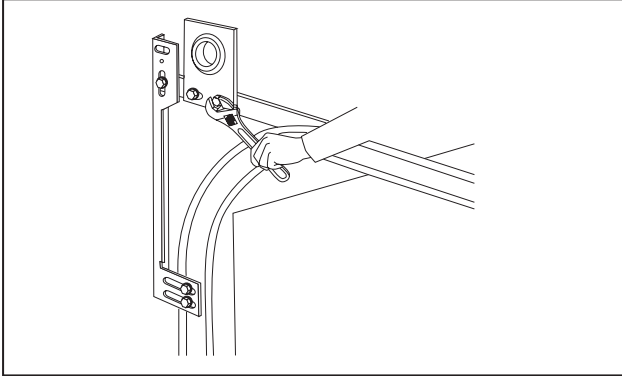


Fig. 18

Step 21

Secure the spring anchor plugs to the centre bearing. Locate the left wound spring to the right side of the plate and the right wound spring to the left of the plate. If your door only requires one wound spring locate it to the left or right as detailed above. Slide the completed spring assembly over the shaft and slide into place the cable drums at each end. Ensure that the correct drums are on the right ends as marked.

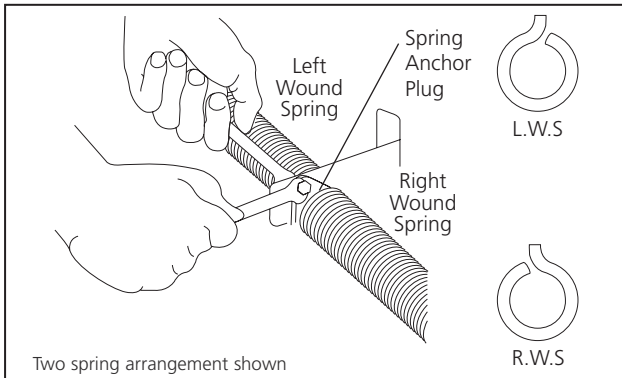


Fig. 19

Step 22

Place the shaft assembly over the horizontal tracks and slide one end through the bearing plate with the greatest side clearance, then insert the opposite end into its bearing plate. Refer Fig. 20.

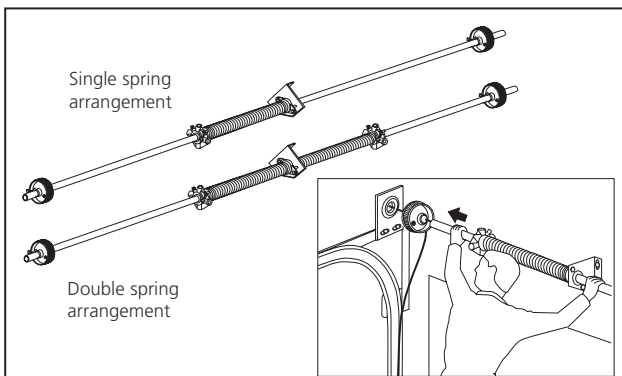


Fig. 20

Step 23

Take hold of the spring bearing plate and raise it until the shaft is level. Position the bracket near the centre of the header so that the automatic GTS can be fixed in the centre and securely fix to the wall. Refer Fig. 21.

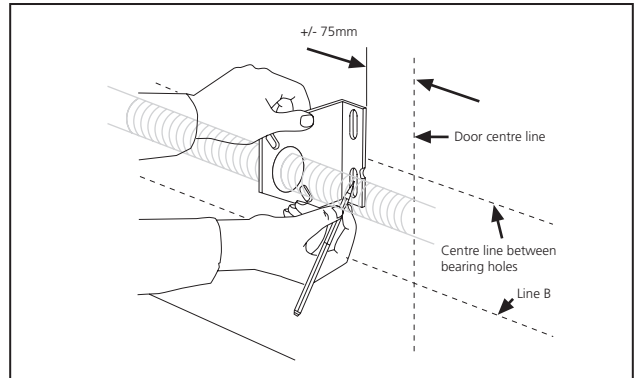


Fig. 21

Step 24

Pull the cables up in the space between the tracks and the door. Align the cable over the back of the cable drum and insert in the cable slot. Lay the cable over the highest outside groove of the drum. Both cables must be even.

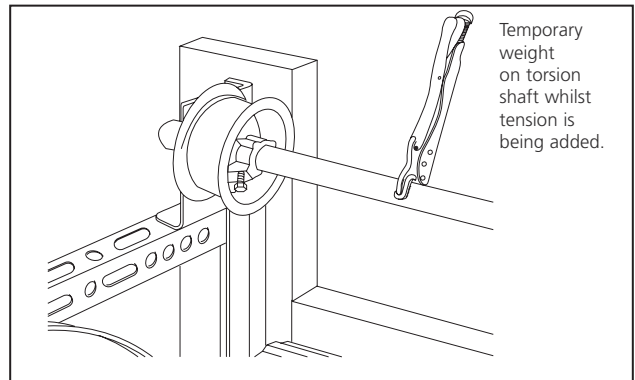


Fig. 22

Step 25

Draw or texture a central horizontal line along the length of the springs. This line is used to easily identify the amount of tension you have put on the door each spiral reflects one turn of tension.

Springs must be tensioned in the direction they are wound.

Insert a winding bar into the hole of the spring block and wind 1/4 of a turn, now insert a second winding bar and continue turning repeat this process until desired tension is achieved.

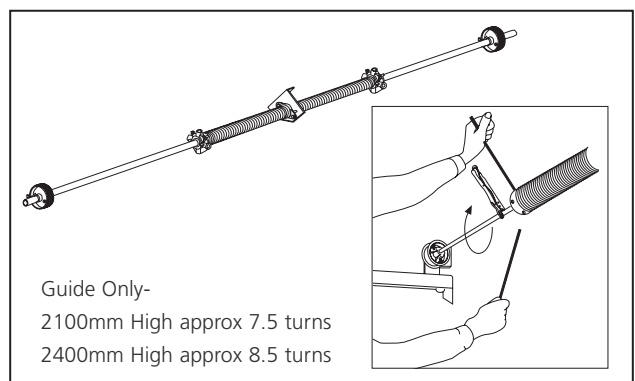


Fig. 23

Once you have completed the desired number of turns secure the set screws on the spring block to the shaft. Remove the winding bars.

WARNING: Always ensure that your body and face are to the side of the winding bars. Refer Fig. 23.

Congratulations you have now successfully commissioned your panel glide sectional overhead garage door. If installing an automatic operator please refer to Glidermatic GTS installation instructions.

Warranty

A. The manufacturer, Gliderol Garage Doors Pty Ltd (the Manufacturer), a division of Gliderol International Pty Ltd, of 32 Jacobsen Crescent, Holden Hill, South Australia, 5088 warrants to the original purchaser (the Vendee) that the Panel-Glide (the Unit) including every major component thereof will be free from defects in materials and workmanship in normal operation for a period of twelve (12) months from the date of installation where installation is effected by the Manufacturer or one of its Authorised Distributors or otherwise from the date of purchase.

B. (1) Where the door has been installed by the Manufacturer or an Authorised Distributor, the Manufacturer warrants such installation shall be free from defects in material or workmanship and that the Vendee shall be entitled to free service by the Manufacturer or its Authorised Distributors to remedy any such defect. Any service calls made by the Manufacturer or its Authorised Distributors for the purpose of adjustments and, in the opinion of the Manufacturer not to remedy a defect to which this Warranty relates will be paid for by the Vendee.

B. (2) Where the door has not been installed by the Manufacturer or its Authorised Distributor, in addition to any warranty offered by the installer, the Manufacturer will within twelve (12) months after the date of purchase and after notification of the defect by the Vendee and on the return of the defective part of the door repair or at its option, replace any defective part of the door without charge provided disconnection, re-installation and freight costs shall be borne by the Vendee.

C. Vendee to give Notification and Proof

The Vendee must immediately notify either the Manufacturer or its Authorised Distributor in the event of any alleged defect in the Unit and must establish to the reasonable satisfaction of the Manufacturer or its Authorised Distributor the date of purchase or installation (as the case may be) by way of invoice or the completed Warranty Form contained in this Manual.

D. Future Modification

The Manufacturer reserves the right to modify any existing or future models of the door without incurring any obligation to incorporate such modifications in doors already manufactured or to which this Warranty may relate.

FINAL ADJUSTMENT

- **IMPORTANT:** Door must always be in the closed position when adjusting the tension.
- Open and close door to check tension.
- If spring is over tensioned the door will not close fully (Remedy – reduce spring tension, 1/4 decrements advised).
- If spring is under tensioned door will be heavy to lift. (Remedy - increase spring tension, 1/4 increments advised).

NOTE: Always ensure that torque is taken up on winding bar prior to releasing spring set screws.

- With the door in closed position loosen the track wall brackets and move vertical tracks to adjust clearance from the wall.
- Check all nuts and bolts for secure fastness.

NEVER PUT FINGERS BETWEEN PANELS WHEN CLOSING DOOR.

E. General

Subject to paragraph F and G the obligations of the Manufacturer or its Authorised Distributor under this Warranty are limited to those contained above and this Warranty is the only warranty made by the Manufacturer and exclusively and expressly in lieu of all other warranties permitted to be excluded by law whether these warranties are express, implied, under common law or by statute and the terms of the warranty may not be modified by person, firm or corporation other than the Manufacturer.

F. Exclusions

This Warranty does not extend to or affect the Manufacturer or its Authorised Distributor in the event that any defects or malfunctions of the Panel-Glide are due to or result from:

1. Lack of proper care or maintenance of the door.
2. Incorrect, improper or unreasonable use.
3. Faulty installation or adjustment which is not carried out by the Manufacturer or its Authorised Distributor.
4. Failure to observe any instructions or directions provided with the door or given to the Vendee by the installer.
5. Attempted modifications or repairs carried out by an unauthorised person.
6. Faulty or unsuitable structures to which the Panel-Glide is affixed.

G. Statutory Warranties

It is expressly provided that this Warranty or any terms and conditions of it or any other literature provided to the Vendee shall not be read or applied so as to purport to exclude, restrict or modify or have the effect of so doing the application in relation to the supply of the Unit of all or any of the provisions of division 2 and 2a of Part V of the Trade Practices Act, 1974 (the Act) as amended or the exercise of a right conferred by such provision or any liability of the Manufacturer or its Authorised Distributors for breach of a condition or warranty implied by such provisions or any other condition or warranty implied by any relevant State Act or Territorial Ordinance or by the General Law and which by law cannot be excluded, restricted or modified provided that to the extent that the Act permits the Manufacturer to limit his liability for a breach of a condition or warranty implied by the Act then the Manufacturer's liability for such breach shall be limited to the payment of the cost of replacing or repairing the goods or acquiring equivalent goods.

Warranty Form

Name..... Address

.....

Product Type..... Installation Date

Supplier (Distributor).....

Installer..... Phone No

Address

Installer's Signature

NOTE: THIS FORM MUST BE COMPLETED BY THE INSTALLER AND PRODUCED AS PROOF OF PURCHASE DATE WHEN MAKING A SERVICE CALL UNDER WARRANTY, OTHERWISE SUCH CALLS ARE LIABLE TO SERVICE CHARGES.

FOR SALES AND SERVICE, CONTACT

GLIDEROL GARAGE DOORS PTY LTD ACN 007 928 949

Head Office Gliderol Garage Doors Pty Ltd
32 Jacobsen Crescent, Holden Hill, SA 5088
Phone (08) 8261 9633 Fax (08) 8261 9700

Victoria Gliderol Roller Doors
23 Kitchen Road, Dandenong, Vic 3175
Phone (03) 9793 5455 Fax (03) 9706 8492

NSW Gliderol Doors Manufacturing (NSW) Pty Ltd
45 Sammut Street, Smithfield, NSW 2164
Phone (02) 9725 1033 Fax (02) 9725 1115

Queensland Gliderol Doors Manufacturing (Qld) Pty Ltd
241 Elliot Road, Banyo, QLD 4014
Phone (07) 3260 9000 Fax (07) 3260 9055

Western Australia TG Garage Doors
21 Prindiville Drive, Wangara, WA 6065
Phone (09) 9409 3000 Fax (09) 9409 3200

United Kingdom Gliderol Doors UK Ltd.
1 Davy Drive.
North West Industrial Estate
Peterlee Co, Durham
Phone +44 191 518 0455 Fax +44 191 518 0548

OR YOUR LOCAL SUPPLIER