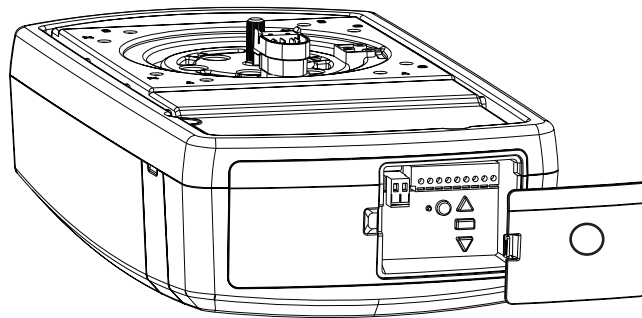


# Merlin®

gomerlin.com.au  
gomerlin.co.nz



# tiltmaster

## MT100EVO

**Sectional and Tilt Garage Door Opener**

**Installation and Operating Instructions**

Owners Copy: **SAVE THESE INSTRUCTIONS** for future reference



This manual contains **IMPORTANT SAFETY** information  
**DO NOT PROCEED WITH THE INSTALLATION BEFORE READING THOROUGHLY**



# WARNING!

## START BY READING THESE IMPORTANT SAFETY INSTRUCTIONS

- Failure to comply with the following instructions may result in serious personal injury or property damage.
- Read and follow all instructions carefully.
- The garage door opener is designed and tested to offer safe service, provided it is installed and operated in strict accordance with the instructions in this manual.



These safety alert symbols mean **WARNING** : A possible risk to personal safety or property damage exists.



**Keep garage door balanced.** Do not let the garage door opener compensate for a binding or sticking garage door. Sticking, binding or unbalanced doors must be repaired before installing this opener.



**Do not wear rings, watches or loose clothing** while installing or servicing a garage door opener. Wear gloves, safety goggles and suitable protective clothing where appropriate.



**Frequently examine the door installation,** in particular cable, springs and mountings for signs of wear, damage or imbalance. Do not use if repair or adjustment is needed since springs and hardware are under extreme tension and a fault can cause serious personal injury.



To avoid serious personal injury from entanglement, **remove all ropes, chains and locks connected to the garage door** before installing the door opener.



**Installation and wiring** must be in compliance with your local building and electrical codes.



**The safety reverse system test is very important.** Your garage door **MUST** reverse on contact with a 40 mm obstacle placed on the floor. Failure to properly adjust the opener may result in serious personal injury from a closing garage door. **Repeat the test once a month and make any necessary adjustments.**



This appliance is not intended for use by persons (including children) with reduced physical, sensory or mental capabilities, or lack of experience and knowledge, unless they have been given supervision or instruction concerning use of the appliance by a person responsible for their safety.



Use the **Manual Release** only for the separation of the carriage from the drive and - if possible - **ONLY** with the door closed. Do not use the red handle to push the door up or pull it down. Operation of the emergency release can lead to uncontrolled movements of the door, if springs are weak or broken or if the door is unbalanced. Mount the release handle of the emergency release at a height less than 1.8 m from the floor.



**The Protector System™ must be used for all installations where the closing force as measured on the bottom of the door is over 400 N (40 kgf).** Excessive force will interfere with the proper operation of the Safety Reverse System or damage the garage door.

**SPECIAL NOTE: Merlin strongly recommends that The Protector System™ be installed on all garage door openers.**



**After installation, ensure that the parts of the door do not extend over public footpaths or roads.**



Install the wireless wall control (or any additional wall control) **in a location where the garage door is visible, at a height of at least 1.5 m and out of the reach of children. Do not allow children to operate push button(s) or transmitter(s).** Serious personal injury from a closing garage door may result from misuse of the opener.



**Permanently fasten the Warning Labels in Prominent Places,** adjacent to Wall Controls and on manual release mechanism as a reminder of safe operating procedures.



**Activate opener only when the door is in full view, free of obstructions and the opener is properly adjusted. No one should enter or leave the garage while the door is in motion.**



**Automatic Door-** The door may operate unexpectedly, therefore do not allow anything to stay in the path of the door.



**Do not allow children to play near the door, or with door controls. Keep remotes away from children.**



**Disconnect electric power to the garage door opener before making repairs or removing covers.**



If the supply cord is damaged, it must be replaced by the manufacturer, its service agent or similarly qualified persons in order to avoid hazard.



**This opener should not be installed in a damp or wet space exposed to weather.**



To avoid damage to very light doors (such as fibreglass, aluminium or steel doors), an appropriate reinforcement should be added. To do so, contact the door manufacturer.

**SAVE THESE INSTRUCTIONS**

**Warning: If your garage has no service entrance door, a E1702M outside quick release must be installed. This accessory allows manual operation of the garage door from outside in case of power failure.**

CONTENTS	PAGE
SAFETY INSTRUCTIONS .....	1
BEFORE YOU BEGIN .....	2
DOOR TYPES .....	2
CARTON INVENTORY .....	3
RAIL SIZES .....	3
TOOLS REQUIRED .....	4
HARDWARE PROVIDED .....	4
COMPLETED INSTALLATION .....	4
CONTROL PANEL .....	5
ASSEMBLY .....	6
INSTALLATION .....	7-10
OPERATE THE MANUAL RELEASE ..	10
ADJUSTMENT .....	11-12
INSTALL THE PROTECTOR SYSTEM (OPTIONAL) .....	13

INSTALL WIRELESS WALL	
BUTTON .....	14
TIMER TO CLOSE .....	14
INSTALL WARNING LABELS .....	15
PARTIAL OPENING FEATURE .....	15
WIRELESS PROGRAMMING .....	16
USING YOUR OPENER .....	17
CARE OF YOUR OPENER .....	17
REPLACE BATTERIES IN	
REMOTE .....	17
ACCESSORIES .....	18
REPLACEMENT PARTS .....	19
TROUBLESHOOTING .....	20-21
SPECIFICATIONS .....	22
WARRANTY .....	23

## BEFORE YOU BEGIN:

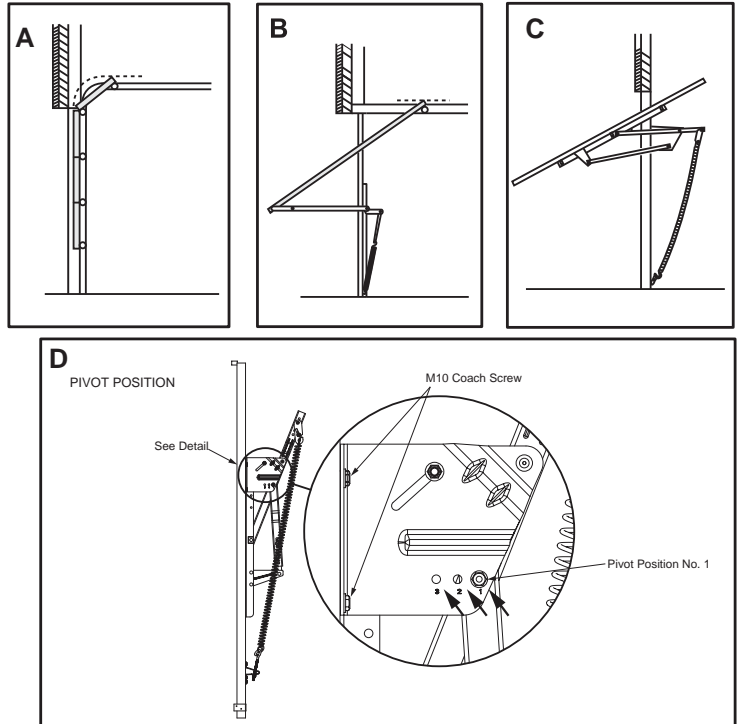
1. Look at the wall and ceiling above the garage door. (The opener and header bracket **must** be securely fastened to structural supports.)
2. Do you have a finished ceiling in your garage? If so, a support bracket and additional fastening hardware (not supplied) may be required.
3. Do you have an access door in addition to the garage door? If not, model E1702M Outside Quick Release Accessory is required. This accessory allows manual operation of the garage door from outside in case of power failure.
4. Complete the following test to make sure your garage door is balanced and is not sticking or binding:
  - Lift the door about halfway. Release the door. If balanced, it should stay in place, supported entirely by its springs.
  - Raise and lower the door to see if there is any binding or sticking, 20 kgf is the absolute maximum allowable force to raise or lower the door in any position. If your door binds, sticks, or is out of balance, call a trained door technician.

## 1 DOOR TYPES

- A. Sectional Door with curved track
- B. One-Piece Door with Horizontal Track Only
- C. One-Piece Door without track
- D. J-Type tilt Door fittings

**NOTE:** When installing an opener on J-Type (D) tilt doors, ensure the PIVOT POSITION No. 1 is used. Pivot positions 2 and 3 progressively increase the force required to operate the door and are not recommended, or approved with this opener.

**To suit spring balanced Residential Sectional & Tilt doors up to 20 m<sup>2</sup>.**



### *Electrical Connection*

**A 240 V General Purpose Outlet (GPO) ie. Power Point must be available in close proximity to the powerhead. This fitting is not part of the Opener hardware and must be supplied by the consumer.**



**In the event of a power outage or the unit being disconnected from the power source, the door MUST be operated and supervised so that it completes a full UP and DOWN cycle with no obstructions in place to ensure that the unit automatically checks that the safety force settings are correct.**

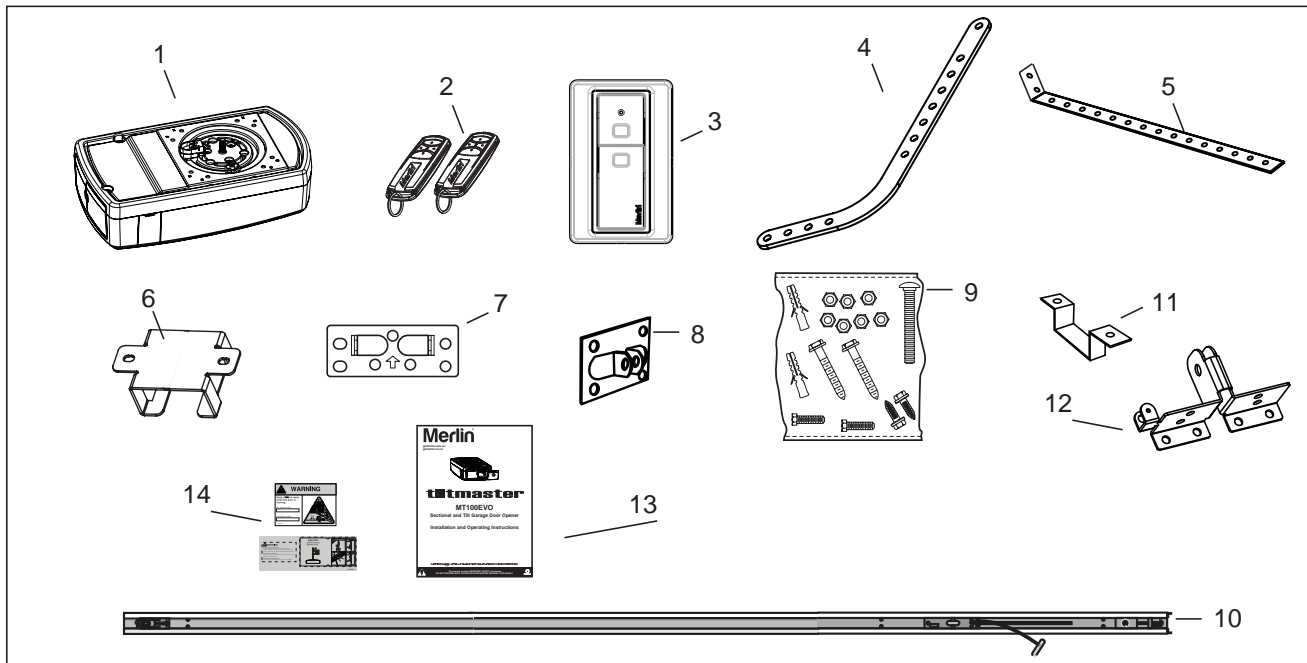
## 2 CARTON INVENTORY

Your garage door opener and rail are packed in two separate cartons. The tiltmaster MT100EVO opener carton contains the opener, its fitting hardware and accessories. The rail carton contains the rail and some hardware.

### Rails:

Different length rails (2.2 m & 2.4 m) are available for different height doors, ensure you have the correct one.

- |                              |                                      |
|------------------------------|--------------------------------------|
| (1) Opener                   | (8) Door bracket                     |
| (2) Premium+ transmitter (2) | (9) Hardware bag                     |
| (3) Wireless wall control    | (10) Rail assembly (separate carton) |
| (4) Curved door arm          | (11) C-Rail bracket (2)              |
| (5) Hanging bracket (2)      | (12) Tilt door bracket               |
| (6) Rail bracket             | (13) Manual                          |
| (7) Header bracket           | (14) Warning Labels                  |



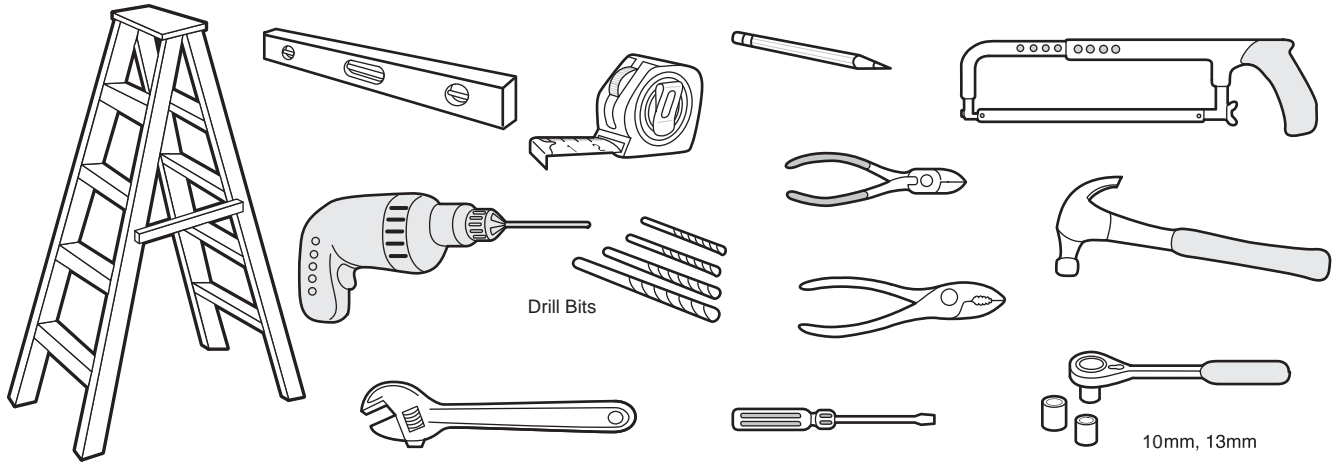
## 3 RAIL SIZES AVAILABLE

DOOR HEIGHT: Sectional Doors	BELT & RAIL PART NUMBER:	RAIL LENGTH:	CEILING FIXING POINTS: (standard)	ALTERNATE FIXING POINT:
Up to 2.2 m	8022 CR5	3000 mm single piece	2840 mm	2950 mm
Up to 2.4 m	8024 CR5	3200 mm single piece	3040 mm	3150 mm
From 2.4 - 3.4 m	840 CR5	1000 mm extension	4040 mm	4150 mm
2.3 m TILT Door	820 CR5	2000 mm single piece	1840 mm	1950 mm

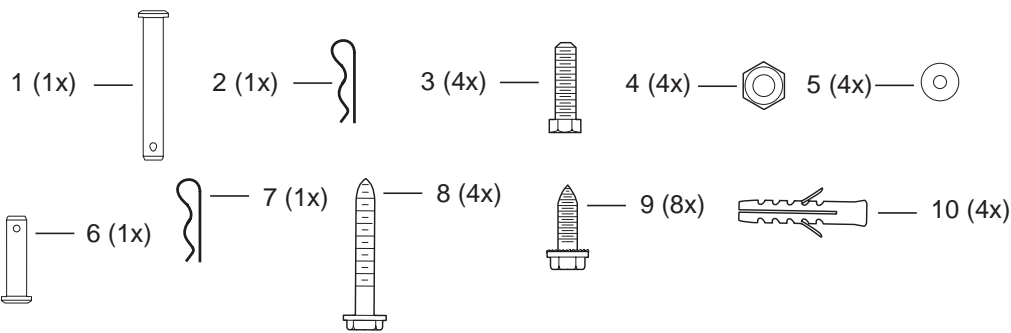
**NOTE:** The Ceiling Fixing Point (Standard) is the position of the hanging bracket measured back from the lintel (see item 1 to 7 of "completed installation"). Also allow 400 mm back from the fixing point for installation of the powerhead (item 7 to 9 of "completed installation").

The Alternate Fixing Point will position the hanging bracket between the C-Rail brackets, and may line up with a structural support more favourably.

## 4 TOOLS REQUIRED



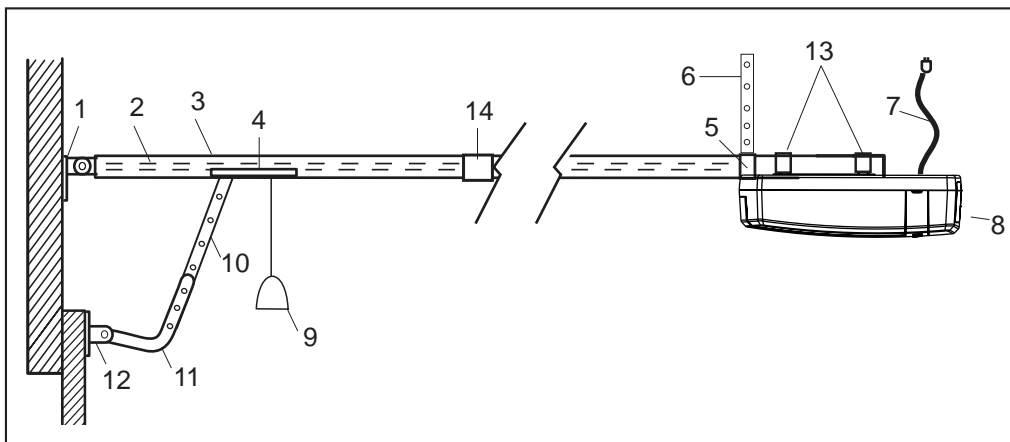
## 5 HARDWARE PROVIDED



- (1) Clevis pin 80 mm
- (2) R clip
- (3) Hexagonal head screw
- (4) Nut M8
- (5) Flat washer M8
- (6) Clevis Pin
- (7) R clip
- (8) Screw ST6 x 50 mm
- (9) Screw ST6,3 x 18 mm
- (10) Wallplug 8mm

## 6 COMPLETED INSTALLATION

As you proceed with the assembly, installation and adjustment procedures in this manual, you may find it helpful to refer back to this illustration of a completed installation.



- (1) Header bracket
- (2) Belt
- (3) Rail
- (4) Trolley
- (5) Rail bracket
- (6) Hanging bracket
- (7) Power cord
- (8) Opener
- (9) Manual release rope & handle
- (10) Straight door arm
- (11) Curved door arm
- (12) Door bracket
- (13) C-Rail brackets
- (14) Centre rail bracket

## 7 CONTROL PANEL (located under the cover at the rear of the opener)

1. **External Accessory Power:** 30 Vdc 50 mA available for universal receiver (not active in Low standby mode).

2. **Terminal Block:** used for external accessories (see chart below).

No	Function	Colour	Polarity	Comment
0	E-Serial port	Green	+ve	Serial Communication Input
1	Push button	Red	+ve	Dry Contact input for push button wired wall controls
2	Ground	White	-ve	Common terminal for push button
2	Ground	White	-ve	Common terminal for IR Beams
3	IR Sensor	Gray	+ve	Merlin IR Beam Input: (pulsing type only)
4	Door-in-door	Green	+ve	For Door in Door dry contact sensor: (4&5 are normally linked)
5	Door-in-door	Green	-ve	Common terminal for Door in Door sensor
6	Flasher	Black	+ve	Flashing light output: (24 Vdc 150 mA) while door is in motion
7	Flasher	White	-ve	Flashing light output: negative terminal

3. **UP Button:** used for initial programming, to drive the door UP, and for displaying Diagnostic Code - Digit 1.

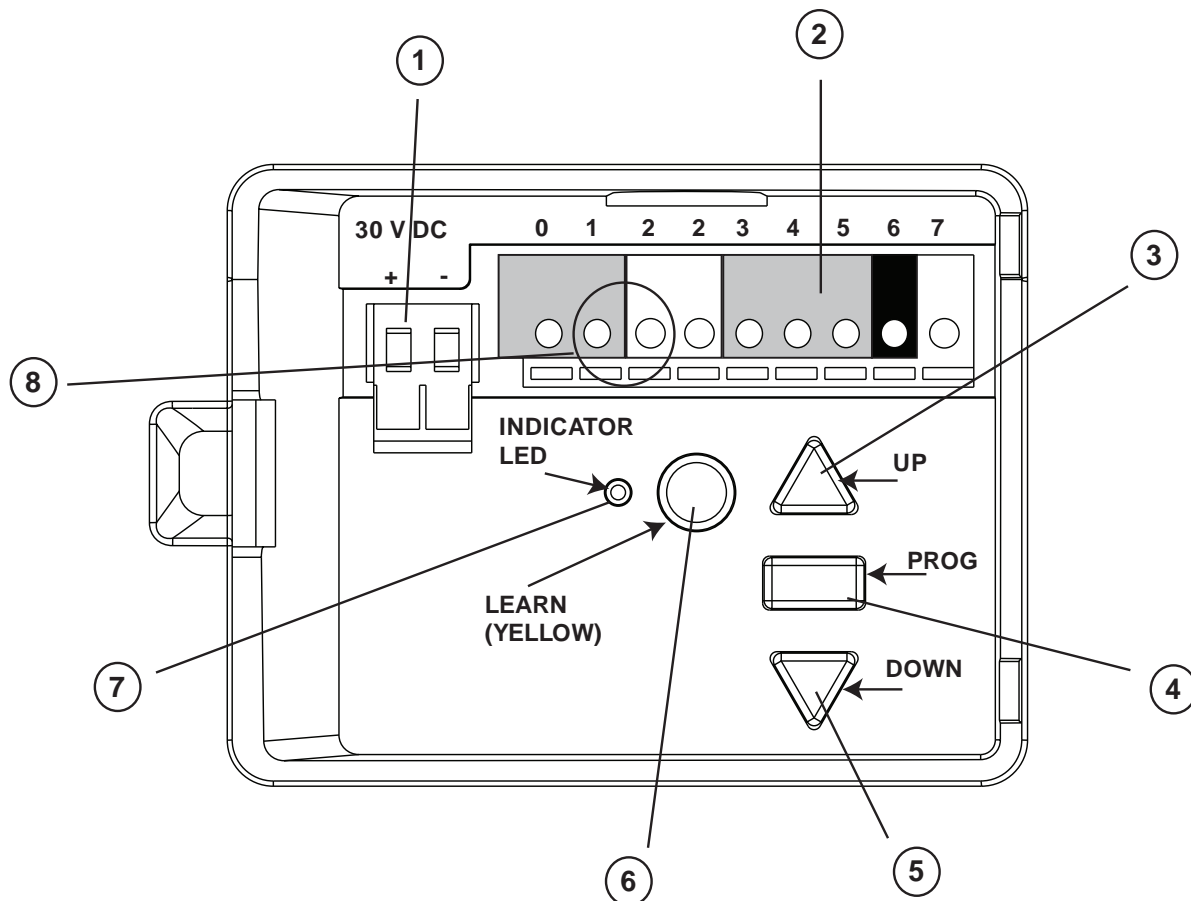
4. **PROG Button:** used to program door limits, and other features.

5. **DOWN Button:** used for initial programming, to drive the door DOWN, and for displaying Diagnostic Code - Digit 2.

6. **LEARN Button:** used to program remote controls and learn the forces manually.

7. **Indicator LED:** used to indicate various programming modes.

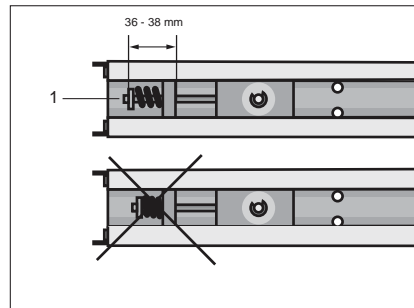
8. **Green Button:** used to activate the door when remote controls are not available. Open - Stop - Close via finger access through the hole in the access cover.



**8 TIGHTEN THE BELT**

**Note: The spring must be able to compress and bounce during operation. Final tensioning can be performed after installation if necessary. Over tightening the belt may overload the system and cause excessive wear.**

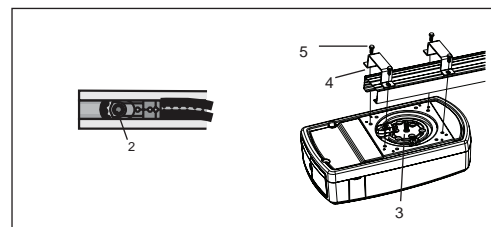
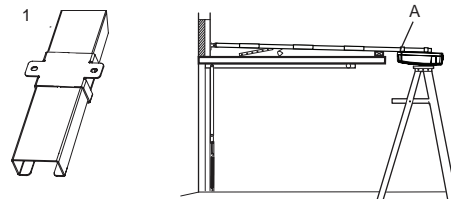
1. Tension the belt by adjusting the nut (1), on the pulley assembly, clockwise until the spring is engaged.
2. Continue tightening to compress the spring and remove all the slack in the belt. **DO NOT OVERTIGHTEN** but ensure belt is firm.
3. 36-38 mm as indicated in the diagram is normal.



**9 FASTEN RAIL TO OPENER**

1. Slide the RAIL BRACKET (1) onto the powerhead end of the rail (A) around 200 mm.
2. Position the rail drive spocket (2) over the opener motor shaft (3) and push down to install.
3. Secure the rail on the opener with two C-Rail brackets (4) and the screws (5).

**This completes the assembly of the door opener to the rail.**





## INSTALLATION SECTION



**Wear protective goggles when working overhead to protect your eyes from injury.**

**Disengage all existing garage door locks to avoid damage to the garage door.**

**To avoid serious personal injury from entanglement, remove all ropes connected to the garage door before installing the opener.**

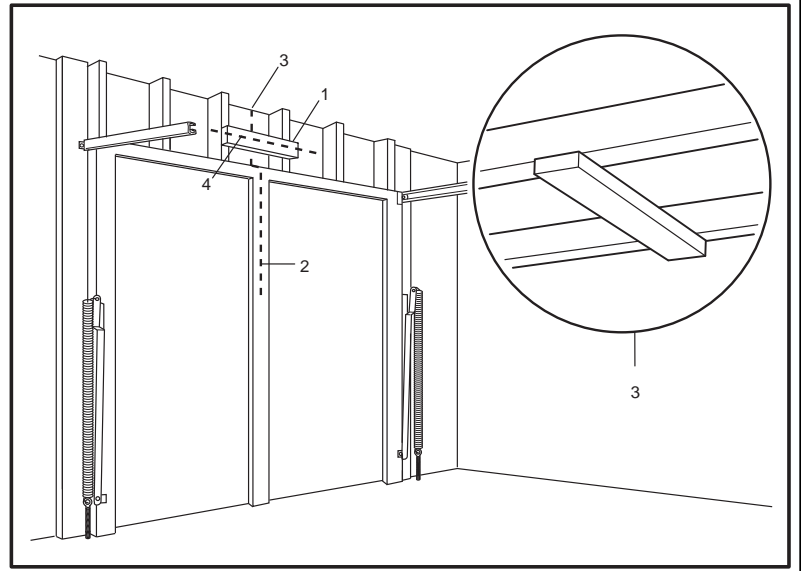
### 10 HEADER BRACKET POSITIONING

The header bracket must be rigidly fastened to a structural support of the garage. Reinforce the wall or ceiling with a 40 mm (1-1/2") board if necessary. Failure to comply may result in improper operation of safety reverse system.

You can attach the header bracket either to the header wall (1) or to the ceiling (3). Follow the instructions which will work best for your particular requirements.

With the door closed, mark the vertical centre line (2) of the garage door. Extend line onto header wall above the door.

Open door to highest point of travel. Draw an intersecting horizontal line (4) on header wall 50 mm for Sectional Doors, and up to 200 mm for Tilt Doors, above high point to provide travel clearance for top edge of door.

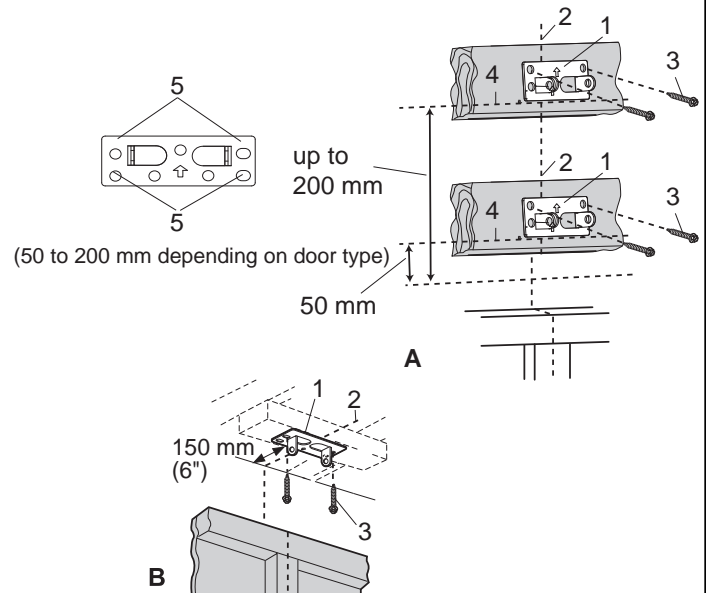


### 11 INSTALL THE HEADER BRACKET

**NOTE:** Refer to vertical centre and horizontal lines created in the previous section for proper placement of header bracket.

**A. Wall mount:** centre the header bracket (1) on the vertical centre line (2) with the bottom edge of the header bracket on the horizontal line (4) (with the arrow pointing toward the ceiling). Drill and secure the Header Bracket using the most suitable variation of holes (5). If using the wood screws provided, use a 4.5 mm pilot drill. If securing to a metal fixture, self tapping "tek" screws may be more suitable.

**B. Ceiling mount:** extend vertical centre line (2) onto the ceiling. Centre the header bracket (1) on the vertical mark no more than 150 mm (6") from the wall. Make sure the arrow is pointing toward the opener. Drill and secure the Header Bracket using the most suitable variation of holes (5). If using the wood screws provided, use a 4.5 mm pilot drill. If securing to a metal fixture, self tapping "tek" screws may be more suitable. For concrete ceiling fixtures, 8 mm wall plugs are provided.



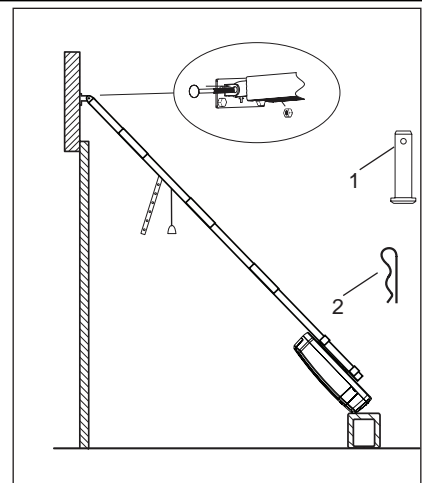
### 12 ATTACH RAIL TO HEADER BRACKET

#### Attach the Rail to the Header Bracket

- Position the assembled opener on the garage floor below the header bracket. Use foam packing material as a protective base.

**NOTE:** If the door spring is in the way you'll need help. Have someone hold the opener securely on a temporary support to allow the rail to clear the spring.

- Position the rail bracket against the header bracket.
- Align the bracket holes and secure with the 80 mm clevis pin and "R" clip (1) and (2).





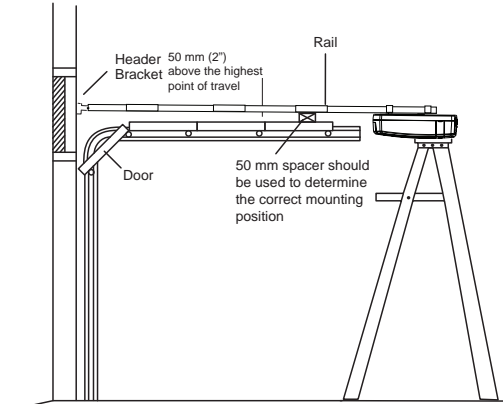
## 13 POSITION THE OPENER

Disengage the trolley mechanism (see section "Operating the manual release") and slide it back towards the powerhead. Secure the hanging push arm up into the rail assembly temporarily using tape or rope, to avoid a hazard.

### SECTIONAL DOOR OR TRACKED TILT DOOR

You will need a 50 mm piece of timber or similar spacer to gauge the distance between door and rail.

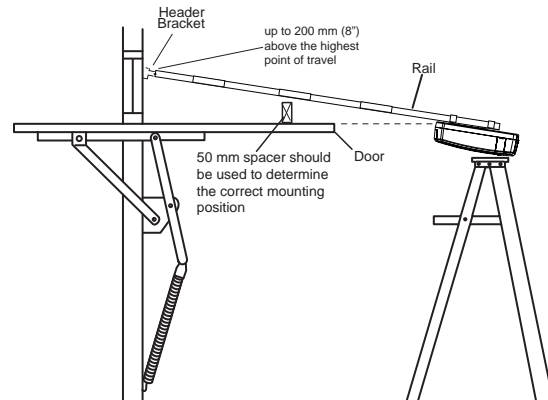
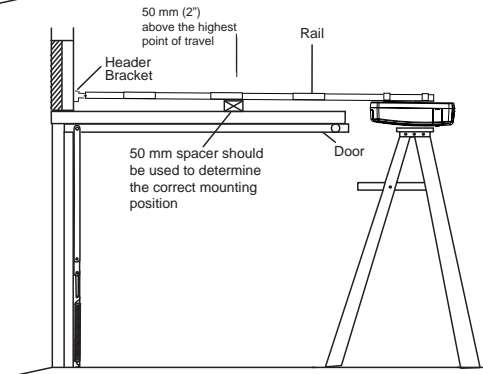
1. Raise the opener onto support.
2. Open the door completely, place a 50 mm spacer between the door and the rail (as shown).
3. The final positioning of the rail should be relatively parallel to the horizontal door panels.



### ONE PIECE TILT DOOR

You will need a 50 mm piece of timber or similar spacer to gauge the distance between door and rail.

1. Raise the opener onto support.
2. Open the door completely, place a 50 mm spacer between the door and the rail (as shown).
3. The top of the door should be level with the top of the opener. Do not position the opener more than 50 mm above this point. Ensure the opener is not positioned too low as to cause a hazard to vehicles or persons.



## 14 HANG THE OPENER

The opener must be securely fastened to a sound structural support above the opener.

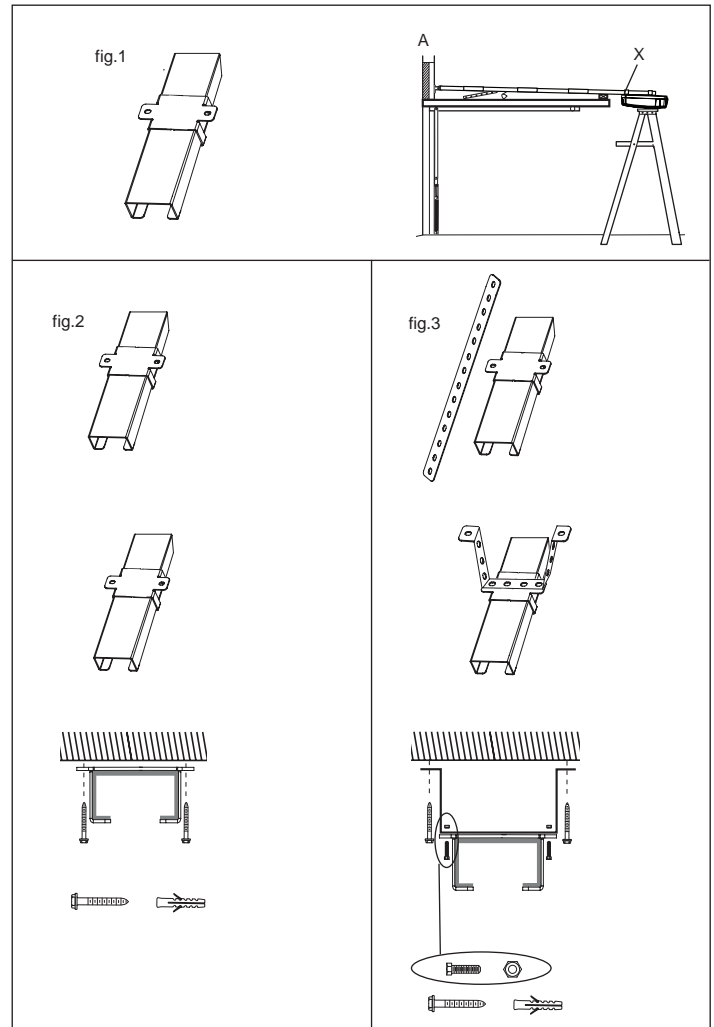
1. Position the opener as in the previous step. Check the rail is centred over the door.

Ensure the rail brackets (fig.1) is on the Powerhead end of the rail in a position as close to the opener as possible (X).

2. If mounting directly onto the ceiling, (fig.2) screw the bracket directly into a structural support on the ceiling.

3. If hanging the opener below the ceiling, (fig.3) bend the hanging brackets provided, and secure to both the ceiling and the rail bracket.

4. Check the opener is securely centred over the door. Remove the 50 mm spacer, and any other assembly tools. Operate the door manually and check for unrestricted operation.



## 15 FASTEN DOOR BRACKET

The door bracket must be securely fastened to the frame or a structural support on the door.

### Mounting position for Sectional Doors

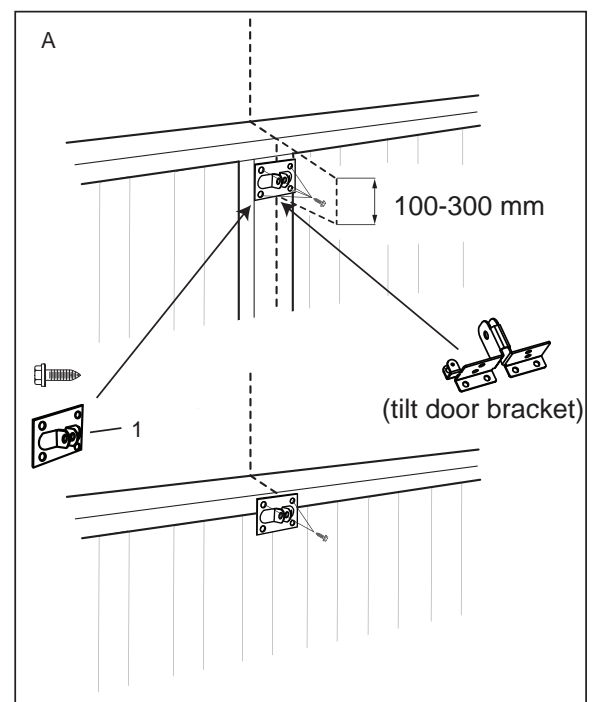
1. Align the bracket on the centre line, measure down 100-300 mm from the door top edge.

2. Secure the bracket in this position, using the most suitable variation of holes available.

### Mounting Position for one Piece Doors

1. Align the door bracket on the centre line on a structural Top edge of the door (use the door bracket that best suits the situation).

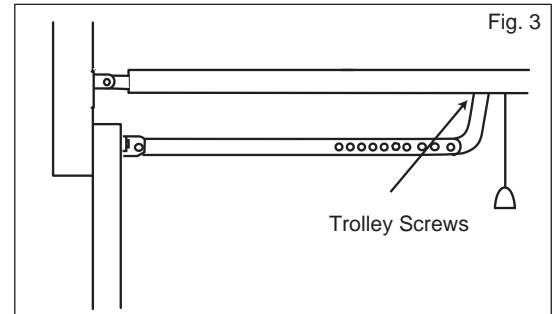
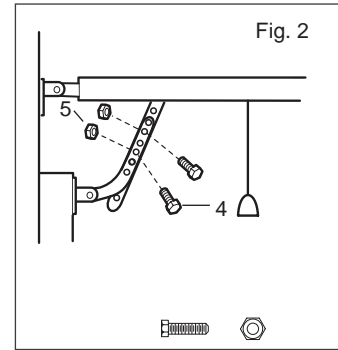
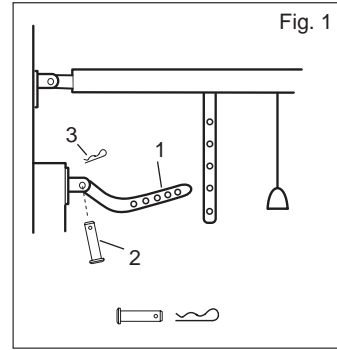
2. Secure the bracket in this position, using the most suitable variation of holes available.



## 16 ATTACH DOOR ARM TO TROLLEY

Make sure the garage door is fully closed. Pull the manual release cord to disengage the trolley. Slide the trolley to around 300 mm from the header bracket.

1. The straight door arm is already preassembled to the trolley.
2. Install the curved arm onto the door bracket using the Clevis pin (2) and R-Clip (3) supplied.
3. Move the straight and curved arms together and secure using two bolts and nuts provided (4).



- **For Sectional Doors:** ensure the angle of the straight arm is around 20 degrees from vertical, when the door is fully closed.

- **For Tilt Doors:** extend the length to the maximum position, to obtain a more horizontal pushing angle.

**Alternate Arm Configuration:** The curved arm can be assembled directly to the trolley assembly if required (see figure 3). Unscrew the front two screws in the trolley assembly. Remove the straight arm pivot and reassemble with the curved arm bracket.

## 17 OPERATING THE MANUAL RELEASE

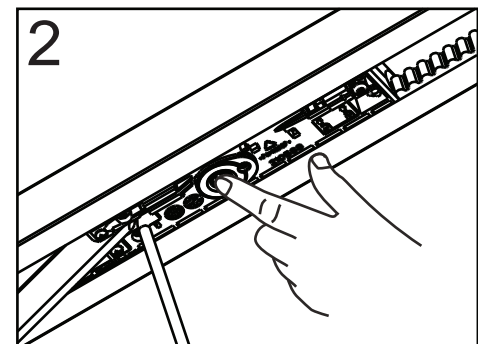
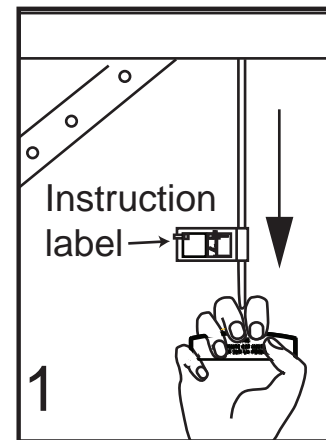


**DO NOT DISENGAGE THE OPENER TO MANUAL OPERATION WITH CHILDREN, PERSONS OR OTHER OBJECTS INCLUDING MOTOR VEHICLES WITHIN THE DOORWAY:** (The door is under significant tension and if the door has developed a fault or incorrect tension, it may be unsafe and may fall rapidly.)

The manual release mechanism enables the door to be manually operated during power outages or in an emergency.

The RED Manual Release cord is preassembled to the trolley. When the opener is installed the handle should be no higher than 1.8 metres from the floor. The cord may need to be extended.

Attach the manual release **Instruction Label** to the cord as indicated in fig 1.



**DO NOT USE THE RED HANDLE TO OPEN AND CLOSE THE DOOR.**

### To operate the Manual Release:

The door should be fully closed if possible.

1. **Disengage:** Pull the manual release rope and handle down once to disconnect. This will disengage the trolley, allowing the door to be moved by hand, UP and DOWN as many times as needed.
2. **Re-engage:** Press the "GREEN" button in the centre of the trolley assembly. This will re-engage the trolley, and when the door passes the trolley position it will automatically re-engage the opener.

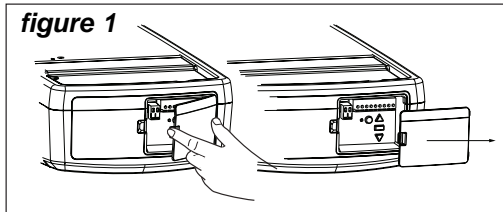
**Connect Electric Power**  
**TO AVOID INSTALLATION DIFFICULTIES, DO NOT RUN THE GARAGE DOOR OPENER UNTIL INSTRUCTED TO DO SO.**  
**Connect to properly fused and earthed power outlet.**

- Ensure all ropes and installation tools have been removed from the door.
- When the opener is switched ON, the operator light flashes a number of times and then remains ON.

## 18 PROGRAM THE TRAVEL LIMITS AND FORCE SETTINGS

Travel limits regulate the points at which the door will stop when moving **UP** or **DOWN**. The travel limit buttons are located under the access cover on the rear panel (figure 1).

figure 1



**NOTE:** This opener uses a **POSITION TAB** attached to the belt which activates a mechanical passpoint during the door travel. The indicator LED will blink when this occurs. If the passpoint is not activated during the door travel process, the travel limits cannot be programmed.

### TO PROGRAM THE TRAVEL LIMITS:

1. Ensure the door is engaged to the opener trolley before setting the limits, otherwise the yellow trolley may move independently and jam into the powerhead assembly.
2. Press the **PROG** Button until the **UP** Arrow Button and indicator LED begin to flash (figure 2).
3. Press and hold the **UP** Arrow Button until the door is in the desired UP position (figure 3).

**NOTE:** The **UP** and **DOWN** Arrow Buttons can be used to move the door up and down as needed.

3. Once the door is in the desired UP position press and release the **PROG** Button. The **DOWN** Arrow Button will begin to flash (figure 4).
4. Press and hold the **DOWN** Arrow Button until the door is in the desired DOWN position (figure 5).

**NOTE:** The **UP** and **DOWN** Arrow Buttons can be used to move the door up and down as needed.

5. Once the door is in the desired DOWN position press and release the **PROG** Button. The **UP** Arrow Button will begin to flash (figure 2).

### SETTING THE FORCE (AUTO):

6. Press and release the **UP** Arrow Button to test the UP limit. When the door has travelled to the programmed UP limit, the **DOWN** Arrow Button will begin to flash.
7. Press and release the **DOWN** Arrow Button to test the DOWN limit. The door will travel to the programmed DOWN limit. The indicator LED will stop flashing. The travel limits and force setting has now been set. Proceed to test safety reverse system.

### SETTING THE FORCE (MANUAL LEARN IF REQUIRED):

1. Open the rear access panel. Locate the yellow Learn button.
2. Push the yellow Learn button twice to enter unit into force adjustment mode. The LED (indicator light) will flash quickly.
3. Push the programmed remote control or push the **UP/DOWN** arrow at the programming display bar. The door will travel to the DOWN (close) position. Push the remote control again, the door will travel to the UP (open) position.
4. Press and release the **DOWN** Arrow Button to test the DOWN limit. The door will travel to the programmed DOWN limit.

The LED (indicator light) will stop flashing when the force has been set. The door must travel through a complete cycle, UP and DOWN, in order for the force to be set properly. If the unit cannot open and close your door fully, inspect your door to insure that it is not sticking or binding.



**Without a properly installed safety reversal system, persons (particularly small children) could be SERIOUSLY INJURED or KILLED by a closing door.**

- **Incorrect adjustment of garage door travel limits will interfere with proper operation of safety reversal system.**
- **NEVER use force adjustments to compensate for a binding or sticking garage door.**
- **After ANY adjustments are made, the safety reversal system MUST be tested. Door MUST reverse on contact with 40 mm high object laid flat on floor.**

## CAUTION

To prevent damage to vehicles, be sure fully open door provides adequate clearance.

figure 2

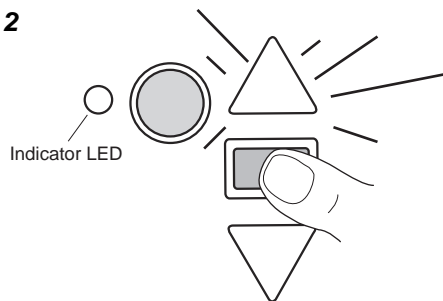


figure 3

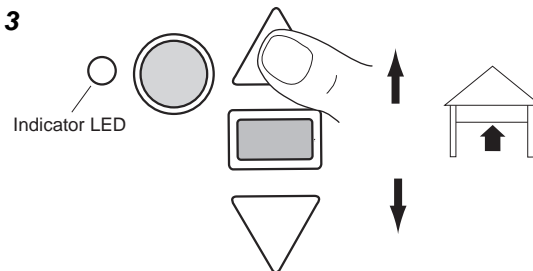


figure 4

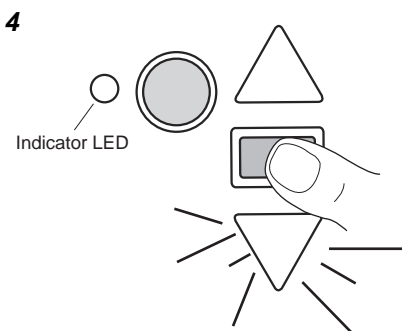
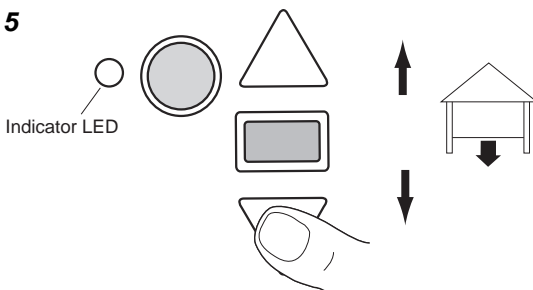


figure 5



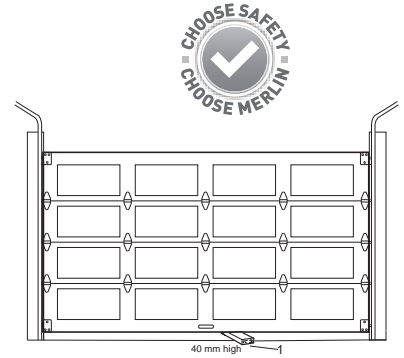
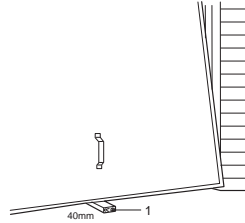
## 19 TEST THE SAFETY REVERSE SYSTEM



**The safety reverse system test is important. Garage door must reverse on contact with a 40 mm obstacle laid flat on the floor. Failure to properly adjust opener may result in serious personal injury from a closing garage door. Repeat test once a month and adjust as needed.**

**Procedure:** With door opened place a 40 mm obstacle (1) laid flat on the floor under the garage door. Operate the door in the down direction. The door must reverse off the obstacle. If the door stops on the obstacle, remove obstacle and repeat Program the Limits and Force Steps, then repeat safety reverse test.

When the door reverses off the 40 mm obstacle, remove the obstacle and run the opener through a complete travel cycle. Door must not reverse in closed position. If it does, repeat Program the Limits and Force then repeat safety reverse test.



## 20 PROGRAM THE TRAVEL SPEED (OPTIONAL)

### TRAVEL SPEED: Automatically selected:

There are two travel speeds available for this opener.

The speed is a function of door travel distance and is automatically set during the door travel limit setting process.

\* Travel distance longer than 2 metres = REGULAR speed

\* Travel distance shorter than 2 metres = SLOW speed (will suit tilt doors best.)

### TRAVEL SPEED: Manually selected:

The speed can be set manually if required, once the travel limits have been set, using the following method.

#### To activate the alternate speed:

PRESS and HOLD both the **UP** and **DOWN** arrows for 3 seconds. The courtesy lamp will flash once to confirm SLOW speed and twice to confirm REGULAR speed.

**To deactivate the selected speed:** Repeat the process above (toggle between the two settings).

## 21 PROGRAM THE LOW STANDBY MODE (OPTIONAL)

Low Standby Mode (sub 1 watt) is activated by the factory to deliver the lowest possible standby power.

In this mode the External Accessories Power and the IR Beams are turned OFF when the door is closed and the courtesy light is OFF.

At mains turn ON: Courtesy light flashes 2 times = Low Standby Mode

Courtesy light flashes 10 times = Normal Standby Mode

The Normal Standby Mode will need to be activated for External Accessories Power.

#### To Activate Normal Standby Mode:

Turn the mains power OFF.

PRESS and HOLD both the **UP** and **DOWN** arrows simultaneously.

Turn ON mains power while both the arrow buttons are still pressed.

Courtesy light comes on and after 5 seconds another 10 flashes.

Release the arrow buttons.

#### To Activate Low Standby Mode:

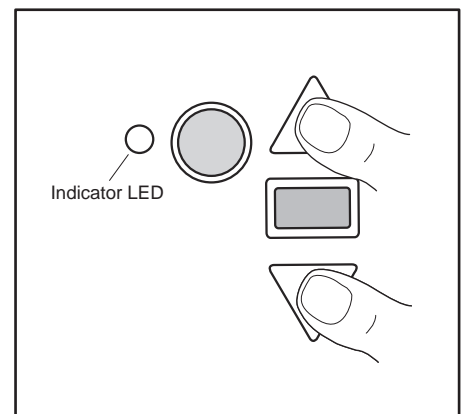
Turn the mains power OFF.

PRESS and HOLD both the **UP** and **DOWN** arrows simultaneously.

Turn ON mains power while both the arrow buttons are still pressed.

Courtesy light comes on and after 5 seconds another 1 flash.

Release the arrow buttons.



## 22 INSTALL THE PROTECTOR SYSTEM™ (OPTIONAL)



**NOTE:** This accessory must be used for all installations where the closing force as measured on the bottom of the door is over 400 N (40 kgf).

**SPECIAL NOTE:** Merlin strongly recommends that The Protector System™ be installed on all garage door openers.

**IR BEAMS:** By installing IR Beams, an open door is prevented from closing if a person or object is located in the beam area. If the door is already closing, it will return to the open position. A closed door is not prevented from opening.

If the Protector System™ is installed and needs to be removed, the opener will need to be reprogrammed (refer to paragraph 4 of the troubleshooting section).

### Assembly Process:

The IR Beams are supplied preassembled, complete with two sensors, wiring and wall brackets. (fig1 & fig2)

Install the mounting brackets and sensors to either side of the inside of the garage door, and at a height of no greater than 100 mm off the garage floor.

The brackets are designed to be used for Wall or Floor fixing, with a variety of hole combinations to achieve the desired results.

Drill the required holes and install the brackets with wall plugs and screws provided. Ensure they do not obstruct the door movement.

### Wiring Process:

Align the Sensors to face each other and tighten if necessary. The wiring should exit from the bottom of the housing to maintain the correct IP rating and continued operation.

One sensor is a Sending Eye, the other is a Receiving Eye. Try to avoid positioning these in direct sunlight as this may interfere with the operation of the beams.

Run both sets of wire back to the power head CONTROL PANEL. Ensure the wire is well supported and does not interfere or get damaged by movement of the door panels or spring hardware.

### Remove Power from the Unit:

At the Power head end, cut the wires to the correct length and strip each back around 10 mm.

Twist both **White** wires together and install into “quick release” terminal 2 (white) (fig 3)

Twist both **Black/White** wires together and install into “quick release” Terminal 3 (Grey) (fig 3)

(The sensors are a 2 wired system connected in a parallel configuration).

### Reinstall Power to the Unit:

When aligned correctly the Red LED on each sensor will remain “**ON constantly**”.

If incorrectly aligned both LEDs will “**flash**”.

Correct the alignment if necessary.

The opener is now ready to be checked for correct IR Beam operation.

**To prevent entrapment, install The Protector System™ no higher than 100 mm above the floor. Disconnect power to the garage door opener before installing The Protector System™.**

figure 1

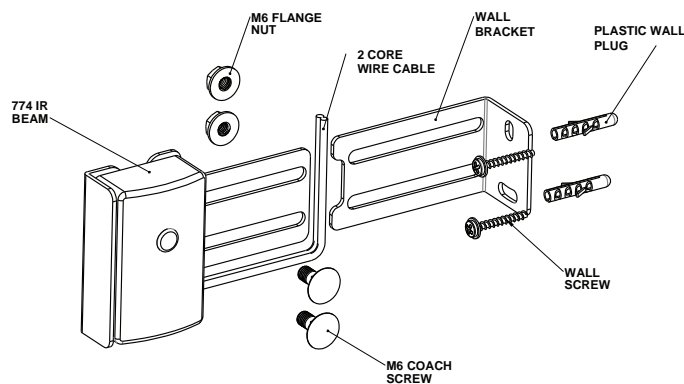


figure 2

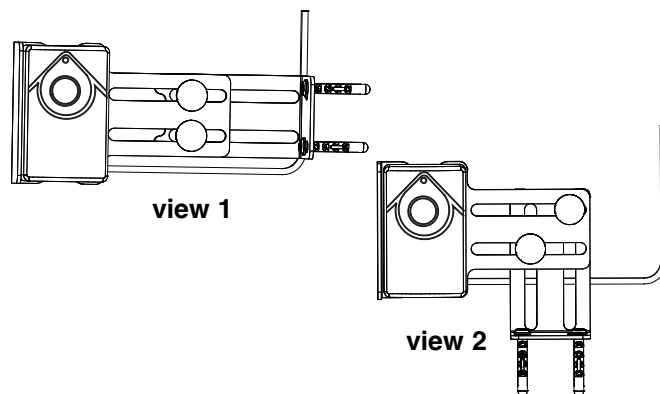
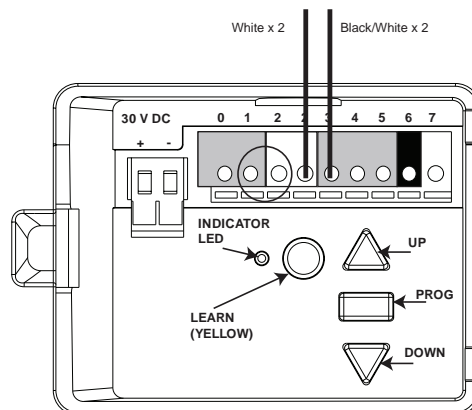


figure 3





## 23 TIMER TO CLOSE FEATURE (TTC)

**!** Door may operate unexpectedly, therefore do not allow anything to stay in the path of the door.

The Timer to Close feature requires The Protector System™ (IR Beams) to be installed.

### Operation:

This feature allows the door to automatically close from a fully open position after a specified time. The delay can be set from 10 to 180 seconds in 10 second increments, by using the opener control buttons.

If the door encounters an obstruction while closing, the door will stop and return to the UP position. The Courtesy lamp will then flash 10 times.

### To Activate TTC, or change a preset time:

1. Start with the door fully **CLOSED**.
2. Enter into TTC Activation mode by pressing both **PROG** and **DOWN** buttons together for 3 seconds (figure 2). Release when the courtesy light flashes twice.
3. Press the **UP** button once for each 10 second increment required of TTC (figure 3. eg. twice for 20 seconds). Press the **DOWN** arrow to reduce, if needed.
4. Press and release the **PROG** button to save this time (figure 4), Courtesy light will flash once. TTC is now activated.

**TEST:** Operate the door to the UP position. Keep clear of the IR Beams and check the door closes after the preset time.

### To Deactivate TTC:

1. Enter into TTC Activation mode by pressing both **PROG** and **DOWN** buttons together for 3 seconds (figure 2). Release when the courtesy light flashes twice.
2. Press and release the **PROG** button to save (figure 4), courtesy light will flash once. TTC is now deactivated.

figure 1

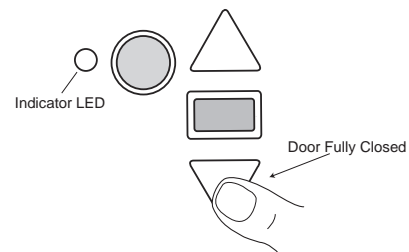


figure 2

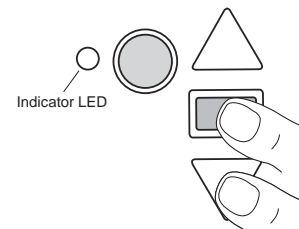


figure 3

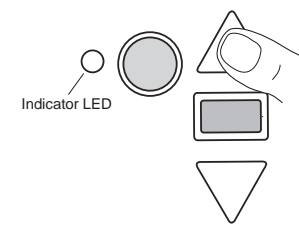


figure 4

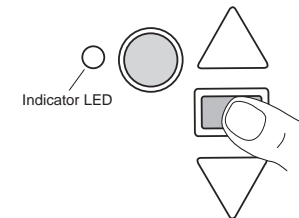


figure 5



## 24 INSTALLING YOUR E138M WIRELESS WALL BUTTON

**NOTE:** The wall control supplied with your opener should be pre-programmed by the factory. If adding a new wall control, program into the opener before mounting the unit as detailed in Wireless Programming.

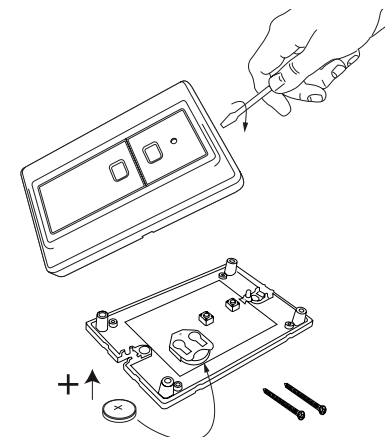
**!** Disconnect power to the opener before installing this accessory to prevent accidental activation. Locate minimum 1.5 m above the floor.

### To install:

- Carefully pry open the E138M and locate the two screws for mounting.
- Attach to the wall using the two screws provided. If mounting to a plaster wall, wall plugs may be required.

**NOTE:** Do not overtighten screws.

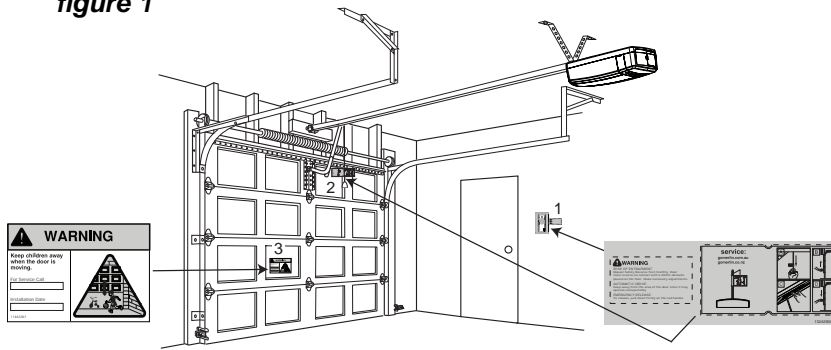
- Replace the front cover plate.





## 25 INSTALL WARNING LABELS

figure 1



Three warning labels are provided with this opener: attach as indicated in the fig 1 to a clean and suitable surface.

1. Risk of entrapment: (English version) - place close to a fixed Wall Control(1).
2. EMERGENCY Release/Service label: - place on the Manual Release cord (2).
3. WARNING Child Entrapment: (triangle label) - place on a low inside panel of the door (3).

## 26 PARTIAL OPENING FEATURE (PET)

This is an adjustable, second stop position suitable for ventilation, pedestrian or pet access, programmed to the Remote Control.

### To Activate this feature:

1. Start with the door fully **CLOSED** (figure 1). Drive the opener UP (figure 2) and stop at the position required for **PET** access.
2. Enter PET activation mode by pressing the **PROG** and **UP** buttons together for 3 seconds (figure 3). Release when the Courtesy light flashes once.
3. Press the Remote Control button that you have allocated for this feature (figure 4). Do not use the button already allocated for normal operation. The Courtesy light will flash once when the code is accepted.

**TEST:** Press the Remote Control once, and door will close, press again, and door will return to the preset position.

If the door is above the preset position, when the button is pressed, it will fully close.

To Deactivate this feature:

1. Start with the door fully **CLOSED**.
2. Enter PET deactivation mode by pressing the **PROG** and **UP** buttons together for 3 seconds (figure 3). The Courtesy light will flash twice, indicating the deactivation has occurred.

**NOTE:** Erasing all remote control codes, as in the **Wireless programming** section, will also delete this feature.

figure 1

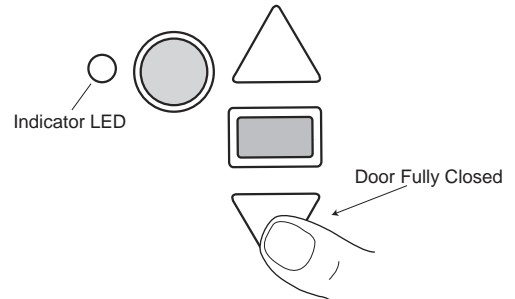


figure 2

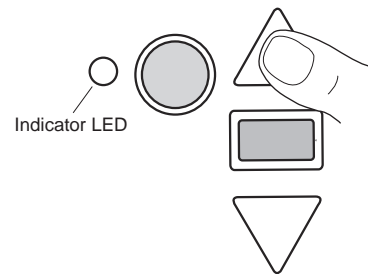


figure 3

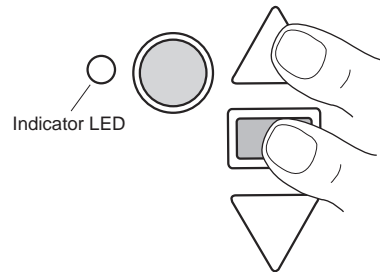


figure 4



## 27 WIRELESS PROGRAMMING (OPTIONAL ACCESSORIES)



**Activate the opener only when door is in full view, free of obstruction and properly adjusted. No one should enter or leave garage while door is in motion. Do not allow children to operate push button(s) or remote(s). Do not allow children to play near the door.**

**NOTE: The transmitter(s) and wireless wall button supplied with your opener are preprogrammed by the factory.**

If you purchase additional transmitters, the garage door opener must be programmed to accept the new remote code.

### Program the Receiver to Match Additional Transmitter Codes:

#### Using the yellow "LEARN" Button

1. Press and Hold the button on the hand-held remote or wall button that you wish to use (1).
2. Press and release the yellow "LEARN" buton on the opener (2).
3. Release the remote button when the opener light flashes. It has learnt the code. If you release the remote control push button before the opener light flashes, the opener has not learned the code.

Now the opener will operate when the remote control push button is pressed.

#### To Erase all Remote Control Codes

1. Press and Hold the yellow "LEARN" button on the opener until the indicator LED goes ON, and continue holding for approx. 6 seconds, until the indicator LED goes out.
1. Release the button, all codes are now erased.

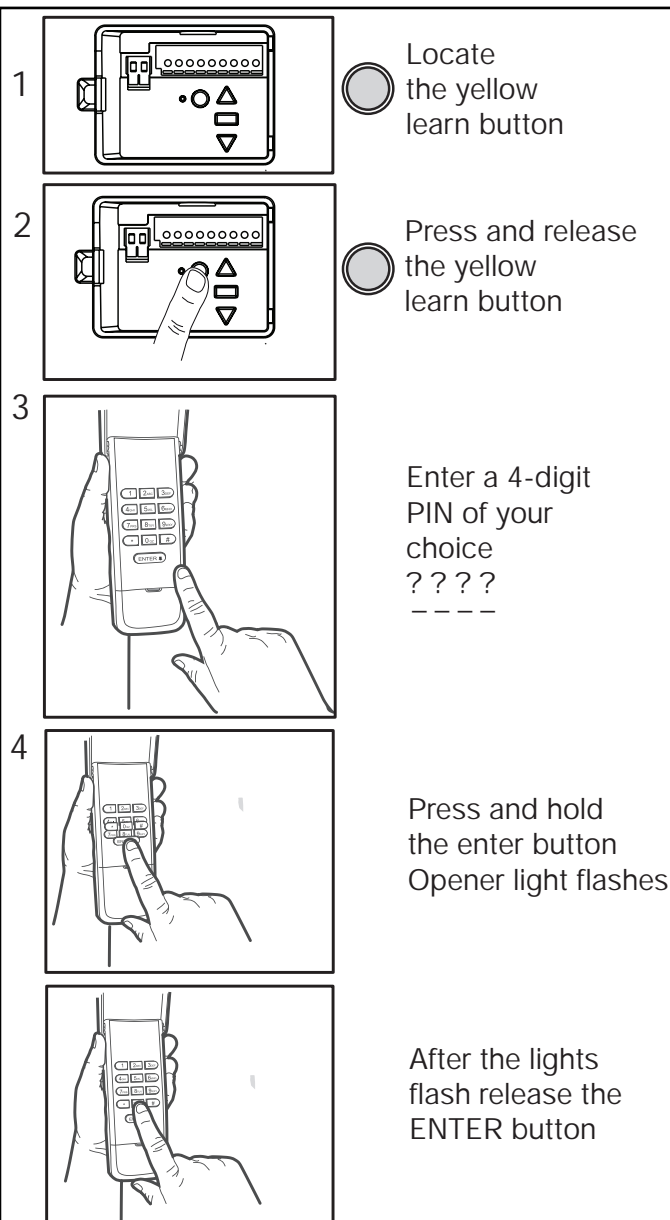
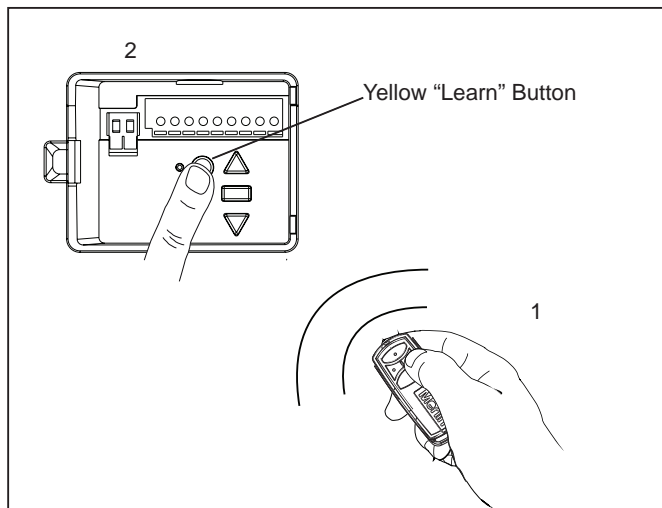
### Wireless Keypad E840M

#### To set the keyless entry PIN:

1. Locate the yellow "LEARN" button on the garage door opener.
2. Press and release the yellow "LEARN" button. The LED indicator light will glow steadily.
3. Enter a 4-digit personal identification number (PIN) of your choice on the keypad.
4. Press and hold the ENTER button. Check to see if the opener light flashes. Release the ENTER button after the light flashes.

#### To change an existing keyless entry PIN:

1. Enter the existing programmed PIN that you want to change.
2. Press and hold the # button until the courtesy light flashes twice.
3. Enter the new 4-digit PIN of your choice, then press the ENTER button. The light will flash once.
4. To test, enter the new PIN, then press the ENTER button. The garage door opener will activate.



## 28 USING YOUR OPENER

- Your opener can be activated by any of the following devices:
  - **Opener control panel:** Up and Down Buttons and Green O.S.C.
  - **The Outside Keyswitch or Keyless Entry System** (if you have installed either of these accessories).
  - **The Remote Control Transmitter.** Hold the push button down until the door starts to move.

**2. Opening the Door Manually: Door should be fully closed if possible. Weak or broken springs could allow an open door to fall rapidly. Property damage or serious personal injury could result.**

**NOTE: For full instructions on how to operate the door manually refer to section 17.**

The door can be opened manually by pulling the release handle down. To reconnect the door, press the Green button in the centre of the trolley assembly.

**Do not use the manual release handle to pull the door open or closed.**

### 3. When the Opener is Activated by Remote Control:

- If open, the door will close. If closed, the door will open.
- If closing, the door will stop.
- If opening, the door will stop (allowing space for entry and exit of pets and for fresh air).
- If the door has been stopped in a partially open or closed position, it will reverse direction.
- If an obstruction is encountered while closing, the door will reverse to the UP limit.
- If an obstruction is encountered while opening, the door will reverse and stop.
- The optional Protector System™ uses an invisible beam which, when broken by an obstruction, causes a closing door to open and prevents an open door from closing. It is **STRONGLY RECOMMENDED** for homeowners with young children.

**4. The opener lights will turn on under the following conditions:** when the opener is initially plugged in; when power is restored after interruption or when the opener is activated.

Lights will turn off automatically after 2-1/2 minutes.

## 29 CARE OF YOUR OPENER

### Once a Month

- Manually operate door. If it is unbalanced or binding, call a qualified door technician.
- Check to be sure door opens & closes fully. Adjust limits and/or force if necessary.
- Repeat the safety reverse test. Make any necessary adjustments.

### Once a Year

- Lightly grease the belt and inside the rail assembly where the trolley slides.
- Internally the opener does not require additional lubrication.
- Lightly grease the belt and inside the rail assembly where the trolley slides. Be careful to use gloves around any sharp metal edge or the rail.

## 30 REPLACE BATTERIES IN REMOTES

### Battery of the remote control:

The batteries in the remote have an extremely long life. If the transmission range decreases, the batteries must be replaced. Batteries are not covered by the warranty.



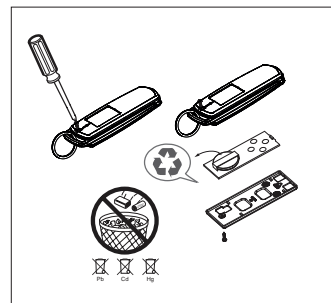
**To prevent SERIOUS INJURY OR DEATH: observe the following instructions for the battery**

- **NEVER allow small children near batteries.**
- **If battery is swallowed, immediately notify doctor.**
- **Danger of explosion if battery is replaced improperly.**
- **Replacement only by identical or equivalent type.**
- **Dispose of old battery properly. Batteries should not be treated as household waste. All consumers are required by law to dispose of batteries properly at the designated collection points.**
- **Never recharge batteries that are not meant to be recharged.**
- **Do not short-circuit batteries or take them apart.**
- **If necessary, clean contacts on batteries and contacts before loading.**
- **Never expose batteries to excessive heat such as sunshine, fire or the like!**

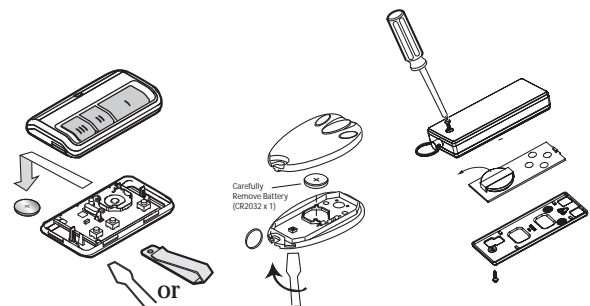
### Replacing battery (CR2032):

To replace battery, turn remote control around and open the case with a screwdriver. Lift cover and lift control board below. Slide battery to one side and remove. Observe polarity of battery!

Assemble again in reverse direction.



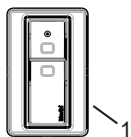
To replace battery for optional remote control transmitters - E950M, E943M, E940M & E945M, use a screwdriver blade to pry open the case as shown. Insert battery positive side up.



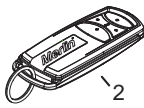
## 31 ACCESSORIES

(1) Model E138M	Wireless wall button	(6) Model E945M	3 Channel mini remote control
(2) Model E960M	4 Channel remote control	(7) Model E840M	Keyless entry system
(3) Model E950M	4 Channel remote control	(8) Model 774ANZ	The Protector System™
(4) Model E940M	1 Channel visor remote control	(9) Model E1702M	Quick release lock
(5) Model E943M	3 Channel visor remote control	(10) Model 760E	Outside keyswitch

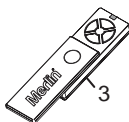
E138M



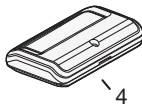
E960M



E950M



E940M



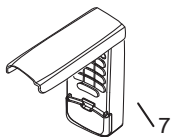
E943M



E945M



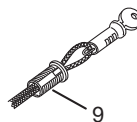
E840M



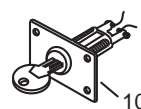
774ANZ



E1702M

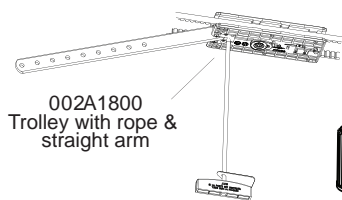


760E

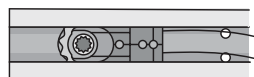


**NOTE:** Use of any Chamberlain Group accessories are approved to use with this opener. This includes genuine Merlin accessories. Generic compatible accessories are **NOT** approved for use with this opener.

## 32 RAIL HARDWARE



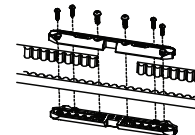
002A1800  
Trolley with rope &  
straight arm



041A4020R  
Sprocket assembly



041A4017-1  
Motor shaft adapter



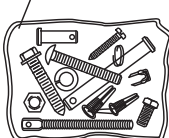
041A4021R  
Trolley latch (belt)

One piece rail assembly  
7024CR5 2.4 m

041A4038  
Pulley assembly



004C5600  
Hardware bag



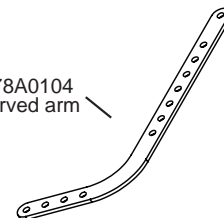
083A0011  
Grease



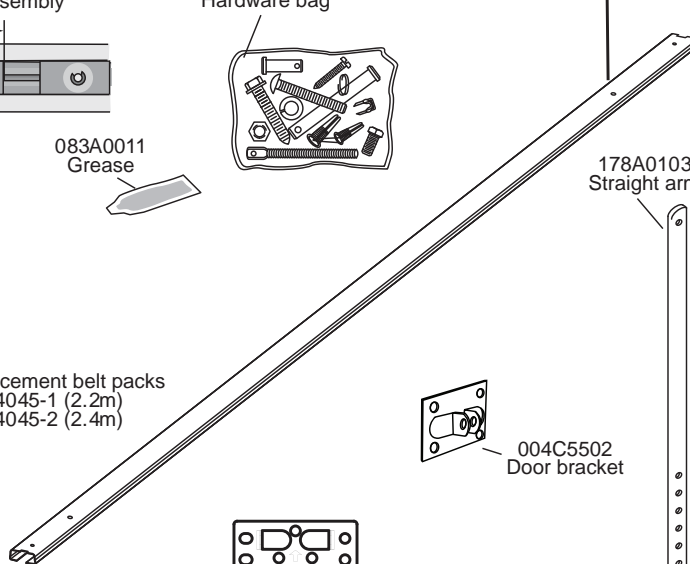
041A4016R  
Position tab (belt)



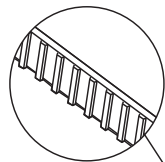
178A0104  
Curved arm



178A0103  
Straight arm



Replacement belt packs  
041A4045-1 (2.2m)  
041A4045-2 (2.4m)



004C5502  
Door bracket

012C0778  
Hanging brackets



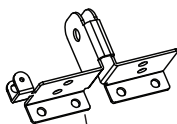
012C0788-1  
Header bracket



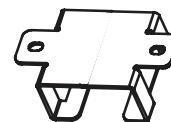
041A4039  
C-Rail bracket



041A4036  
Centre Rail bracket



012A1027  
Tilt Door bracket

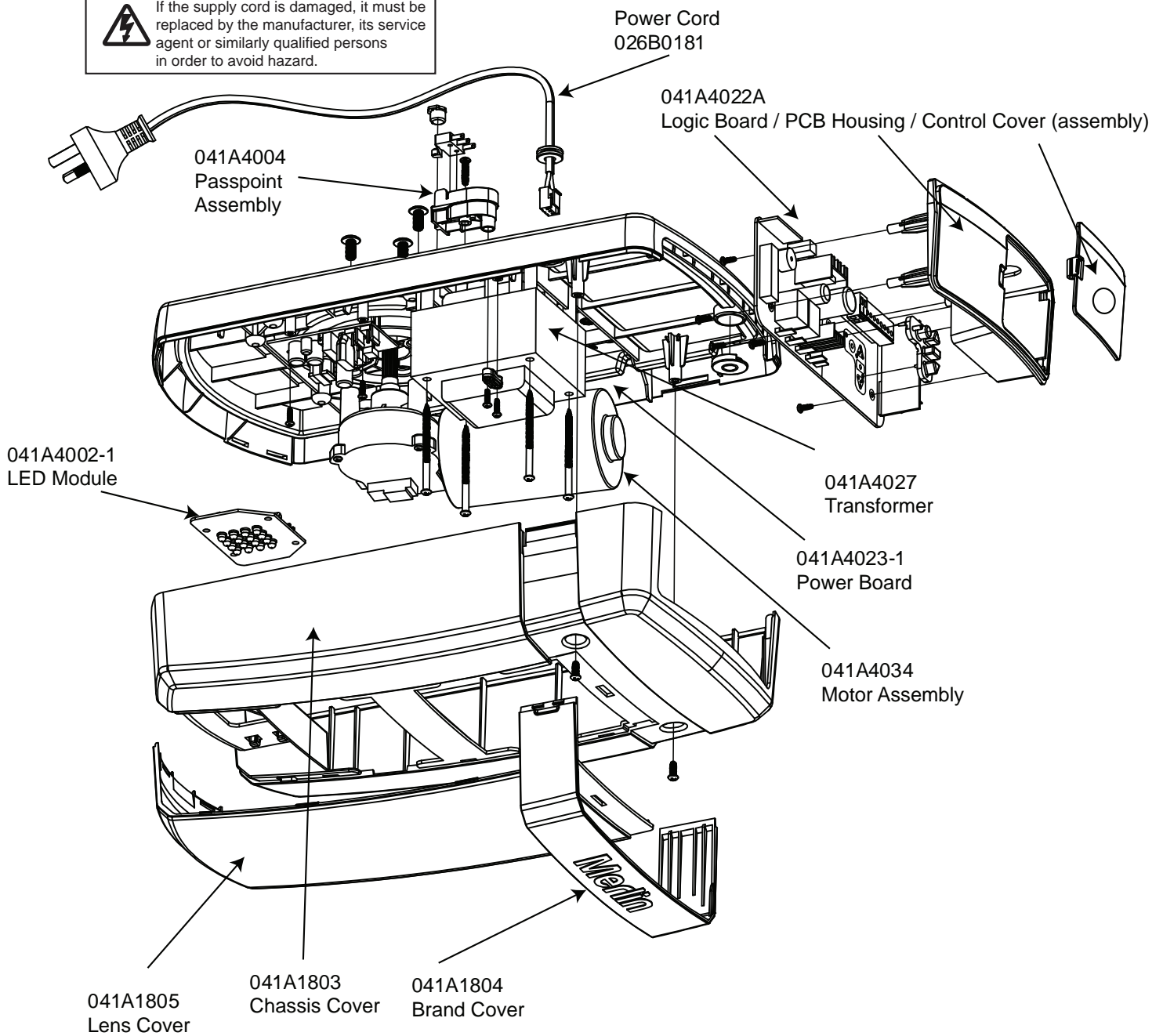


012A1028  
Rail bracket

### 33 REPLACEMENT PARTS



If the supply cord is damaged, it must be replaced by the manufacturer, its service agent or similarly qualified persons in order to avoid hazard.



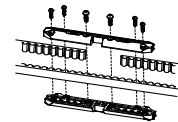
#### RAIL REPLACEMENT PARTS



041A4017-1  
Motor shaft adapter



041A4016R  
Position tab (belt)



041A4021R  
Trolley latch (belt)

## **34 TROUBLE SHOOTING**

### **1. Opener doesn't operate from either door control or remote:**

- Does the opener have electric power? Plug lamp into outlet. If it doesn't light, check the fuse box or the circuit breaker. (Some outlets are controlled by a wall switch.)
- Have you disengaged all door locks? Review installation instruction warnings on page 1.
- Is there a build-up of ice or snow under door? The door may be frozen to ground. Remove any obstruction.
- The garage door spring may be broken. Have it replaced.

### **2. Door operates from door control but not from remote:**

- Replace batteries in the remote if necessary.
- If you have two or more remotes and only one operates, review Program Your Opener, Remote and Keyless Entry.

### **3. Remote has short range:**

- Check the battery in the remote is fully charged.
- Change the location of the remote control in the car.
- A metal garage door, foil-backed insulation or metal siding will reduce the transmission range.

### **4. Door reverses for no apparent reason and opener light flashes 10 times:**

- Check The Protector System™ (if you have installed this accessory). If the light is flashing, correct alignment.

If the Protector System™ is installed and needs to be removed, the Opener will need to be reprogrammed as follows:

- Remove the IR Beam wiring from the Opener
- Turn the power OFF for 5 seconds
- Turn the power ON for 5 seconds
- Again turn the power OFF for 5 seconds
- Turn the power back on and test the opener for normal operation.

### **5. The garage door opens and closes by itself:**

Make sure remote push button is not stuck "on".

### **6. Door stops but doesn't close completely:**

Repeat Programming the Travel Limits.  
Repeat safety reverse test after any adjustment of door arm length, close force or down limit adjustments.

### **7. Door opens but won't close:**

- Check The Protector System™ (if you have installed this accessory). If the light on the Beams are flashing, correct the alignment.
- If opener light does not flash and it is a new installation, repeat Programming the Travel Limits.

Repeat the safety reverse test after the adjustment is complete.

### **8. Opener strains:**

Door may be unbalanced or springs are broken. Close door and use manual release rope and handle to disconnect trolley. Open and close door manually. A properly balanced door will stay in any point of travel while being supported entirely by its springs. If it does not, call for professional garage door service to correct the problem.

### **9. Opener hums briefly, then won't work:**

- Garage door springs are broken. SEE ABOVE.
- If problem occurs on first operation of opener, door is locked. Disable door lock.

Repeat safety reverse test after adjustment is complete.

### **10. Opener won't activate due to power failure:**

- Pull manual release rope and handle down once to disconnect trolley. Door can be opened and closed manually. When the power is restored, press the "GREEN" button in the centre of the trolley assembly. The next time the opener is activated, the trolley will re-connect.
- The Outside Quick Release accessory (if fitted) disconnects the trolley from outside the garage in case of power failure.

### **11. The opener runs, but the carriage does not move:**

- Check the carriage is not disengaged from the opener. Operate the manual release to re-engage the opener.
- In a new installation, the preassembled Motor Shaft Adapter may have fallen out of the belt sprocket assembly. This adapter is installed during the manufacturing process and may have dislodged.
- In older installations, especially on excessively heavy doors, check the Motor Shaft Adapter has not stripped.

### **12. The Up and DOWN arrows on the control panel are flashing in sequence:**

Check the diagnostic code on next page.

## 35 DIAGNOSTIC CHART

Your garage door opener is programmed with self-diagnostic capabilities. The **UP** and **DOWN** arrows on the garage opener flash the diagnostic codes.

<b>DIAGNOSTIC CODE</b>		<b>SYMPTOM</b>	<b>POSSIBLE RESOLUTION</b>
<b>UP Arrow Flash(es)</b>	<b>DOWN Arrow Flash(es)</b>		
1	1	The garage door opener will not close and the courtesy light flashes.	Safety sensors are not installed, connected or wires may be cut. Inspect sensor wires for a disconnected or cut wire.
1	2	The garage door opener will not close and the courtesy light flashes.	There is a short or reversed wire for the safety sensors. Inspect safety sensor wire at all staple points and connection points and replace wire or correct as needed.
1	3	The door control will not function.	The wires for the door control are shorted or the door control is faulty. Inspect safety sensor wire at all staple points and connection points and replace wire or correct as needed.
1	4	The garage door opener will not close and the courtesy light flashes.	Safety sensors are misaligned or were momentarily obstructed. Realign both sensors to ensure both LEDs are steady and not flickering. Make sure nothing is hanging or mounted on the door that would interrupt the sensors path while closing.
1	5	There is no door movement or motor accelerates before stopping suddenly.	No RPM pulses have been detected. Check the door manually for balance, binding or obstructions. Internally the possible cause may be the motor, logic board or RPM sensor. Try resetting door travel limits. Contact service centre.
1	6	Door continues to move after the motor stops.	RPM pulses have been detected after motor has turned off. Possible broken spring. Check the door is correctly balanced and not creeping up or down. Contact a door service centre.
2	1-5	Opener fails to operate.	Possible logic board failure. Reboot opener by turning the mains power OFF and then ON after 15 seconds. Reprogram the door travel limits and force settings. Contact service centre.
2	6	Unable to set travel limit down direction. Passpoint has not been recognised during programming.	Check the passpoint module has been activated by the belt Position Tab, during the door travel. Reset the travel limits.
3	2	Unable to set the travel or retain position.	Check travel module for proper assembly, replace if necessary.
3	3	The battery status LED* is constantly flashing green.	Battery backup charging circuit error, replace logic board. *(if applicable)
4	1-4	Door is moving stops and or reverses.	Manually open and close the door. Check for binding or obstructions, such as a broken spring or door lock. If the door is binding or sticking contact a trained door systems technician. If door is not binding or sticking attempt to reprogram travel (refer to "Program the Travel Limits and Force" section).
4	5	Opener runs approximately 150 mm to 200 mm, stops and reverses.	Communication error to travel module. Check travel module connections, replace module if necessary.
4	6	The garage door opener will not close and the courtesy light flashes.	Safety sensors are misaligned or were momentarily obstructed. Realign both sensors to ensure both LEDs are steady and not flickering. Make sure nothing is hanging or mounted on the door that would interrupt the sensor's path while closing.
5	1-4	Door fails to operate or operates erratically. External accessory wiring failure.	Check the external wiring to the control panel terminal is wired correctly. Turn off power, remove all external wiring, and retest door operation.
5	5	Door opener fails to operate	Low internal voltage on the Logic Board, possible power transformer or logic board failure. Service required, call a trained service specialist.



## **36 SPECIFICATIONS - tiltmaster - MT100EVO**

Input Voltage.....230-240 Vac, 50 Hz  
Max. Pull Force .....1000 N  
Power .....225 Watt  
Standby Power .....0.8 Watt (door fully closed)  
Normal Torque .....7 Nm  
Max door weight.....130 kg  
Max lift under spring tension ....20 kg  
Max door area.....Sectional door Tilt Doors 20 m<sup>2</sup>

### **Motor**

Type.....DC gearmotor permanent lubrication  
Noise level .....54 db at 1 metre

### **Drive Mechanism**

Drive .....Belt with one-piece trolley on steel rail.  
Length of Travel.....Adjustable to 3.0 m  
LED light.....25 Watt equivalent

Door Linkage .....Adjustable door arm. Pull cord trolley release.

### **Safety**

Personal .....Push button stop in **UP and DOWN** direction. Automatic safety reverse in both **UP and DOWN** direction.  
Electronic.....Automatic force adjustment  
Electrical .....Transformer overload protector and low voltage push button wiring.  
Limit Device .....Mechanical Passpoint/RPM sensor  
Limit Adjustment .....Electronic  
Soft-start/Soft-stop

### **Dimensions**

Length (Overall).....3.24 m  
Headroom Required .....30 mm  
Hanging Weight.....12 kg

### **Receiver**

Memory Registers .....64 handset codes  
4 keypad devices - 1 code each

Operating  
Frequency.....433.30/433.92/434.54 MHz

# Warranty Registration

To validate your warranty you must complete  
the registration form online at:

[gomerlin.com.au/warranty](http://gomerlin.com.au/warranty)

or

[gomerlin.co.nz/warranty](http://gomerlin.co.nz/warranty)

**Merlin**<sup>®</sup>  
Powering Garage Doors

™ Trademark of The Chamberlain Group, Inc.

® Registered Trademark of The Chamberlain Group, Inc.

© 2017, The Chamberlain Group Inc.

**CHAMBERLAIN LIMITED WARRANTY**  
**Merlin® Professional Tiltmaster® MT100EVO**  
**Sectional Garage Door Opener**

Chamberlain Australia Pty Limited / Chamberlain New Zealand Limited (**Chamberlain**), the manufacturer of Merlin® automatic garage door openers, is committed to manufacturing and supplying high quality goods. As part of this commitment, we seek to provide reliable service and support for our goods and are pleased to provide you, the original purchaser, with this Chamberlain Limited Warranty.

The benefits given to you under this Chamberlain Limited Warranty are in addition to any rights and remedies that you may have under Australian or New Zealand consumer protection laws. Our goods come with guarantees that cannot be excluded under the Australian Consumer Law, or New Zealand Consumer Guarantees Act 1993. You are entitled to a replacement or refund for a major failure and for compensation for any other reasonably foreseeable loss or damage. You are also entitled to have the goods repaired or replaced if the goods fail to be of acceptable quality and the failure does not amount to a major failure.

**Chamberlain's warranty**

**What is covered**

Chamberlain warrants to the original purchaser of the Merlin Tiltmaster MT100EVO Sectional Door Opener (Unit) that all parts of the Unit, other than remote controlled transmitters and accessories, globes and batteries, are free from defects in materials and workmanship for a period of 84 months or 15,000 cycles (each opening & closing of the garage door equals 1 cycle) whichever comes first, from the date of purchase when installed by a Professional dealer appointed or authorised by Chamberlain in a residential premise with a residential specified garage door that is designed for the sole purpose of a single-family dwelling.

Chamberlain warrants that the remote controlled transmitters (E960M) included with the Unit are free from defects in materials and workmanship for a period of 24 months from the date of purchase and all other accessories included with the Unit are free from defects in materials and workmanship for a period of 12 months from the date of purchase.

**What is not covered**

Batteries and globes are not covered under the Chamberlain Limited Warranty.

Travel costs incurred by Chamberlain or the Professional Dealer in either travelling to or from areas outside a capital city metropolitan area. These costs will be at the purchaser's expense.

Additional access costs incurred by a Professional Dealer or Chamberlain in obtaining access where the Unit is not readily accessible. These cost will be at the purchaser's expense.

**Warranty Conditions**

It is a condition of this Chamberlain Limited Warranty that the Unit is sold, installed and serviced by a Professional Dealer appointed or authorised by Chamberlain. A Merlin branded garage door opener purchased over the internet and installed by a person other than a Professional Dealer will not be covered by this Chamberlain Limited Warranty.

It is also a condition of this Chamberlain Limited Warranty that for the operating life of the Unit:

- 1 the garage door is spring balanced, is operable by hand and opens and closes with no more than a maximum of 20 kg of lifting weight;
- 2 the garage door and the Unit is professionally maintained and serviced by a Professional Dealer, at a minimum, during the third and fifth years of the Chamberlain Limited Warranty period such that the spring balanced door operates according to manufacturer specifications. If your door binds, sticks, or is out of balance, then it must not be used until serviced by a trained door technician or Professional Dealer. The garage door service fee will be at the purchaser's expense;
- 3 the warranty is registered by completing the online form at [www.gomerlin.com.au](http://www.gomerlin.com.au) or [www.gomerlin.co.nz](http://www.gomerlin.co.nz); and
- 4 you retain your sales docket or invoice as proof of purchase, and attach it to this manual to enable you to establish the date of purchase in the unlikely event of a warranty service being required.

**Making a claim**

During the applicable Chamberlain Limited Warranty period, if you are concerned that the Unit may be defective, call the Professional Dealer that sold/installed the opener, or our service centre on the toll free number below and a Chamberlain technician will diagnose the problem and arrange for this to be rectified. Once the problem has been diagnosed, subject to your rights under the applicable Australian and New Zealand consumer protection laws with respect to major failures, Chamberlain or its Professional Dealer will provide you with either, repairs to the Unit or a replacement Unit.

Repairs and replacement parts provided under this Chamberlain Limited Warranty are provided free of charge and are warranted for the remaining portion of the original warranty period.

This Chamberlain Limited Warranty provides benefits which are in addition to your other rights and remedies as a consumer.

**Exclusions - what voids the warranty**

If our service centre determines that a warranty claim has been made in respect of a failure or defect arising under or out of any exclusion detailed below such that the claim is not covered under this Chamberlain Limited Warranty, we may, subject to your other rights and remedies as a consumer, charge you a fee to repair, replace and/or return the Unit to you.

This Chamberlain Limited Warranty does not cover any failure of, or defect in, the Unit due to:

- 1 non-compliance with the instructions regarding specifications, installation, operation, maintenance and testing of the Unit or of any product with which the Unit is used;
- 2 any attempt by a person other than a Professional Dealer to repair, dismantle, reinstall or move the Unit to another location once it has been installed;
- 3 use of any copy, imitation or replica garage door remotes with your Merlin Unit;
- 4 tampering, neglect, abuse, wear and tear, accident, electrical storm, excessive use or conditions other than normal domestic use;
- 5 problems with, or relating to, the garage door or garage door hardware, including but not limited to the door springs, door rollers, door alignment or hinges;
- 6 problems caused by electrical faults or replacement of batteries or light bulbs, blown fuses, electrical surges, power surges or power strikes, fire, flood, rain, water, lightning or storms;
- 7 water or moisture ingress that causes corrosion or electrical malfunction;
- 8 corrosion caused by sea air if located near a waterway, beach etc;
- 9 fitment to a commercial door or in a commercial operating application, installation of a residential garage door opener in a commercial or industrial premises other than a single-family dwelling.
- 10 lack of proper maintenance, service or care of the door and Unit;
- 11 any unauthorised modification to the Unit; or
- 12 damage caused by insects, pests or other after sale damage caused by events or accidents outside Chamberlain's reasonable control and not arising under normal and standard operating conditions.

NB: A General Purpose Outlet (GPO) ie: power point must be supplied by the consumer as this electrical fitting does not form a part of the Unit (opener).

If this Chamberlain Limited Warranty does not apply, you may have rights available to you under the Australian and New Zealand consumer protection laws.

**Liability – Australia only**

Except as set out in the Australian Consumer Law (being Schedule 2 of the *Competition and Consumer Act 2010*) (as amended, consolidated or replaced):

- 1 all other guarantees, warranties and representations in relation to the Unit or its supply are excluded to the extent that Chamberlain can lawfully exclude them; and
- 2 under no circumstances will Chamberlain be liable for consequential, incidental or special damages arising in connection with the use, or inability to use, the Unit, other than those which were reasonably foreseeable as liable to result from the failure.

**Liability – New Zealand only**

Except as set out in the *Fair Trading Act 1986 and the Consumer Guarantees Act 1993* (as amended, consolidated or replaced):

- 1 all other guarantees, warranties and representations in relation to the Unit or its supply are excluded to the extent that Chamberlain can lawfully exclude them; and
- 2 under no circumstances will Chamberlain be liable for consequential, incidental or special damages arising in connection with the use, or inability to use, the Unit, other than those which were reasonably foreseeable as liable to result from the failure.

**Note**

Chamberlain reserves the right to change the design and specifications of the Unit without prior notification. Some features or accessories of the Unit may not be available in certain markets or areas. Please check with your distributor.

**Chamberlain service centre contact details**

**Australia**

Phone toll free 1800 638 234  
Fax toll free 1800 888 121  
Website: [gomerlin.com.au](http://gomerlin.com.au)

**Chamberlain Australia Pty. Ltd.**

Unit1, 75 Epping Road  
North Ryde NSW 2113  
(PO BOX 1446, Lane Cove NSW 1595)

**New Zealand**

Phone toll free 0800 653 667  
Fax toll free 0800 653 663  
Website: [gomerlin.co.nz](http://gomerlin.co.nz)  
Email: [customerservice@chamberlainnz.com](mailto:customerservice@chamberlainnz.com)