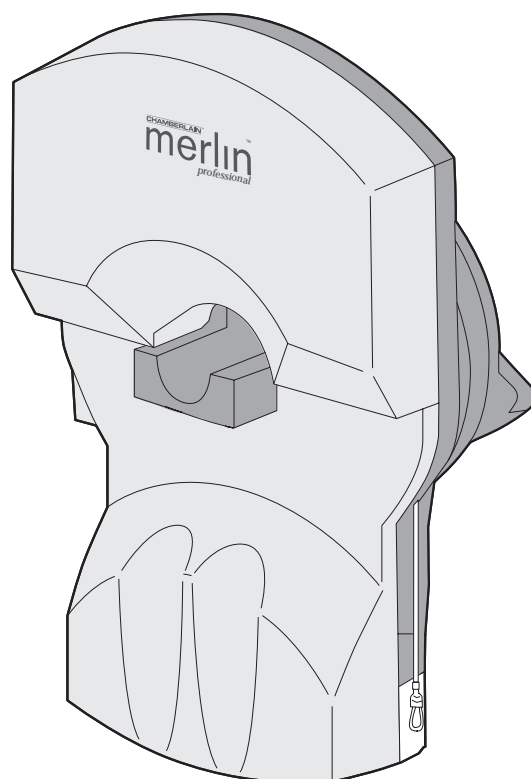


CHAMBERLAIN™
merlin™
professional



**Installation and operating
instructions
Model MR800a / MR600a**

www.chamberlainanz.com


N2966

Start by Reading These Important Safety Instructions

WARNING: Failure to comply with the following instructions may result in serious personal injury or property damage.



- Read these instructions carefully and follow ALL instructions carefully
- The garage door opener is designed and tested to offer reasonable safe service provided it is installed and operated in strict accordance with the instructions in this manual.



These safety alert symbols mean **WARNING** – a personal safety or property damage instruction. Read these instructions carefully.

Warning: If your garage has no service entrance door, a 1702AML outside quick release must be installed. This accessory allows manual operation of the garage door from outside in case of power failure.



Keep garage door balanced. Do not let the garage door opener compensate for a binding or sticking garage door. Sticking or binding doors must be repaired. Garage doors, door springs, brackets and their hardware are under extreme tension and can cause serious personal injury.



Do not wear rings, watches or loose clothing while installing or servicing a garage door opener.



To avoid serious personal injury from entanglement, **remove all ropes, chains and locks connected to the garage door** before installing the door opener.



Installation and wiring must be in compliance with your local building and electrical codes.



The safety reverse system test is very important. Your garage door **MUST** reverse on contact with a 40mm obstacle placed on the floor. Failure to properly adjust the opener may result in serious personal injury from a closing garage door. **Repeat the test once a month and make any necessary adjustments.**



This opener should not be installed in a damp or wet space.



Take care when operating the manual release as an open door may fall rapidly due to weak or broken springs, or being out of balance.



The drive must not be used on a wicket door (door within a door)



The Protector System must be used for all installations where the closing force as measured on the bottom of the door is over 400N (40kgf). Excessive force will interfere with the proper operation of the Safety Reverse System or damage the garage door.



After installation, ensure that the parts of the door do not extend over public footpaths or roads.



Disengage all existing garage door locks to avoid damage to garage door.



Install the wireless wall control (or any additional wall control) **in a location where the garage door is visible, at a height of at least 1.5m and out of the reach of children. The appliance is not intended for use by young children or infirm persons without supervision.** Serious personal injury from a closing garage door may result from misuse of the opener.



Permanently fasten the **Warning Label** adjacent to the wall control as a reminder of safe operating procedures.



Activate opener only when the door is in full view, free of obstructions and the opener is properly adjusted. No one should enter or leave the garage while the door is in motion.



Do not allow children to play near the door.

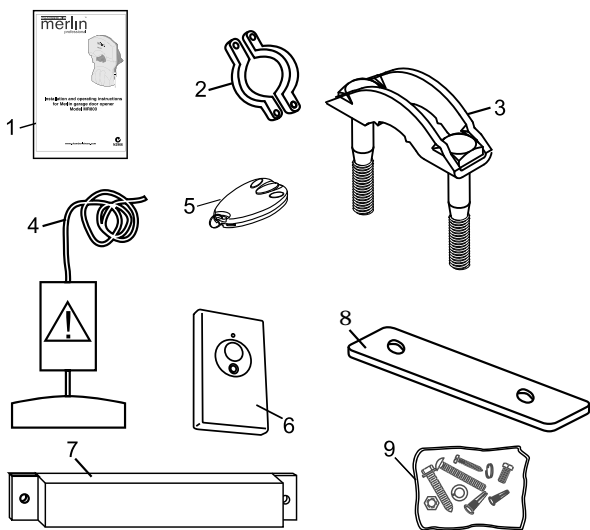


Disconnect electric power to the garage door opener before making repairs or removing covers.

SAVE THESE INSTRUCTIONS

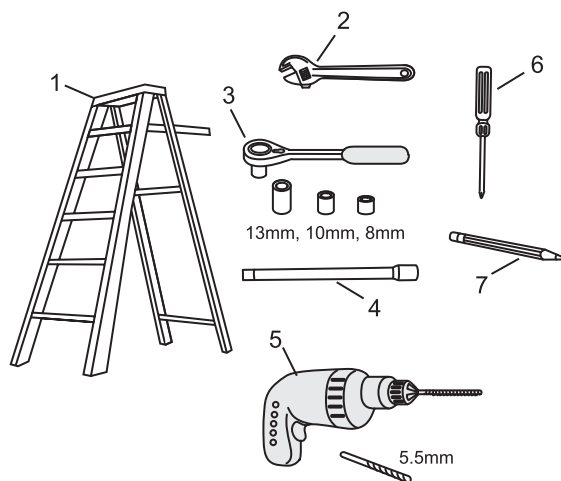
1 Carton Inventory

1. Instruction manual (this document)
2. Stop bracket collar
3. Clamp bracket
4. Release handle and cord
5. C945 remote control (2)
6. CM128 wireless wall control (MR800a)
7. Weight bar
8. Bracket plate
9. Hardware bag



2 Tools Required

1. Ladder (or similar device to safely support door weight)
2. Adjustable wrench for U-bolts already installed on the door
3. 8mm socket, 10mm socket and 13mm extended socket and socket wrench
4. 12inch socket extension (for minimum side-room installations)
5. Drill and 5.5mm drill bit
6. Philip's head screw driver
7. Marker Pen



3 Door Requirements

MR800a

Max door height 4.5m

Max curtain area 14.5m sq
with Protector 16.5m sq*

*The Protector System™ (Safety Beams) must be installed if the force at the edge of the closing door force exceeds 400N (40kgf).

Door shaft diameter must not exceed 35mm.

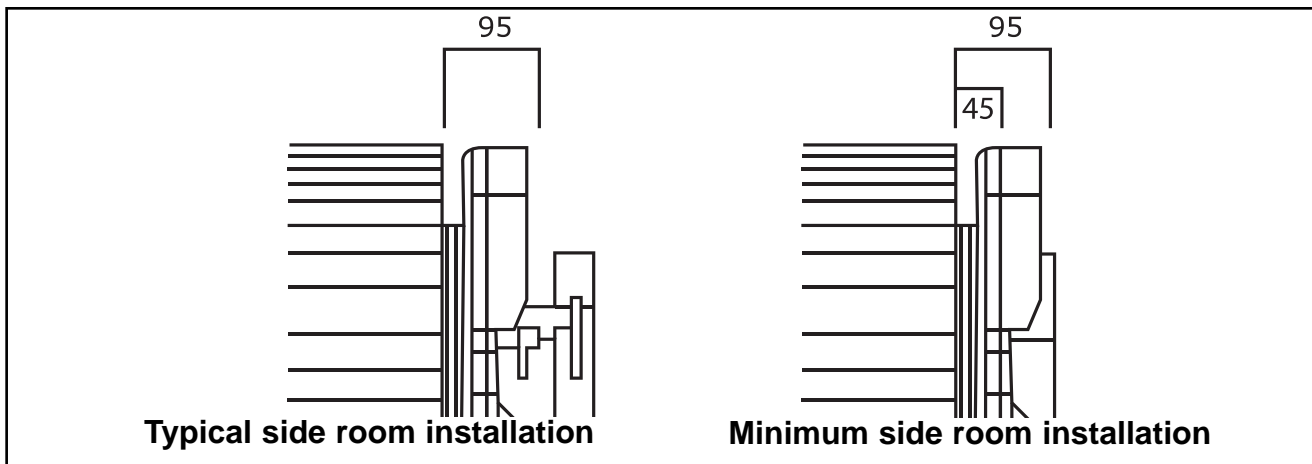
MR600a

Max door height 3.5m

Max curtain area 12.5m sq
with Protector 14.5m sq*

*The Protector System™ (Safety Beams) must be installed if the force at the edge of the closing door force exceeds 400N (40kgf).

Door shaft diameter must not exceed 35mm.



Ensure that there is at least 45mm from the edge of the curtain to the edge of the bracket. If the roller door drums are on the edge of the curtain or are of small diameter additional clearance may be required. **If the drums are more than 60mm from the curtain edge or of small diameter extension poles may be required.**

Different drum and bracket types may result in the minimum side room clearance not being possible and extension poles being required. Ensure there is a power point near the opener.

4 Preparing The Door

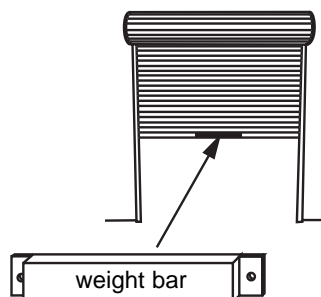
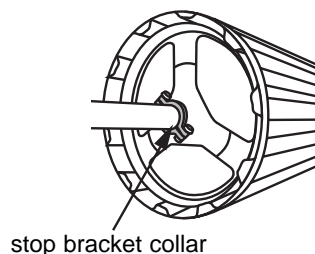
Disable all locks and remove any ropes connected to the garage door.

Complete the following test to ensure your door is well balance, and not sticking or binding:

- Lift the door to about halfway and then release it. The door should remain suspended entirely by its spring.
- Raise and lower the door to discover if there are any sticking or binding points.
- If your door spring does not hold the door in place or the door binds or sticks, call a qualified door technician before automating the door.
- Install stop bracket collar on the opposite end to where the opener is to be installed. Fit the stop bracket hard against the boss of the door drum. Ensure the U-bolt holding the door shaft to the door bracket is tightly secured.

Installing the weight bar

- Place the weight in the centre of the door. Use a Pencil to mark the two hole positions.
- Drill two 5.5mm through the two marked position, then place the weight bar inside.
- Use the 5mm bolts, washers and nuts to fasten the weight bar in place.

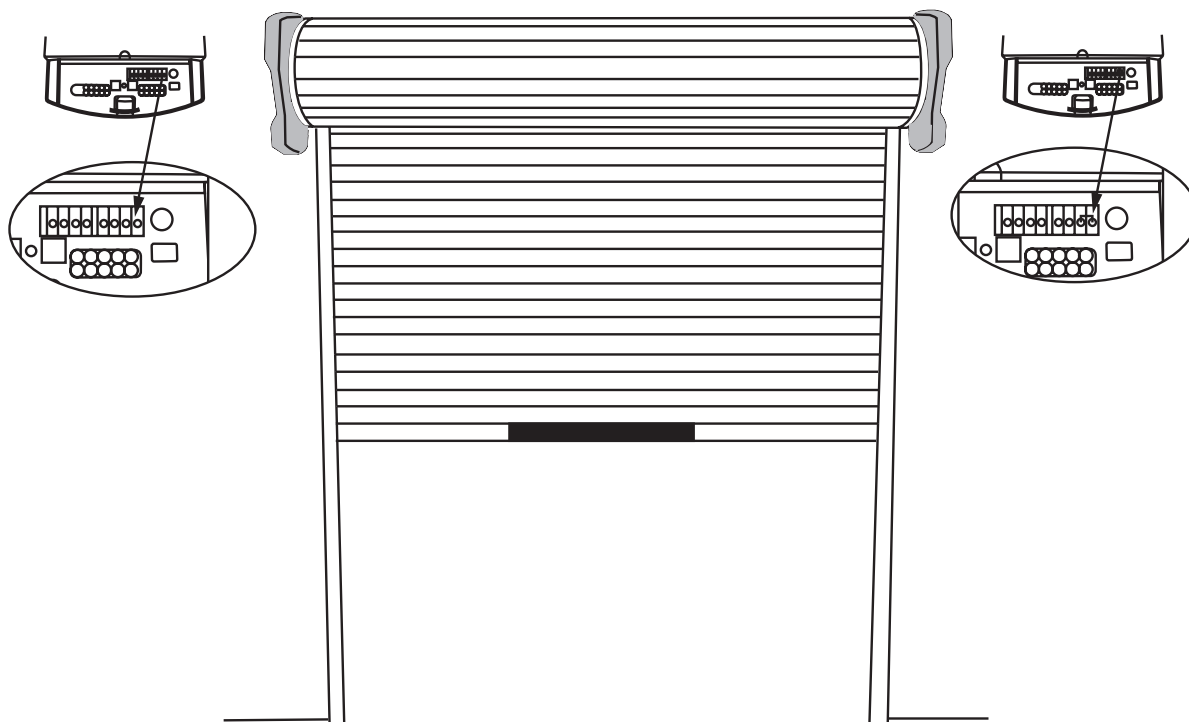


5 Preparing the Opener

Set Opener Position (Left or Right hand)

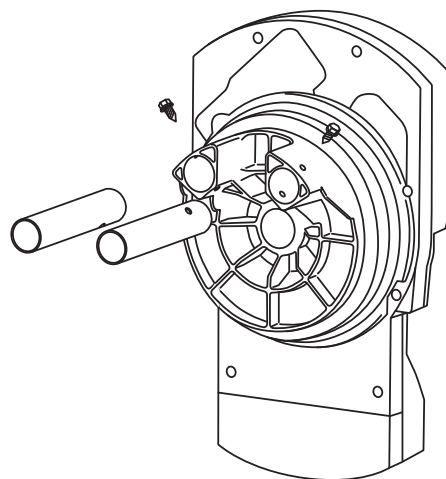
For **left hand side** installations the wire jumper **should be removed**.

For **right hand side** installations the wire jumper **should be in place** (factory installed).



Attaching the Extension Poles (if required)

- Insert the extension poles into the gear
- Align the extension pole holes with the gear holes
- Using the supplied screws secure the extension poles.



Place the Opener in Manual Release mode.

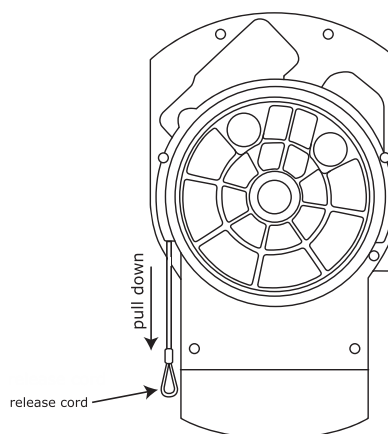
Disengage:

- Pull the release cord down once until you hear a clicking sound. The operator is now in manual mode and may be opened or closed.

Engage:

To re-engage the opener, pull the release cord down until you hear a clicking sound, the motor is now ready for operation.

NB: The drive forks may now be positioned into the drum as required.



6 Installation steps

FOR RIGHT HAND INSTALLATIONS (REFER SECTION 5, page 3)

- Ensure that the opener position jumper (wire connector) is installed (refer section 5, page 3).
- Place the opener in manual release mode (refer section 5, page 3).
- Open the roller door fully. For safety, tie a rope around the door.
- Ensure that the U-bolt on the left hand side of the door is secure.
- Mark the position of the door shaft on the right hand door bracket.
- Carefully remove the U-bolt on the right hand side, checking that the spring tension inside the roller door is not being released.
- You will need assistance for the following steps. Slide or lift the door shaft clear of the door bracket supporting the door weight with a ladder or similar device. Then slip the opener over the shaft.
- The forks should engage either side of the support spoke.
- Typical installation: Place the door shaft back onto the door bracket in the position that it was originally. Clamp the opener to the door shaft with the supplied bracket plate, 8mm bolts and nuts. Tighten sufficiently to fasten the opener firmly to the shaft i.e. 25Nm- 28Nm. Replace U-bolt and secure firmly.

Minimum side room installation: Place the opener and door shaft onto the door bracket in the position that the door shaft was originally. Clamp the opener to the door shaft through the door bracket with the supplied bracket plate, 8mm bolts and nuts. Tighten sufficiently to fasten the opener firmly to the shaft i.e. 25Nm-28Nm.

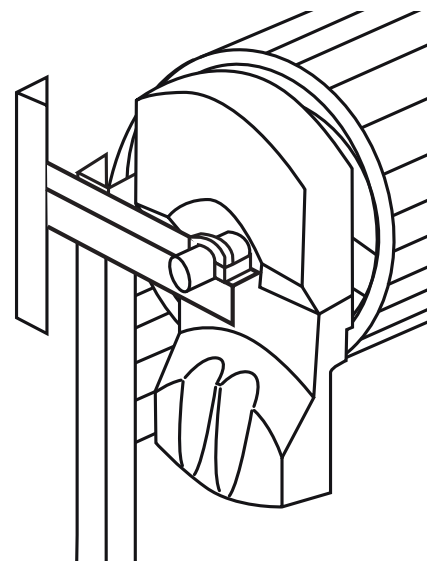
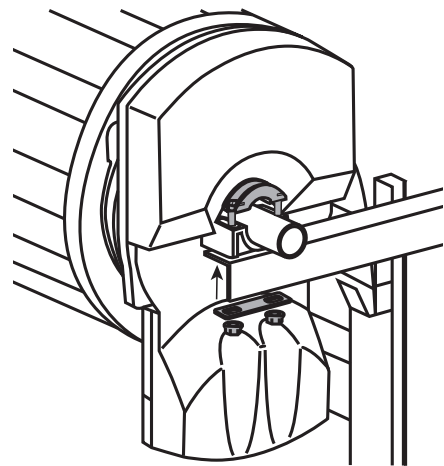
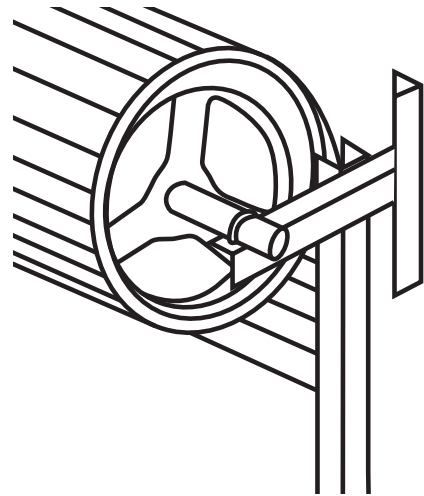
- Remove any ropes used.
- Plug opener into nearby power point and switch on power point, opener lights should now turn on.

FOR LEFT HAND INSTALLATIONS (REFER SECTION 5, page 3)

- Ensure that the opener position jumper (wire connector) is removed (refer section 5, page 3).
- Place the opener in manual release mode (refer section 5, page 3).
- Open the roller door fully. For safety, tie a rope around the door.
- Ensure that the U-bolt on the left hand side of the door is secure.
- Mark the position of the door shaft on the right hand door bracket.
- Carefully remove the U-bolt on the right hand side, checking that the spring tension inside the roller door is not being released.
- You will need assistance for the following steps. Slide or lift the door shaft clear of the door bracket supporting the door weight with a ladder or similar device. Then slip the opener over the shaft.
- The forks should engage either side of the support spoke.
- Typical installation: Place the door shaft back onto the door bracket in the position that it was originally. Clamp the opener to the door shaft with the supplied bracket plate, 8mm bolts and nuts. Tighten sufficiently to fasten the opener firmly to the shaft i.e. 25Nm- 28Nm. Replace U-bolt and secure firmly.

Minimum side room installation: Place the opener and door shaft onto the door bracket in the position that the door shaft was originally. Clamp the opener to the door shaft through the door bracket with the supplied bracket plate, 8mm bolts and nuts. Tighten sufficiently to fasten the opener firmly to the shaft i.e. 25Nm-28Nm.

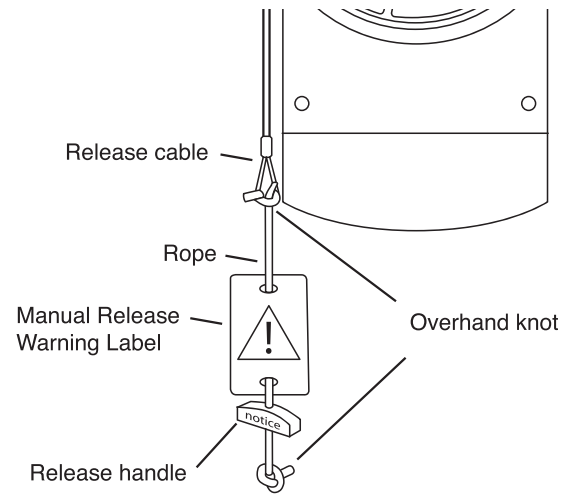
- Remove any ropes used.
- Plug opener into nearby power point and switch on power point, opener lights should now turn on.



7 Attach the Release Handle and Cord

- Thread one end of the rope through the hole in the top of the red handle so "NOTICE" reads right side up as shown. Secure with an overhand knot at least 25mm from the end of the rope to prevent slipping.
- Thread the other end of the rope through the loop of the manual release cable.
- Adjust rope length so the handle is no higher than 1.8m above the floor. Secure with an overhand knot. If the door is greater than 2.5m in height the Release Cord Extension kit accessory is required.

NOTE: If it is necessary to cut the rope, heat seal the cut end with a match or lighter to prevent unraveling.



8 Operating the Manual Release



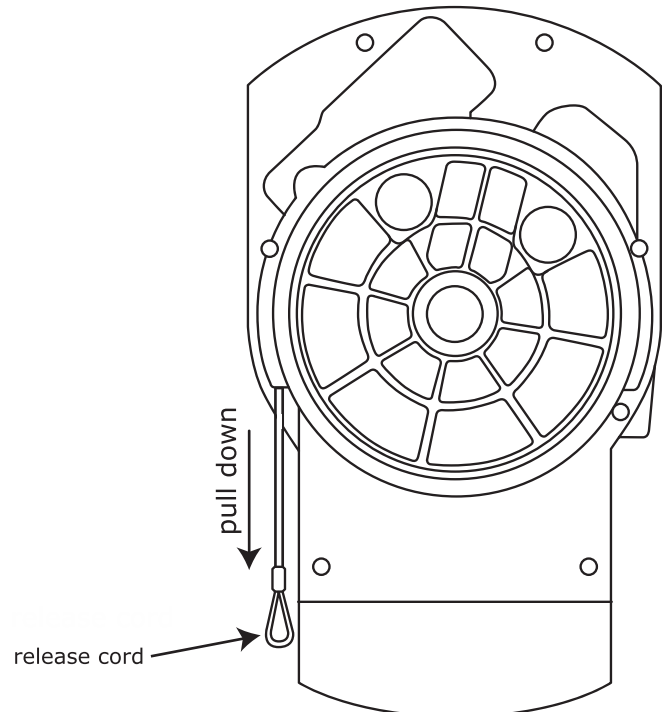
Take care when operating the manual release as an open door may fall rapidly due to weak or broken springs, or being out of balance.

Disengage:

- Pull the release cord down once until you hear a clicking sound. The door is now in manual mode and may be opened or closed.

Engage:

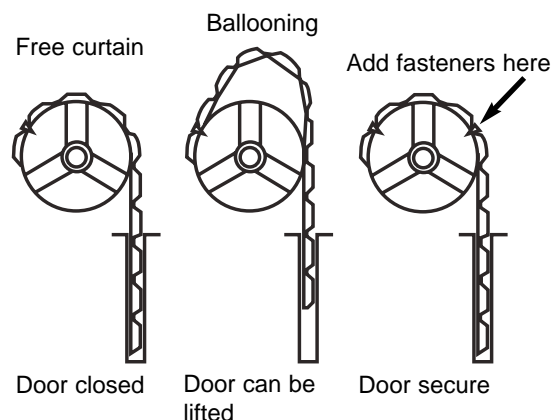
To re-engage the opener, pull the release cord down until you hear a clicking sound, the motor is now ready for operation.



9 Pinning the Door

Use bolts or pop-rivets (not supplied) to hold the curtain to the door drum.

- Disengage the operator (see point 8 above) and close the door manually. Re-engaged motor but pulling down on the release cord.
- Try to manually open the door with the opener engaged. Any excess door curtain may balloon out from the top of the drum.
- To remedy any ballooning place gutter-bolts or pop rivets (not supplied) 75mm up from where the curtain leaves the roll. Secure these through the curtain into the drum wheel at each end of the curtain.



10 Program your Opener & Remote

Please note your remote controls and wall plate (MR800a) have already been programmed into your operator.

Activate the opener only when door is in full view, free of obstruction and properly adjusted. No one should enter or leave garage whilst door is in motion. Do not allow children to operate push button(s) or remote(s). Do not allow children to play near the door.

Fix any wall control at a height of at least 1.5m and within sight of the door but away from any moving parts.

- Fix the warning against entrapment label near the wall control.

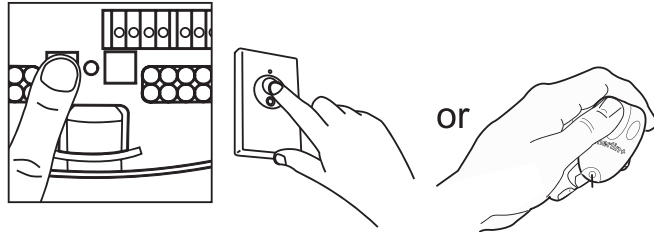
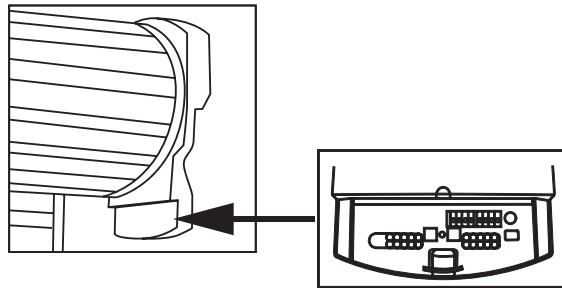
ADDING remotes using the PURPLE "LEARN" Button

- Press and release the PURPLE "LEARN" button on the opener. The orange indicator light will glow steadily for 30 seconds.
- Within 30 seconds, press and hold the desired button on the wireless wall control or remote control that you wish to operate your garage door.
- Release the button when the opener light blinks. It has learned the code.

DELETE all Remote Control Codes

Please note this deletes all remotes and codes

Press and hold the PURPLE LEARN button until the orange indicator light goes out (approximately 9 sec).



11 Setting the Limits

Up limits regulate the points at which the door will stop when moving up or down. Follow the steps below to set the limits.

- Check that the opener is engaged and midway between open and closed.

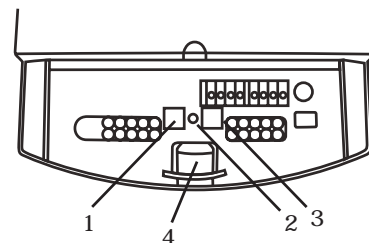
To program the travel limits:

- Press and hold the BLACK button (3) until the orange indicator light (2) starts flashing slowly and then release. Opener lights will dim. Press the BLACK button to move the door UP or the PURPLE down button to move the door DOWN until the door reaches the desired UP limit.

Check to be sure the door is high enough for your vehicle. Adjust if necessary.

- Press the GREEN start button (4). This sets the full UP limit. The door will travel to the floor and reverse back to the UP limit. The opener has learned its limits.
- The indicator light (2) will stop flashing when the limits have been learned.

NOTE: If the door presses excessively on the floor or reverses before it reaches the floor use the Manual Limit setting option:



Manual Limit setting

With the door in the midway position.

- Press and hold the BLACK button until the orange LED starts flashing.
- Use the BLACK (up) and PURPLE (down) button to set the door opening limit
- Press the Green activation button to start the door, once it starts travelling down, press either the BLACK or PURPLE button to engage manual limit setting.
- Use the PURPLE and BLACK buttons to set the closing limit.
- Test door three or four times to check limit settings.

The force must be learned in order to properly complete the setting of the limits.

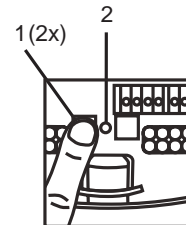
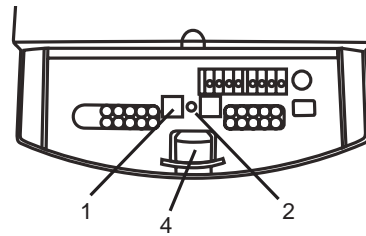
12 Setting the Force

The force, as measured on the closing edge of the door, should not exceed 400N (40kgf). If the closing force is measured to more than 400N, the Protector System must be installed. See section 14.

The force setting regulates the amount of power required

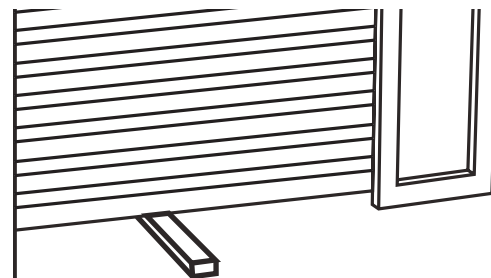
to open and close the door.

- Press the PURPLE button (1) twice to enter opener into Force Adjustment Mode. The indicator light (2) will flash quickly.
- Press the GREEN start button (4) on the bottom of the opener. The door will travel to the DOWN limit. Press the GREEN start button (4) again, the door will travel to the UP limit. Press the GREEN start button (4) again to complete the travel cycle. The indicator light (2) will stop flashing when the force has been learned.
- The door must travel through a complete cycle, UP and DOWN, in order for the force to be set properly. If the opener cannot open and close your door fully, inspect your door to insure that it is balanced properly and is not sticking or binding.



13 Testing the Safety Reverse System

The safety reverse system test is important. The garage door must reverse on contact with a 40mm obstacle laid flat on the floor. Failure to properly adjust the opener may result in serious personal injury from a closing garage door. Operate the door in the down direction. The door must reverse on the obstruction. If the door stops on the obstruction, remove obstruction and repeat limit and force setting, sections 11 & 12, pages 6 & 7. **Repeat test.**



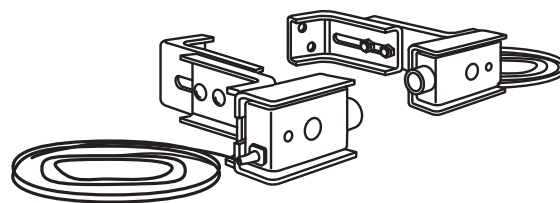
14 Install the Protector System™ (Safety Beams)

Install this accessory for all installations where the closing force as measured on the bottom of the door is over 400N (40kgf).

After opener has been installed and adjusted, **The Protector System™** accessory can be installed. Instructions are included with this accessory.

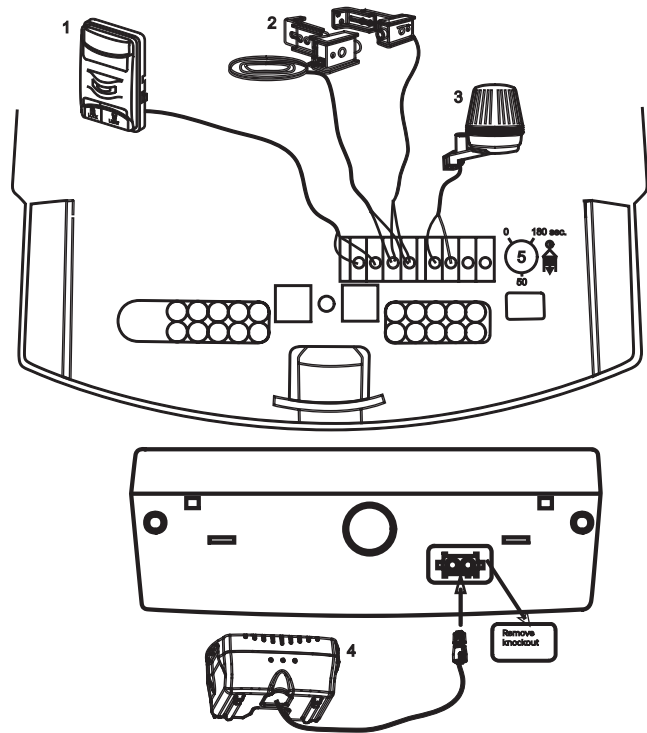
The Protector System™ provides an additional measure of safety against a small child being caught under a garage door. It uses an infra-red beam which, when broken by an obstruction, causes a closing door to open and prevents an open door from closing and is *strongly recommended for homeowners with young children.*

Note: The opener will automatically detect the protector system when it is installed and operating for 5 minutes (during this time the beams must remain unobstructed). The opener will not close unless the sensors are aligned.



15 Optional features

- Motion Detecting Control Panel
Connect white/red wire to the red quick connect terminal and the white wire to the white quick connect terminal.
 - The Protector System™ (Safety Beams)
Connect both white wires to the white quick connect terminal and both white/black wires to the grey quick connect terminal.
 - Flashing light connection.
Connect wires into the Flashing light input and then position the flashing light where required.
- Standby power: To access the Standby power unit connector, remove the knockout to the right of the start button.

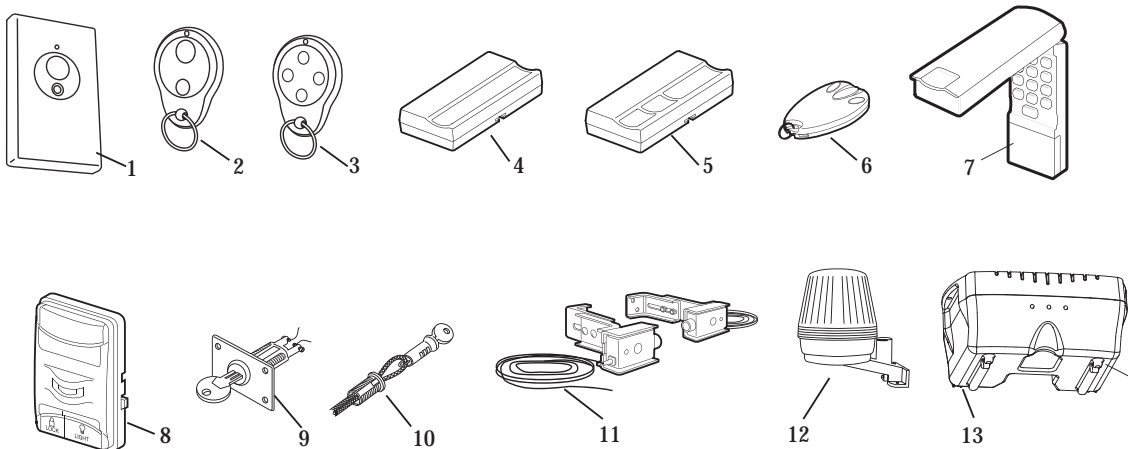


Auto Close:

Note: The Protector System (Safety Beams) must be installed before using this function. Timer trim pot must be set to zero when the *protector system is installed*. Timed auto close function is enabled by turning the dial to the required time, once the beams have learnt into the unit.

16 Accessories

1. Model CM128 2-Function Wireless Wall Control
2. Model CM842 2-Function Remote Control
3. Model CM844 4-Function Remote Control
4. Model C940 Single-Function Remote Control
5. Model C943 3-Function Remote Control
6. Model C945 3-Function Mini Remote Control
7. Model C840 Keyless Entry System
8. Model C98 Motion Detecting Control Panel
9. Model 760 Outside Keylock
10. Model CM1702 Outside Quick Release
11. Model C77 The Protector System™
12. Model FLA230 Flashing Light Kit
13. Model 475 Standby power unit



CARE OF YOUR OPENER

When properly installed, your opener will provide high performance with a minimum of maintenance. The opener does not require additional lubrication. Limit and Force Settings: These settings must be checked and properly set when the opener is installed. Weather conditions may cause some minor changes in the door operation, requiring some re-adjustments, particularly during the first year of operation. Refer to limit and force setting in, sections 11 & 12, pages 6 & 7. Follow the instructions carefully and repeat the safety reverse test after any adjustment.

Remote Control: Additional remotes can be purchased at any time. Refer to Accessories. Any new remotes must be programmed into the opener. Remote Control Battery: The lithium batteries should produce power for up to 5 years. If transmission range decreases, replace the battery .

Troubleshooting

1. The opener doesn't operate from either the GREEN start button or the remote controls:

- Does the opener have electric power? Plug a lamp into the outlet. If it doesn't light, check the fuse box.
- Have you disabled all door locks? Review installation instruction warnings on page 1.
- Is there a build-up of ice or snow under the door? The door may be frozen to the ground. Remove any restriction.
- The garage door spring may be broken. Have it replaced.

2. Opener operates from the remote control, but not from the wired wall control (optional accessory):

- Is the wall control lit? If not, reverse the two wires. If the opener runs, check for a faulty wire connection at the wall control, a short under the staples, or a broken wire.
- Are the wiring connections correct? Refer to wired wall control instructions.

3. The door operates from the GREEN start button or wired wall control, but not from the wireless wall control or remote control:

- If the wired wall control is installed and it is flashing, ensure the Lock feature is off.
- Program the opener to match the remote control code. (Refer to section 10, page 6.) Repeat with all remotes.

4. The remote control has short range:

- Change the location of the remote control in your car.
- Check to be sure the antenna on the bottom of the opener extends fully downward.
- Some installations may have shorter range due to a metal door, foil backed insulation, or metal garage siding.

5. The garage door opens and closes by itself:

- Be sure that all remote control push buttons are off.
- If the wired wall control (optional accessory) is installed, remove the bell wire from the wired wall control terminals and

operate from the GREEN start button or remote control. If this solves the problem, the wired wall control is faulty (replace),

or there is an intermittent short on the wire between the wired wall control and the opener.

- Clear memory and re-program all wireless wall controls and remote controls.

6. The door reverses and stops before opening completely:

- Is something obstructing the door? Is it out of balance, or are the springs broken? Remove the obstruction or repair the door.

7. The door reverses for no apparent reason and opener lights blink for 5 seconds after reversing:

- Check the Protector System (safety beams), if installed. Correct alignment if the red light on the beam is solid.

8. The door opens but won't close or reverses while closing:

- Is something obstructing the door? Pull the manual release handle. Operate the door manually. If it is unbalanced or binding, call a trained door systems technician.
- Clear any ice or snow from the garage floor area where the door closes.

- Repeat the limit and force setting in section 11 & 12, pages 6 & 7. Repeat safety reverse test after adjustments.

9. The opener strains to operate door:

- The door may be out of balance or the springs may be broken. Close the door and use the manual release to disconnect the door. Open and close the door manually. A properly balanced door will stay in any point of travel while being supported entirely by its springs. If it does not, disconnect the opener and call a trained door systems technician.

10. The opener motor hums briefly, then won't work:

- Check that the door is not in manual release mode, refer section 8, page 5.
- The garage door springs may be broken. See above.
- If the problem occurs on the first operation of the opener, door may be locked. Disable any door locks.

11. The opener won't operate due to power failure:

- Use the manual release handle to disconnect the door. The door can be opened and closed manually. When power is restored, re-engage the opener, refer section 8, page 5.
- If a Standby power unit is connected, the opener should be able to operate up to 20 times without power.

12. Setting the limits manually:

- a. Check that the opener position jumper is correct, refer section 5, page 3.

- b. Press and hold the BLACK button until the orange indicator light starts flashing slowly then release.

- c. Press the BLACK button to move the door UP or the PURPLE button to move the door DOWN until the door reaches the desired UP limit. Ensuring there is enough clearance for your vehicle.

- d. Press the GREEN start button. This sets the UP limit and begins closing the door. Immediately press either the PURPLE or the BLACK button. The door will stop. Adjust the desired DOWN limit using the BLACK and the PURPLE buttons. Check to be sure the door is fully closed without applying excessive pressure to the door curtain. Press the GREEN start button. This sets the DOWN limit and begins opening the door. NOTE: If neither the BLACK or the PURPLE button is pressed, the door will reverse off the floor and the DOWN travel limit will be set automatically.

- e. Open and close the door with the GREEN start button, remote control or wall control 2 or 3 times.

- If the door does not stop in the desired UP limit or reverses before the door stops at the DOWN limit. Proceed to Setting the Force, section 12, page 7. If the door still does not stop at the desired limits is something obstructing the door? Disengage the opener. Open and close the door manually. If it is unbalanced or binding, call a trained door systems technician.

- If the door stops at both the desired UP and DOWN limits, proceed to Setting the Force.

13. Auto close does not work:

- Check alignment of beams (LED indicators should be solid). If setting up see section 15 page 8. To re-set auto detect of the safety beams, turn the power off, (remove standby power unit if installed) and set timer trim pot to zero before re-setting power.

MAINTENANCE OF YOUR OPENER

Once a Month:

- Repeat safety reverse test.
Make any necessary adjustments (see page 7)
- Manually operate door. If it is unbalanced or binding, call for professional garage door service.
- Check to be sure door opens and closes fully.
Set Limits and/or Force if necessary.

OPERATION OF YOUR OPENER

Your opener can be activated by any of the following devices:

• The GREEN start button

Hold the button down until door starts to move.

- **The Wall Control, Outside Keylock or Keyless Entry System** (if you have installed any of these accessories).

• The Remote Control Transmitter or Wireless Wall Control (8)

Hold the push button down until the door starts to move.

When the Opener is activated by Remote Control, Green Start Button or Wall Control:

- If open, the door will close. If closed, the door will open.
- If closing, the door will stop.
- If opening, the door will stop (allowing space for entry and exit of pets and for fresh air).
- If the door has been stopped in a partially open or closed position, it will reverse direction.
- If an obstruction is encountered while closing, the door will reverse.
- If an obstruction is encountered while opening, the door will reverse and stop.
- The optional Protector System™ uses an invisible beam which, when broken by an obstruction, causes a closing door to open and prevents an open door from closing. It is **STRONGLY RECOMMENDED** for home-owners with young children.

Allow a 15 minute cooling period after 4 minutes of continuous operation of the opener.

Opening the Door Manually:

Door should be fully closed if possible. Weak or broken springs could allow an open door to fall rapidly. Property damage or serious personal injury could result.

The door can be opened manually by pulling the release cord down see point 8 page 5.

The Opener Light Will Turn On:

- when opener is initially plugged in;
- when the power is briefly interrupted;
- when the opener is activated.
- The light turns off automatically after 2-1/2 minutes.

Specifications MR800a

Input Voltage:	230-240~, 50Hz, 105W
Rated Load:	22Nm
Max.Pull Force:	550N
Max. Door Weight	100kg
Standby power:	3 watts (nominal)
DC gearmotor	permanent lubrication
Max. Drum Rotations:	5
Memory Registers:	64
Operating Frequency:	433.92MHz

Specifications MR600a

Input Voltage:	230-240~, 50Hz, 90W
Rated Load:	20Nm
Max.Pull Force:	500N
Max. Door Weight	80kg
Standby power:	3 watt (nominal)
Drive:	DC gearmotor permanent lubrication
Max. Drum Rotations:	5
Memory Registers:	64
Operating Frequency:	433.92MHz

SPECIAL NOTE: Chamberlain strongly recommends that the protector system be installed on all garage door openers.

**CHAMBERLAIN 2 YEAR LIMITED WARRANTY
Merlin MR800A / MR600A
Roller Door Operator**

Chamberlain Australia Pty Limited / Chamberlain New Zealand Limited (Seller) warrants to the original purchaser of the Merlin MR800A / MR600A Roller Door Operator (Unit) that it is free from defects in material and/or workmanship for a period of 2 YEARS from the date of first purchase from the Seller. The MR800a has an extended warranty on the MOTOR ONLY, covering the unit's motor for domestic use for a period of 5 years from date of purchase.

Please retain your proof-of-purchase in the unlikely event you require warranty service.

If, during the limited warranty period, the Unit fails due to defects in materials or workmanship Chamberlain will, provided the defective part or Unit is returned freight and insurance prepaid and well packaged to the nearest Chamberlain office or authorised installer, undertake to repair or, at its option, replace any defective part or Unit and return it to the Buyer at no cost. Repairs and replacement parts are warranted for the remaining portion of the original warranty period.

Limited warranty on motor

Chamberlain will furnish a replacement motor free of charge, if it is found to be defective. Labour costs may apply.

Where the Unit has been installed by an authorised installer, Chamberlain will furnish replacement parts free of charge through the authorised installer. A service fee for on-site service may apply.

In-warranty service

During the warranty period, if the product appears as though it may be defective, call our toll free service before removal of the unit. A Chamberlain technician will diagnose the problem and promptly supply you with the parts for "do-it-yourself" repairs, or provide you with shipping instructions for a factory repair or replacement. If an authorised installer installed your unit you must call them for prompt on-site service.

If our service centre determines that a warranty claim has been made in respect of a failure or defect arising under out of any exclusion set out below, we may charge you a fee to repair and/or return the Unit to you.

Exclusions

This warranty does not cover any failure of the Unit due to:

1. non-compliance with the instructions regarding installation, operation, maintenance and testing of the Unit or of any product with which the Unit is used.
2. any attempt to repair, dismantle, reinstall or move the Product to another location once the Product is installed by any person other than an authorised installer.
3. tampering, neglect, abuse, wear and tear, accident, electrical storm, excessive use or conditions other than normal domestic use.

This warranty does not cover any problems with, or relating to, the garage door or garage door hardware, including but not limited to the door springs, door rollers, door alignment or hinges, any problems caused by electrical faults, replacement of batteries or light bulbs or labour charges for reinstalling a repaired or replaced Units.

Liability – Australia only

Under no circumstances shall the Seller be liable for consequential, incidental or special damages arising in connection with the use, or inability to use, the Unit. In no event shall the Seller's liability for damages or injury arising from breach of law or contract or for negligence, exceed the cost of repairing or replacing the Unit or refunding the purchase price of the Unit.

Under Division 2 Part V of the Trade Practices Act, 1974, certain warranties and conditions (Implied Terms) are implied into contracts for the supply of goods or services if the goods or services are of a kind ordinarily acquired for personal, domestic or household use or consumption. Liability for breach of those Implied Terms cannot be excluded or limited and the limitations and exclusions above do not apply to the Implied Terms.

Except for the Implied Terms and the warranties set out above, the Seller excludes all warranties and conditions implied by statute, at law, in fact or otherwise.

Liability – New Zealand only

Except as set out in the Fair Trading Act 1986 and the Consumer Guarantees Act 1993:

(a) all other guarantees, warranties and representations in relation to the Unit or its supply are excluded to the extent that the Seller can lawfully exclude them; and

(b) under no circumstances shall the Seller be liable for consequential, incidental or special damages arising in connection with the use, or inability to use, the Unit, other than those which were reasonably foreseeable as liable to result from the failure.

NOTE: We request that you attach your sales docket or invoice to this manual to enable you to establish the date of purchase in the unlikely event of a service call being made.

Chamberlain reserves the right to change the design and specification without prior notification. Some features or accessories may not be available in certain markets or areas. Please check with your distributor.

Chamberlain service centres:

Australia

Phone toll free 1800 638 234

Fax toll free 1800 888 121

New Zealand

Auckland phone 09 415 4393

Phone toll free 0800 MERLIN

Fax toll free 0800 653 663

www.chamberlainanz.com