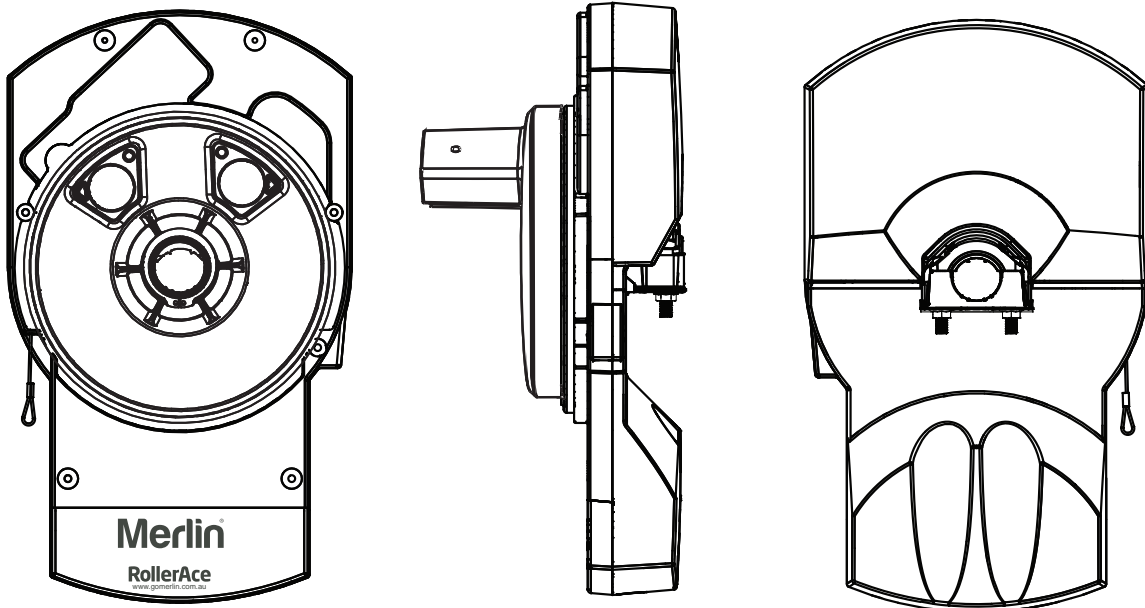


Merlin[®]

gomerlin.com.au
gomerlin.co.nz



RollerAce[™]

MR60

Rolling Garage Door Opener

Installation and Operating Instructions

Owners Copy: Please keep these instructions for future reference



This manual contains **IMPORTANT SAFETY** information.
DO NOT PROCEED WITH THE INSTALLATION BEFORE READING THOROUGHLY.



N2966

START BY READING THESE IMPORTANT SAFETY INSTRUCTIONS

WARNING

- Failure to comply with the following instructions may result in serious personal injury or property damage.
- Read and follow all instructions carefully.
- The garage door opener is designed and tested to offer safe service provided it is installed and operated in strict accordance with the instructions in this manual.



These safety alert symbols mean **WARNING** : A possible risk to personal safety or property damage exists.



Keep garage door balanced. Do not let the garage door opener compensate for a binding or sticking garage door. Sticking, binding or unbalanced doors must be repaired before installing this opener.



Do not wear rings, watches or loose clothing while installing or servicing a garage door opener. Wear gloves, safety goggles and suitable protective clothing where appropriate.



Frequently examine the door installation, in particular cable, springs and mountings for signs of wear, damage or imbalance. Do not use if repair or adjustment is needed since springs and hardware are under extreme tension and a fault can cause serious personal injury.



To avoid serious personal injury from entanglement, **remove all ropes, chains and locks connected to the garage door** before installing the door opener.



Installation and wiring must be in compliance with your local building and electrical codes.



The safety reverse system test is very important. Your garage door **MUST** reverse on contact with a 40mm obstacle placed on the floor. Failure to properly adjust the opener may result in serious personal injury from a closing garage door. **Repeat the test once a month and make any necessary adjustments.**



This opener should not be installed in a damp or wet space exposed to weather.



This appliance is not intended for use by persons (including children) with reduced physical, sensory or mental capabilities or lack of experience and knowledge, unless they have been given supervision or instruction concerning use of the appliance by a person responsible for their safety.



The opener must not be used on a wicket door (door within a door).



The Protector System™ must be used for all installations where the closing force as measured on the bottom of the door is over 400N (40kgf). Excessive force will interfere with the proper operation of the safety reverse system or damage the garage door.



After installation, ensure that the parts of the door do not extend over public footpaths or roads.



Install the wireless wall control (or any additional wall control) **in a location where the garage door is visible, at a height of at least 1.5m and out of the reach of children. Do not allow children to operate push button(s) or transmitter(s).** Serious personal injury from a closing garage door may result from misuse of the opener.



Permanently fasten the Warning Labels in prominent places, adjacent to wall controls and manual release mechanisms as a reminder of safe operating procedures.



Activate opener only when the door is in full view, free of obstructions and the opener is properly adjusted. No one should enter or leave the garage while the door is in motion.



Do not allow children to play near the door, or with door controls.



Disconnect electric power to the garage door opener before making repairs or removing covers.

KEEP THESE INSTRUCTIONS

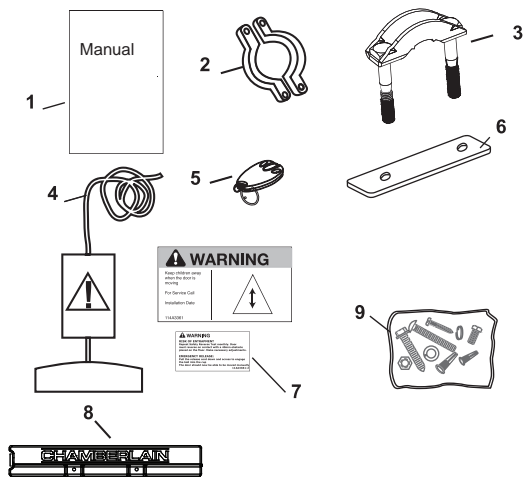
NOTE: If your garage has no service entrance door, a CM1702 outside quick release must be installed. This accessory allows manual operation of the garage door from outside in case of power failure.

CONTENTS	PAGE
SAFETY INSTRUCTIONS	1
CARTON INVENTORY	2
TOOLS REQUIRED	2
DOOR REQUIREMENTS	2
PREPARE & TEST THE DOOR . .	3-4
INSTALLATION	5-6
CONNECT ELECTRIC POWER . .	7
ADJUSTMENT	7-8
INSTALL THE PROTECTOR SYSTEM	9

WIRELESS PROGRAMMING .	10-11
SPECIAL FEATURES	12
ACCESSORIES	12
TROUBLESHOOTING	13
OPERATION OF YOUR OPENER	14
CARE OF YOUR OPENER	14
MAINTENANCE OF YOUR OPENER	14
SPECIFICATION	14
WARRANTY	15

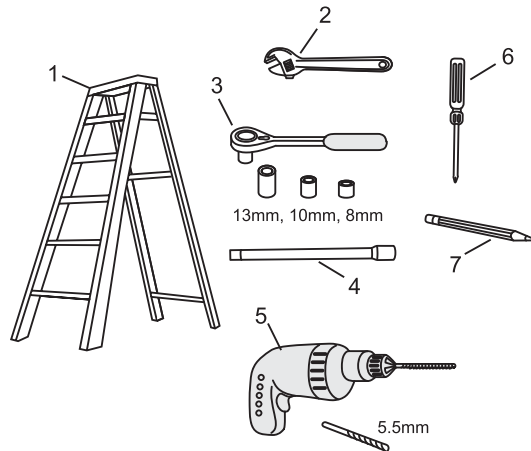
1 CARTON INVENTORY

1. Instruction manual (this document)
2. Stop collar
3. Clamp bracket
4. Release handle and cord
5. Transmitters (2)
6. Bracket plate
7. Warning labels (2)
8. Weight bar
9. Hardware bag



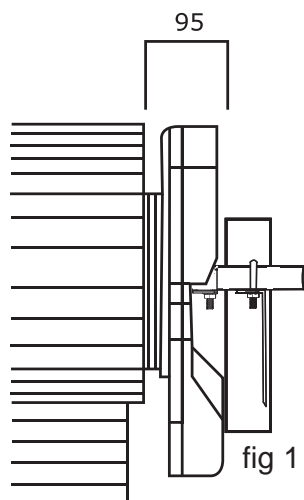
2 TOOLS REQUIRED

1. Ladder
2. Adjustable wrench for U-bolts already installed on the door
3. 8mm socket, 10mm socket and 13mm extended socket and socket wrench
4. 300mm socket extension (for minimum sideroom installations)
5. Drill and 5.5mm drill bit
6. Phillips-head screwdriver
7. Marker pen
8. Door stand or similar device to safely support door (not shown).

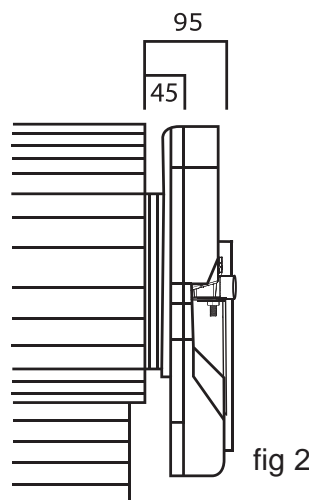


3 DOOR REQUIREMENTS

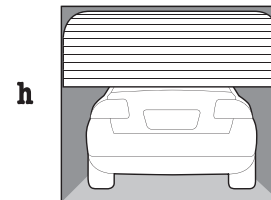
The maximum allowable door height is 3.5m with a maximum curtain area of 13m² (door height in metres multiplied by the width in metres). The door must be spring balanced. The Protector System™ (IR Beams) must be installed if the force at the edge of the closing door exceeds 400N (40kgf). Door axle diameter must not exceed 35mm.



Independent clamping method



Direct clamping method



Door area w
 $h \times w = \text{m}^2$
 eg. 2.5m x 3m = 7.5m²

Ensure that there is at least 45mm from the edge of the curtain to the edge of the bracket. If the roller door drum is on the edge of the curtain or is a smaller diameter, additional clearance may be required.

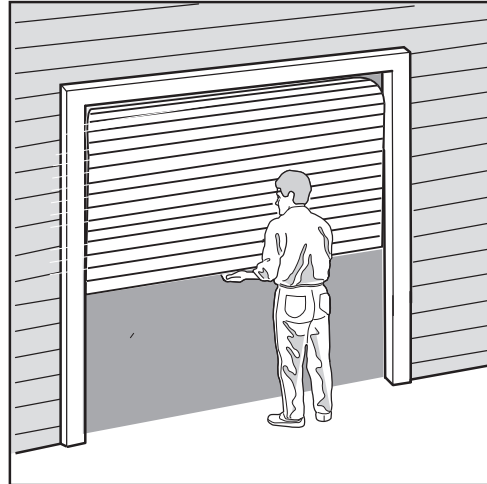
If the drum is more than 60mm from the curtain edge or of a smaller diameter, an extension pole kit may be required.

Different drum and bracket types may result in the minimum side room clearance not being possible and extension poles being required. Ensure there is a power point near the opener.

4 TESTING THE DOOR

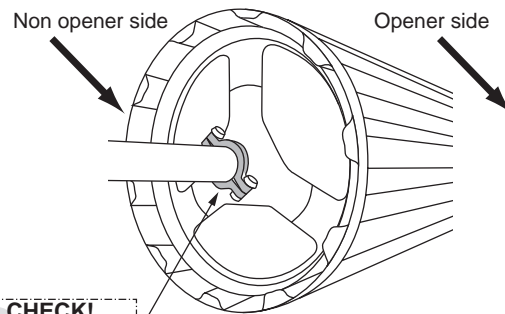
Complete the following test to ensure your door is well balanced, and not sticking or binding:

- Disable all locks and remove any ropes connected to the garage door.
- Lift the door to about halfway and then release it. The door should remain suspended entirely by its spring.
- Raise and lower the door to determine if there are any sticking or binding points (20 Kgf is the absolute maximum allowable to raise or lower the door in any position).
- If your door does not hold in place or it binds or sticks, call a qualified door technician before installing the opener.



5 INSTALLING THE STOP COLLAR

- Install stop bracket collar on the opposite end to where the opener is to be installed.
- Fit the stop bracket hard against the boss of the door drum. Ensure the U-bolt holding the door axle to the door bracket is tightly secured.



SAFETY CHECK!
Is stop collar installed?

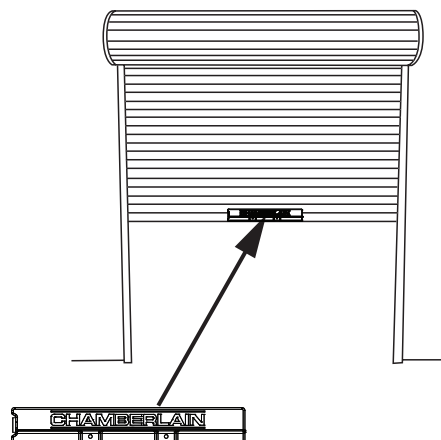
YES: proceed to the next step

NO: install the stop collar before proceeding

6 INSTALLING THE WEIGHT BAR (PROVIDED)

- Place the weight bar in the centre of the door.
- If the door curtain does not have a lifting handle you will need to drill two 5.5mm holes through the two marked positions, then place the weight bar on the inside of the door.
- Use the 5mm bolts, washers and nuts (provided) to fasten the weight bar in place.

NOTE: If the door has a lifting handle, remove the handle, nuts & bolts. Place weight bar over the handle holes, insert extended bolts through the weight bar & fasten handle back in place.

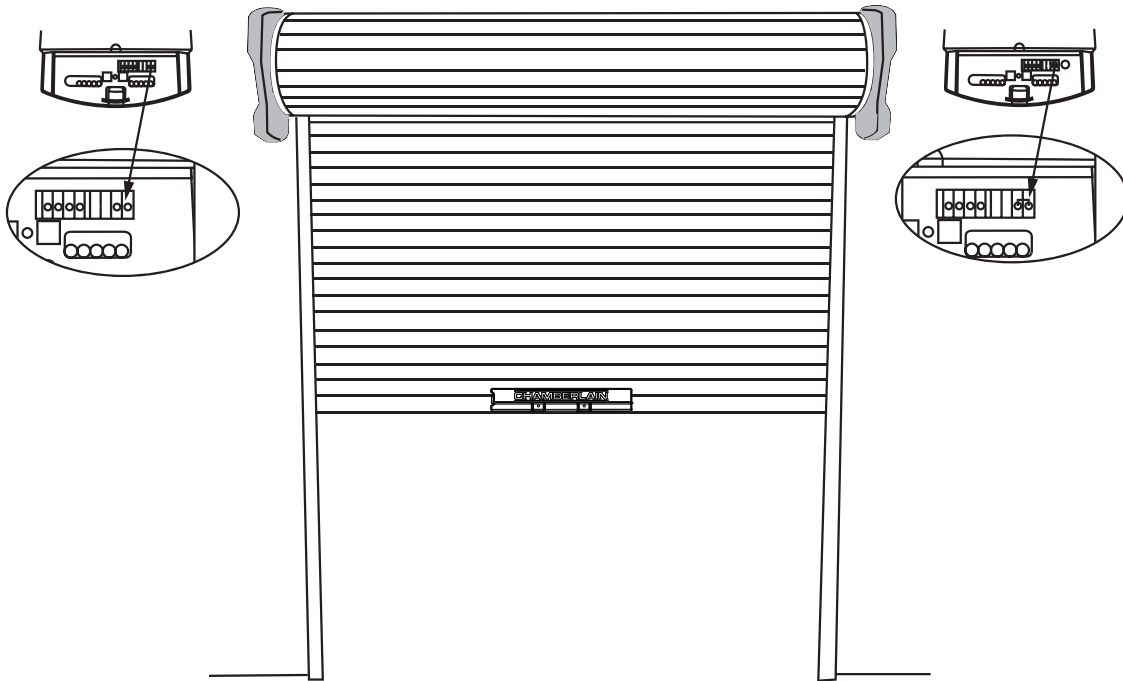


7 PREPARING THE OPENER

Set opener position (left or right hand)

For **left hand side** installations the wire jumper **should be removed**.

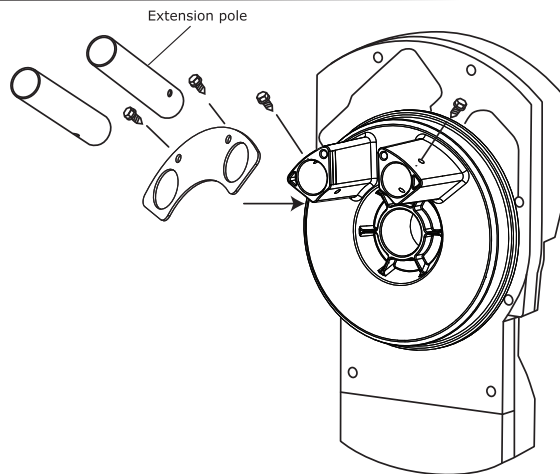
For **right hand side** installations the wire jumper **should be in place** (factory installed).



Attaching the extension poles (if required)

Optional accessory not provided

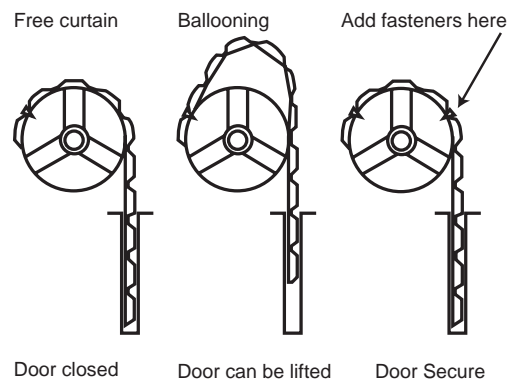
- Align the extension pole holes with the drive legs.
- Insert the extension poles into the drive leg and fix in place using screws provided.
- Slide the reinforcing brace over the poles and fix in place using the screws provided.



8 PINNING THE DOOR

Note: A ballooning door may delay the safety reversal response and can compromise garage door security.

- To remedy any ballooning place self tapping metal screws or rivets where the curtain leaves the roll. Secure these through the curtain into the drum wheel at each end of the roll.
- After determining the correct fastener location as shown, lift the door approximately half a turn from the closed position to allow access for drilling.



9 INSTALLATION STEPS

FOR RIGHT HAND INSTALLATIONS

- Ensure that the opener position jumper (**wire connector**) is **installed** (refer Section 7).
- Place the opener in manual release mode (refer Section 11).
- Open the roller door fully. For safety, tie a rope around the door.
- Mark the position of the door axle on the right hand door bracket.

! *Ensure that the U-bolt on the left hand (non opener) side of the door is secure.*

- Carefully remove the U-bolt on the right hand side, checking that the spring tension inside the roller door is not being released.
- **You will need assistance for the following steps.** To safely support the door slide or lift the door axle clear of the door bracket, supporting the door weight with a door stand or similar device. Then slip the door opener over the door axle (as shown).

NOTE: The forks should engage either side of the support spoke.

- **Direct clamping method (refer attached fig 1):** Place the opener and door axle onto the door bracket in the position that the door axle was originally. Clamp the opener to the door axle through the door bracket with the bracket plate, 8mm bolts and nuts (supplied). Tighten sufficiently to fasten the opener firmly to the axle i.e. 25Nm-28Nm.
- Remove any ropes used.
- **Independent clamping method:** If the side room exceeds 95mm, clamp independently to the door axle as illustrated in section 3 (fig 1) using 2 separate clamps.

FOR LEFT HAND INSTALLATIONS

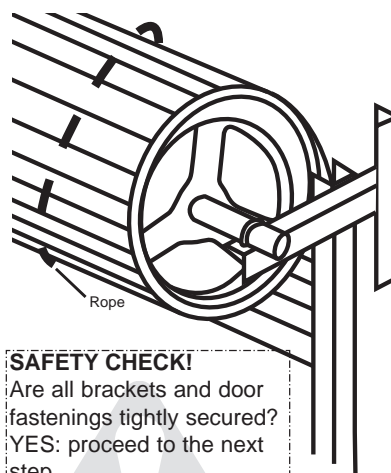
- Ensure that the opener position jumper (**wire connector**) is **removed** (refer Section 7).
- Place the opener in manual release mode (refer Section 11).
- Open the roller door fully. For safety, tie a rope around the door.

! *Ensure that the U-bolt on the right hand side (non opener) of the door is secure.*

- Mark the position of the door axle on the left hand door bracket.
- Carefully remove the U-bolt on the left hand side, checking that the spring tension inside the roller door is not being released.
- **You will need assistance for the following steps.** To safely support the door slide or lift the door axle clear of the door bracket supporting the door weight with a door stand or similar device. Then slip the opener over the door axle (as shown).

NOTE: The forks should engage either side of the support spoke.

- **Direct clamping method (refer attached fig 2):** Place the opener and door axle onto the door bracket in the position that the door axle was originally. Clamp the opener to the door axle through the door bracket with the bracket plate, 8mm bolts and nuts (supplied). Tighten sufficiently to fasten the opener firmly to the axle i.e. 25Nm-28Nm.
- Remove any ropes used.
- **Independent clamping method:** If the side room exceeds 95mm, clamp independently to the door axle as illustrated in section 3 (fig 2) using 2 separate clamps.



SAFETY CHECK!
Are all brackets and door fastenings tightly secured?
YES: proceed to the next step

NO: tighten any loose fastenings before proceeding

fig 1

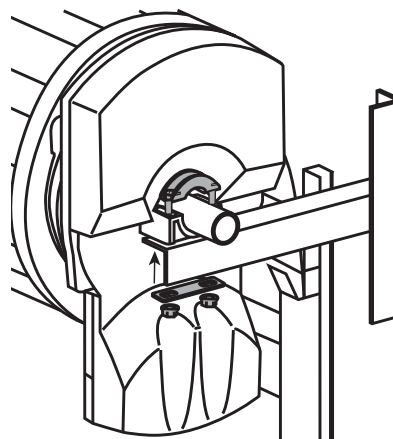
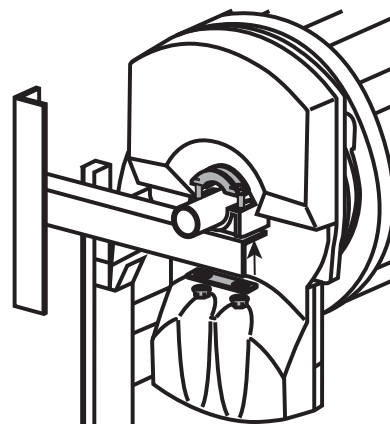


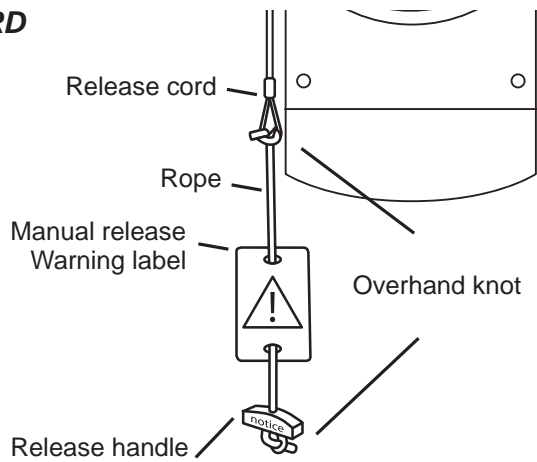
fig 2



10 ATTACH THE RELEASE HANDLE AND CORD

- Thread one end of the rope through the hole in the top of the red handle so "NOTICE" reads right side up as shown. Secure with an overhand knot at least 25mm from the end of the rope to prevent slipping.
- Thread the other end of the rope through the loop of the manual release cable.
- Adjust the rope length so the handle is no higher than 1.8m above the floor. Secure with an overhand knot. If the door is greater than 2.5m in height the release cord extension kit accessory is required.

NOTE: Final adjustment of the handle height should be completed after the opener is installed. If it is necessary to cut the rope, heat seal the cut end to prevent unravelling.



11 OPERATING THE MANUAL RELEASE

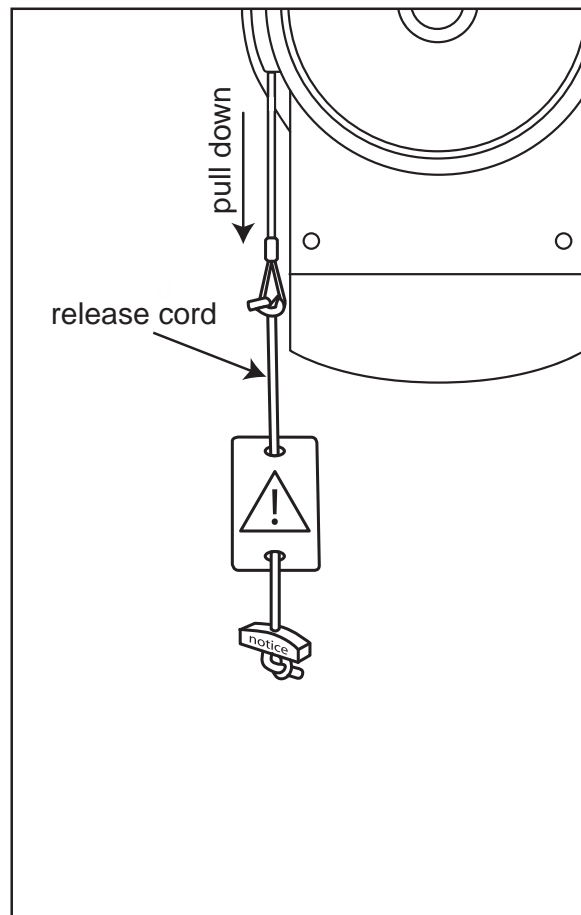
⚠ *Disable all locks and remove any ropes connected to the garage door. Take care when operating the manual release as an open door may fall rapidly due to weak or broken springs, or being out of balance.*

To disengage the opener

Pull the release cord down once until you hear a clicking sound. The door is now in manual mode and may be opened or closed.

To re-engage the opener

Pull the release cord down until you hear a clicking sound, the motor is now ready for operation.



12 SETTING THE LIMITS

The travel limits regulate the points at which the door will stop when moving UP or DOWN. During the set up procedure, the motor will run and operate the door. The opener must be fully installed on the door and all installation steps completed before proceeding.

! The opener will operate during this procedure. Make sure the door is clear of obstruction. Ensure your hands are away from any moving parts before activating the door.

Position the door about half way and engage the opener (section 11).

Remove the lens cover from the opener (fig 1).

Connect the opener to a 240VAC power point and turn on.

Setting the top limit:

- Press and hold the **black** limit button until the orange indicator LED starts flashing slowly, and then release (courtesy LEDs will go to low illumination).
- Press and hold the **black** limit button, until the door reaches the desired open position. If set too high, adjust down using the **purple** learn button (make sure there is enough room for your vehicle to pass under).

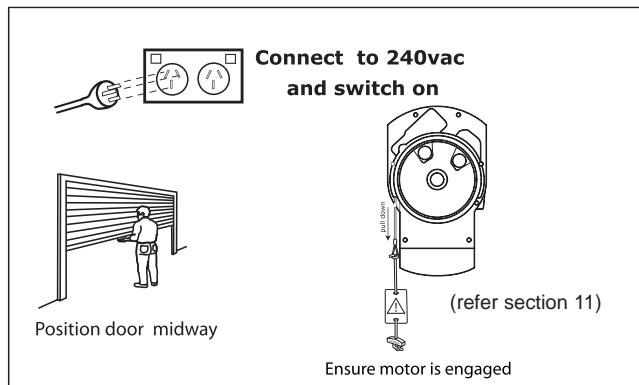
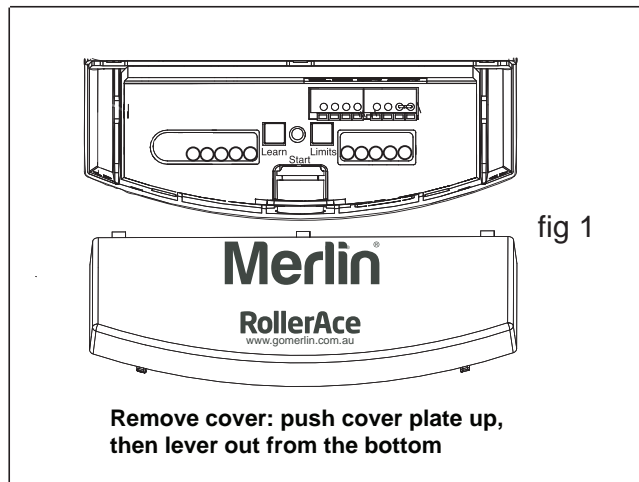
Setting the bottom limit:

- Press and release the **green** start button, this sets the UP limit and begins **closing** the door, once the opener starts to move down, **IMMEDIATELY** press and hold the **purple** learn button until the door reaches the desired closed position, then release button. For fine adjustment press and release the **purple** learn button to inch down.

Save and test:

- Press and release the **green** start button, this sets the DOWN position and begins **opening** the door to the fully open position.
- Close and open the door 3 or 4 times using the **green** start button to confirm the limit settings. Courtesy LEDs should now be fully illuminated. Repeat the above procedure if necessary.

NOTE: The force must now be set in order to complete your installation (refer section 13).



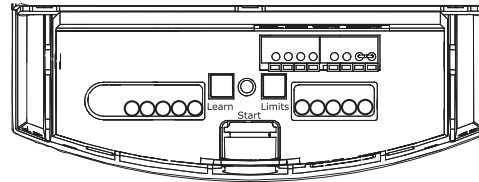
	Limits (Black)	SET TOP LIMIT Press and hold black button
		Flashing orange LED courtesy LED dim
	Limits (Black)	Use the black button to adjust up (use purple down to adjust if required)
	Green Start	SET BOTTOM LIMIT Press start button located on the bottom of motor, then immediately press the purple button
	Learn (Purple)	Press and hold the purple button until door is closed Use the black button to adjust up if required
	Green Start	SAVE AND TEST Press the green start button to open the door and save the limits
	Green Start	Press the green start button to close the door and complete test
		Orange LED will go out and courtesy LEDs will light up brightly

13 SETTING THE FORCE

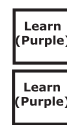
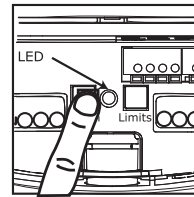
The force, as measured on the closing edge of the door, should not exceed 400N (40kg). If the closing force is measured to more than 400N, the Protector System™ must be installed (refer section 16).

The force setting regulates the amount of power required to open and close the door.

- **Door should be closed before proceeding.**
- Press the **purple** button twice to enter opener into force adjustment mode. The indicator LED will flash quickly.
- Press the **green** start button on the bottom of the opener. The door will travel to the up limit. Press the **green** start button again, the door will travel to the DOWN limit. The indicator LED will stop flashing when the force has been learned.
- The door must travel through a complete cycle, up and DOWN, in order for the force to be set properly. If the opener cannot open and close your door fully, examine your door to ensure that it is balanced properly and is not sticking or binding (refer section 4).



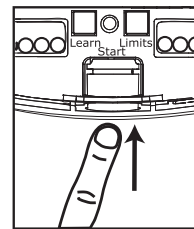
NB: Door must be in closed position



SETTING THE FORCE
Press the purple learn button twice



FAST flashing orange LED



Press the green start button to open the door.
Wait until door is fully open



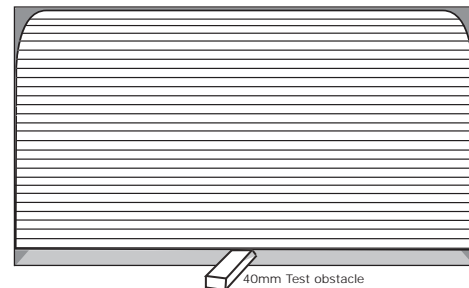
Press the green start button to close the door.

○ Orange LED will go out.

14 TESTING THE SAFETY REVERSE SYSTEM

! The safety reverse system test is important. The garage door must reverse on contact with a 40mm obstacle laid flat on the floor. Failure to properly adjust the opener may result in serious personal injury from a closing garage door.

Operate the door in the down direction. The door must reverse upon contact with the obstacle. If the door stops on the obstacle, remove obstacle and repeat limit and force setting (sections 12 & 13). **Repeat test of safety reverse system.**



This test should be repeated monthly to ensure the safe operation of your opener.

15 FIXING WARNING LABELS

Once you have completed your installation and successfully carried out the safety reverse system test outlined above. Install the warning labels provided with your motor.

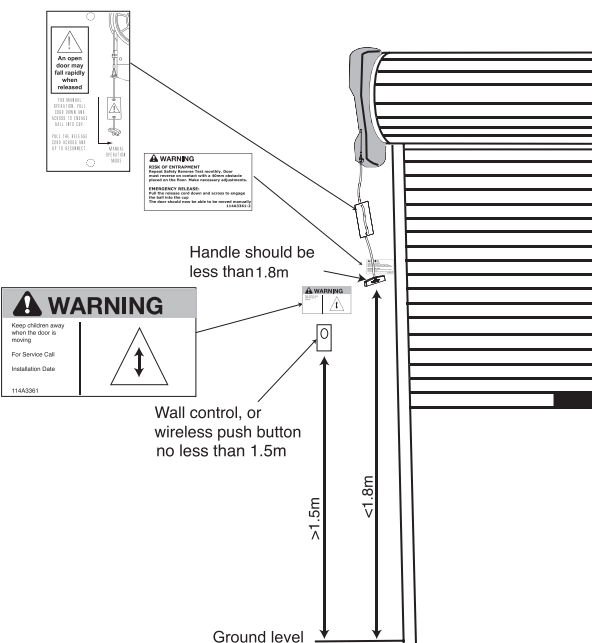
Ensure the **risk of entrapment** label is installed adjacent to the release handle at a height of less than 1.8m.

The **WARNING** label must be installed in a prominent place near any fixed control.

Any fixed wall control or wireless door control must be mounted at a height of no less than 1.5m **out of the reach of children.**

Ensure the instruction card concerning the manual release of the door is attached to the rope as detailed in section 10.

Read the safety instructions (page 1) for further details concerning safety.



STANDARD INSTALLATION COMPLETE

16 INSTALL THE PROTECTOR SYSTEM™ (IR BEAMS)



SAFETY FIRST!

Whilst Chamberlain have engineered safety features into your garage door opener, we urge you to consider fitting IR Beams to your new garage door opener. In many countries these devices are compulsory to prevent serious injury or property damage. For your own peace of mind and the safety of others we recommend you install this inexpensive safety device.

NOTE: This accessory must be used for all installations where the closing force as measured on the bottom of the door is over 400N (40kgf).

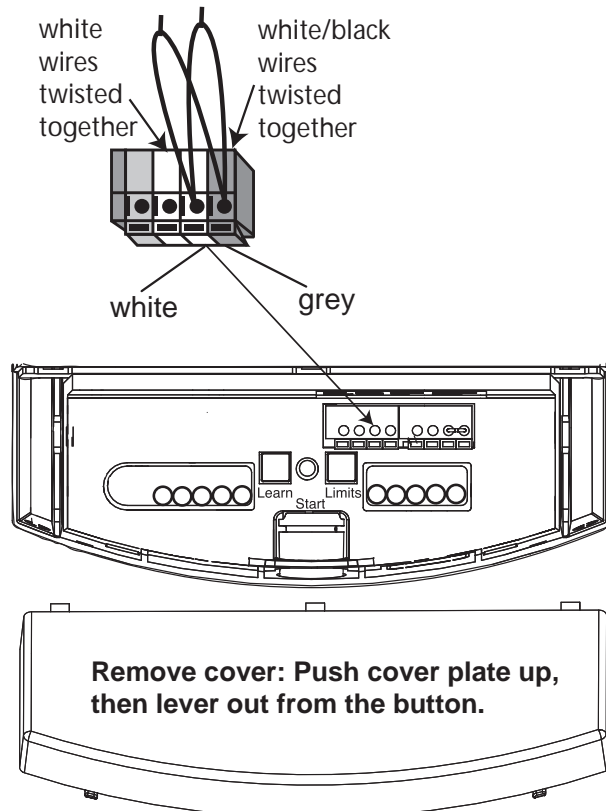
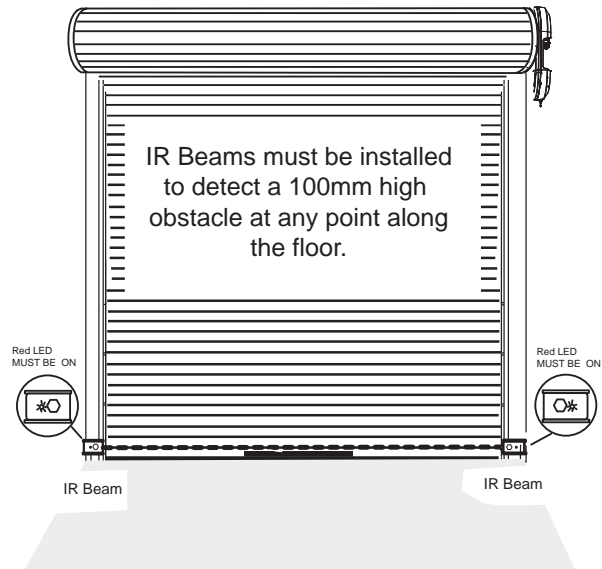
After the opener has been installed and adjusted, the **Protector System™** accessory can be installed. Instructions are included with this accessory.

The Protector System™ provides an additional measure of safety against a small child or animal being trapped under a garage door. It uses an infrared beam, which when broken by an obstruction, causes a closing door to open and prevents an open door from closing and is **strongly recommended for homeowners with young children.**

Installing and adjusting:

- Turn the opener off.
- Install the *Protector System™* using the brackets, wires and instructions provided with the product. Twist the two white (only) wires together and terminate them into the white "safety beam" terminal. Twist the two white/black wires together and terminate them into the grey "safety beam" terminal.
- Turn the opener on.

NOTE: The opener will automatically detect the Protector System™ when it is installed and operating for 5 minutes (during this time the beams must remain unobstructed). The opener will not close unless the beams are aligned.



17 WIRELESS PROGRAMMING (OPTIONAL ACCESSORIES)

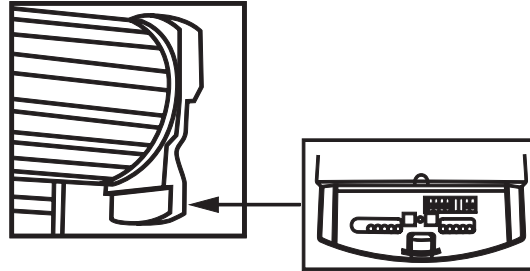
! *Activate the opener only when door is in full view, free of obstruction and properly adjusted. No one should enter or leave garage whilst door is in motion. Do not allow children to operate push button(s) or transmitter(s). Do not allow children to play near the door.*

! *Fix any wall control at a height of at least 1.5m and within sight of the door but away from any moving parts.*

NOTE: Your transmitter(s) have already been programmed into your operator.

ADDING transmitters using the "LEARN" button

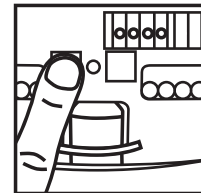
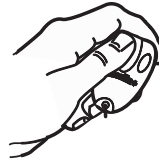
- Press and hold down the transmitter button you wish to program to the opener.
- The orange LED will flash continuously to indicate it is receiving signal from the transmitter.
- Press and release the purple learn button on the opener.
- The courtesy LED will flash once.
- Ensure the door is clear of obstruction, then test the transmitter.



Delete ALL transmitter codes

NOTE: This deletes all transmitters and codes

- Press and hold the purple learn button until the orange indicator light goes out (approximately 9 sec).



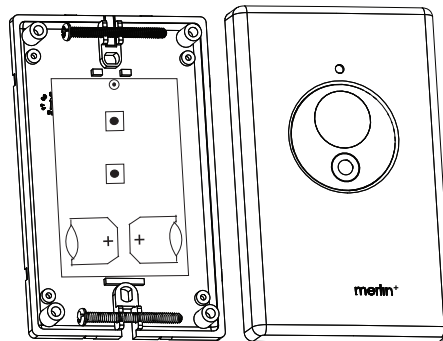
INSTALLING YOUR CM128 WIRELESS WALL BUTTON (OPTIONAL ACCESSORY)

! *Disconnect power to the opener whilst installing this accessory to prevent accidental activation. Locate minimum 1.5m above the floor*

To install:

- Carefully pry open the CM128 and locate the two screws for mounting.
- Attach to the wall using the two screws and wall anchors provided if mounting to a plaster wall. If using a recessed wall box do not use anchors.

NOTE: Do not overtighten screws.



18 KEYLESS DEVICE PROGRAMMING (OPTIONAL ACCESSORIES)

! *Activate the opener only when the door is in full view, free of obstruction and properly adjusted. No one should enter or leave garage whilst the door is in motion. Do not allow children to operate push button(s) or transmitter(s). Do not allow children to play near the door.*

Wireless Keypad C840 or 8747AML

Using the purple (learn) button:

1. Press and release the purple LEARN button (1) on the opener, the orange LED will light.
2. Within 30 seconds, enter a four digit personal identification number (PIN) of your choice on the keypad (2), then press and hold the ENTER button.
3. Release the button when the opener courtesy LEDs flash once (3), the code is learned.

Alternate programming method using the motion detecting control panel (optional accessory):

NOTE: This method requires two people if the keyless entry is already mounted outside the garage.

1. Enter a four digit personal identification number (PIN) of your choice on the keypad, then press and hold ENTER.
2. While holding the ENTER button, press and hold the LIGHT button on the motion detecting control panel.
3. Continue holding the ENTER and LIGHT buttons while you press the push bar on the motion detecting control panel (all three buttons are held).
4. Release buttons when the opener courtesy LEDs flash once.

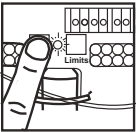
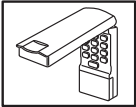
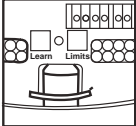
Wireless fingerprint access system C379

Full instructions are available with this accessory. Once you have enrolled your user into the C379 you can program the unit into your opener.

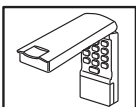


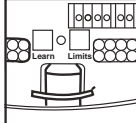
Using the learn button:

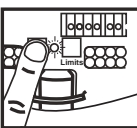
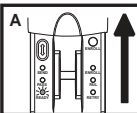
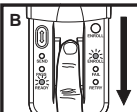
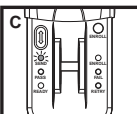
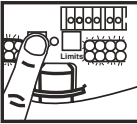
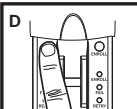
1. Press and release the learn button on the opener, the orange LED will light.
2. Within 30 seconds, slide the cover of the C379 up as illustrated (A). Swipe your finger on the reader head at a steady speed (B) until the yellow led turns on (C).
3. When the courtesy LEDs flash it has learned the code. Ensure there are no obstacles in the path of the door, then press the send button (D) to test the door.

Learn button programming

- 1  Press the purple (learn) button, orange LED will light
- 2  Enter 4 digit PIN at keypad (within 30s)
- 3  Orange LED will turn off and courtesy LEDs will flash once

Programming via multi-function control panel

- 1  Enter 4 digit PIN at keypad (within 30s)
- 2  Press and hold down LIGHT button on the motion detecting control panel
- 3  With the LIGHT button pressed, press and hold the PUSH BAR on the motion detecting control panel
- 4  Release the button when the courtesy LEDs flash once

-  Press the purple (learn) button, orange LED will light
- A  Slide the cover plate up (A)
- B  Swipe finger at a steady speed (B)
- C  Yellow LED will indicate successful swipe (C)
-  Courtesy LEDs will flash once
- D  Test reader by pressing the send button (D)

19 SPECIAL FEATURES - OPTIONAL

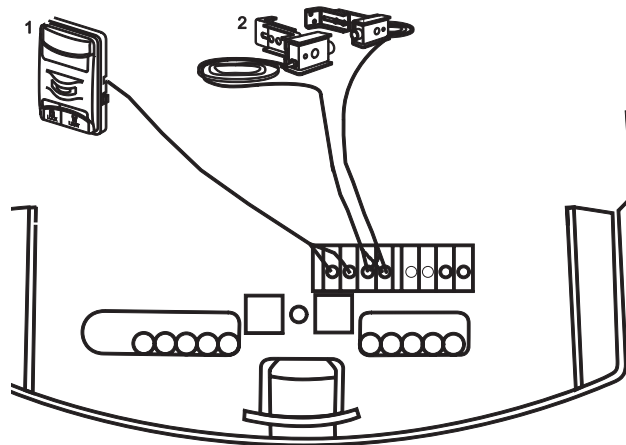
Motion detecting control panel

- Connect white/red wire to the red “wired wall control” quick connect terminal and the white wire to the white quick “wired wall control” connect terminal.

The Protector System™ (IR Beams)

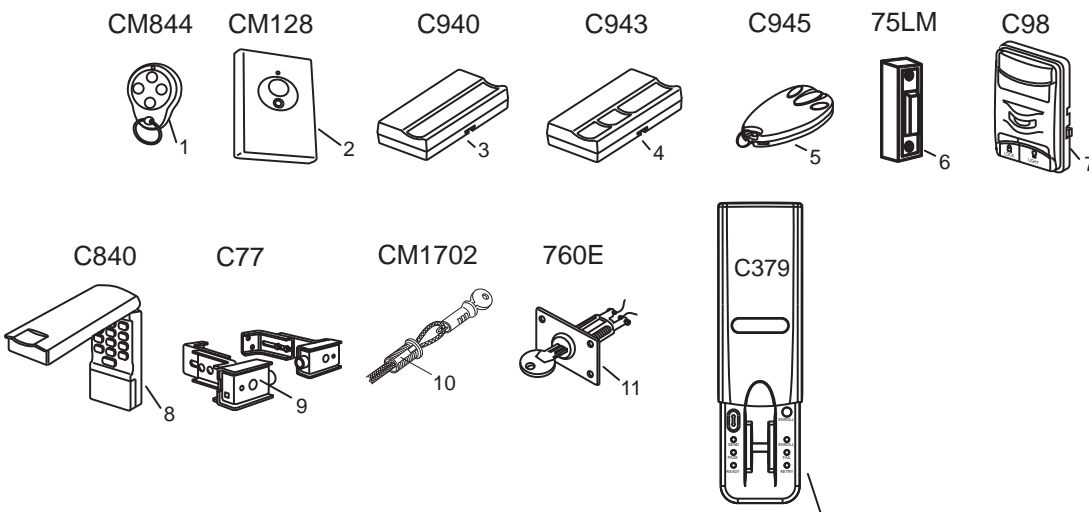
- Connect both white wires to the white “safety beam” quick connect terminal and both white/black wires to the grey “safety beam” quick connect terminal.

NOTE: Full instruction are supplied with these accessories.



22 ACCESSORIES

(1) Model CM844	4 Channel transmitter	(7) Model C98	Motion detecting control panel
(2) Model CM128	Wireless wall button	(8) Model C840	Keyless entry system
(3) Model C940	Single channel transmitter	(9) Model C77	The Protector System™
(4) Model C943	3 Channel transmitter	(10) Model CM1702	Quick release lock
(5) Model C945	3 Channel mini transmitter	(11) Model 760E	Outside keyswitch
(6) Model 75LM	Illuminated door bell push button	(12) Model C379	Wireless fingerprint access system



TROUBLESHOOTING

1. The opener doesn't operate from either the

GREEN start button or the transmitters :

- Does the opener have electric power? Plug a lamp into the outlet. If it doesn't light, check the fuse box.
- Have you disabled all door locks? Review installation instruction warnings on page 1.
- Is there a build-up of ice or snow under the door? The door may be frozen to the ground. Remove any restriction.
- The garage door spring may be broken. Have it replaced.

2. Opener operates from the transmitter, but not from the wired wall control (optional accessory):

- Is the wall control lit? If not, reverse the two wires. If the opener runs, check for a faulty wire connection at the wall control, a short under the staples, or a broken wire.
- Are the wiring connections correct? Refer to wired wall control instructions.

3. The door operates from the GREEN start button or wired wall control, but not from the wireless wall control or transmitter:

- If the wired wall control is installed and it is flashing, ensure the lock feature is off.
- Program the opener to match the transmitter code. (refer to section 17). Repeat with all transmitters.

4. The transmitter has short range:

- Change the location of the transmitter in your car.
- Check to be sure the antenna on the bottom of the opener extends fully downward.
- Some installations may have shorter range due to a metal door, foil backed insulation, or metal garage siding.

5. The garage door opens and closes by itself:

- Be sure that all transmitter push buttons are off.
- If the wired wall control (optional accessory) is installed, remove the bell wire from the wired wall control terminals and operate from the **GREEN** start button or transmitter. If this solves the problem, the wired wall control is faulty (replace), or there is an intermittent short on the wire between the wired wall control and the opener.
- Clear memory and re-program all wireless wall controls and transmitters.

6. The door reverses and stops before opening completely:

- Is something obstructing the door? Is it out of balance, or are the springs broken? Remove the obstruction or repair the door.
- Repeat the limit and force setting in section 12 & 13. Repeat safety reverse test after adjustments (refer to section 14).

7. The door reverses for no apparent reason and opener lights blink for 5 seconds after reversing:

- Check the Protector System™ (IR Beams), if installed. Correct alignment if the red light on the beam is solid.

8. The door opens but won't close or reverses while closing:

- Is something obstructing the door? Pull the manual release handle. Operate the door manually. If it is unbalanced or binding, call a trained door systems technician.

- Clear any ice or snow from the garage floor area where the door closes.

- Repeat the limit and force setting in section 12 & 13.

Repeat safety reverse test after adjustments (refer to section 14).

- If The Protector System™ is installed check the beams, both red LEDs should be on.

9. The opener strains to operate door:

- The door may be out of balance or the springs may be broken. Close the door and use the manual release to disconnect the door. Open and close the door manually. A properly balanced door will stay in any point of travel while being supported entirely by its springs. If it does not, disconnect the opener and call a trained door systems technician.

10. The opener motor hums briefly, then won't work:

- Check that the door is not in manual release mode, refer section 11.
- The garage door springs may be broken. See above.
- If the problem occurs on the first operation of the opener, door may be locked. Disable any door locks.

11. The opener won't operate due to power failure:

- Use the manual release handle to disconnect the door. The door can be opened and closed manually. When power is restored, re-engage the opener, refer to section 11.

12. Setting the limits manually:

a. Check that the opener position jumper is correct, refer to section 7.

b. Press and hold the **BLACK** button until the orange indicator light starts flashing slowly then release.

c. Press the **BLACK** button to move the door UP or the **PURPLE** button to move the door DOWN until the door reaches the desired UP limit. Ensuring there is enough clearance for your vehicle.

d. Press the **GREEN** start button. This sets the UP limit and begins closing the door. Immediately press either the **PURPLE** or the **BLACK** button. The door will stop. Adjust the desired DOWN limit using the **BLACK** and the **PURPLE** buttons. Check to be sure the door is fully closed without applying excessive pressure to the door curtain. Press the **GREEN** start button. This sets the DOWN limit and begins opening the door.

NOTE: If neither the BLACK or the PURPLE button is pressed, the door will reverse off the floor and the DOWN travel limit will be set automatically.

e. Open and close the door with the **GREEN** start button, transmitter or wall control 2 or 3 times.

- If the door does not stop in the desired UP limit or reverses before the door stops at the DOWN limit, proceed to setting the force (refer to section 13). If the door still does not stop at the desired limits is something obstructing the door? Disengage the opener. Open and close the door manually. If it is unbalanced or binding, call a trained door systems technician.

- If the door stops at both the desired UP and DOWN limits, proceed to setting the force.

OPERATION OF YOUR OPENER

Your opener can be activated by any of the following devices:

- **The green start button**
Hold the button down until door starts to move.
- **The wall control, outside keyswitch or keyless entry system** (if you have installed any of these accessories).
- **The transmitter or wireless wall control (84330AML)**
Hold the push button down until the door starts to move.

When the opener is activated by transmitter, green start button or wall control:

- If open, the door will close. If closed, the door will open.
- If closing, the door will stop.
- If opening, the door will stop (allowing space for entry and exit of pets and for fresh air).
- If the door has been stopped in a partially open or closed position, it will reverse direction.
- If an obstruction is encountered while closing, the door will reverse.
- If an obstruction is encountered while opening, the door will reverse and stop.
- The optional Protector System™ uses an invisible beam which, when broken by an obstruction, causes a closing door to open and prevents an open door from closing. It is **STRONGLY RECOMMENDED** for homeowners with young children.

Allow a 15 minute cooling period after 4 minutes of continuous operation of the opener.

Opening the door manually:



Door should be fully closed if possible. Weak or broken springs could allow an open door to fall rapidly. Property damage or serious personal injury could result.

The door can be opened manually by pulling the release cord down firmly.

To re-engage the door, pull the release cord down firmly (refer section 11).

The opener light will turn on:

- when opener is initially plugged in;
 - when the power is briefly interrupted;
 - when the opener is activated.
- (the light turns off automatically after 2-1/2 minutes).

CARE OF YOUR OPENER

When properly installed, your opener will operate with minimal maintenance. The opener does not require additional lubrication.

Limit and force settings: These settings must be checked and properly set when the opener is installed. Weather conditions may cause some minor changes in the door operation, requiring some re-adjustments, particularly during the first year of operation. Refer to limit and force setting in sections 12 & 13.

Follow the instructions carefully and repeat the safety reverse test after any adjustment.

Transmitter: Additional transmitters can be purchased at any time. Refer to accessories. Any new transmitters must be programmed into the opener.

Transmitter battery: If transmission range decreases, replace the battery.

MAINTENANCE OF YOUR OPENER

Once a month:

- Repeat safety reverse test.
Make any necessary adjustments (refer sections 12 & 13).
- Manually operate door. If it is unbalanced or binding, call for professional garage door service.
- Check to be sure door opens and closes fully.
Set limits and/or force if necessary.

SPECIFICATIONS ROLLERACE - MR60

Input Voltage:	230-240VAC, 50Hz, 85W
Rated Load:	15Nm
Max. Pull Force:	450N @ O 300mm
Max. Door Mass:	60kg (spring balanced)
Idle Current:	3 Watts nominal
Drive:	DC gearmotor permanent lubrication
Max. Drum Rotations:	4.5
Memory Registers:	64
Operating Frequency:	433.92MHz

SPECIAL NOTE: Merlin strongly recommends that the Protector System™ be installed on all garage door openers.

CHAMBERLAIN LIMITED WARRANTY
Merlin Professional RollerAce MR60
Roller Garage Door Opener

Chamberlain Australia Pty Limited / Chamberlain New Zealand Limited (**Chamberlain**), the manufacturer of Merlin® automatic garage door openers, is committed to manufacturing and supplying high quality goods. As part of this commitment, we seek to provide reliable service and support for our goods and are pleased to provide you, the original purchaser, with this Chamberlain Limited Warranty.

We also provide the following statement as required by the Australian Consumer Law: In Australia, in addition to your rights under this Chamberlain Limited Warranty, our goods come with guarantees that cannot be excluded under the Australian Consumer Law. You are entitled to a replacement or refund for a major failure and for compensation for any other reasonably foreseeable loss or damage. You are also entitled to have the goods repaired or replaced if the goods fail to be of acceptable quality and the failure does not amount to a major failure.

Chamberlain's warranty

Chamberlain warrants to the original purchaser of the following Merlin® Roller Door Openers:

Merlin® RollerAce MR60 Roller Door Opener (Unit) that all parts of the Unit, other than remote controlled transmitters and accessories, globes and batteries, are free from defects in materials and workmanship for a period of 24 months or 5,000 cycles (opening & closing of the garage door) whichever comes first, from the date of purchase when installed in a residential premise with a residential specified garage door that is designed for the sole purpose of domestic domicile.

Chamberlain warrants that remote controlled transmitters and accessories included with the Unit are free from defects in materials and workmanship for a period of 12 months from the date of purchase.

Batteries and globes are not covered under the Chamberlain Limited Warranty.

It is a condition of this Chamberlain Limited Warranty that the Unit is sold, installed and serviced by a Professional Dealer appointed by Chamberlain. A Merlin® branded garage door opener purchased over the internet and installed by a person other than a Professional Dealer will not be covered by this Chamberlain Limited Warranty.

It is also a condition of this warranty that the garage door is operable by hand and opens and closes with no more than a maximum of 20kgs of lifting weight. Chamberlain recommends that the garage door is serviced by a garage door technician every 12 months. This garage door service fee will be at the consumer's expense.

NB: The Australian Garage Door Association directs attention to consumers to maintain your garage door in good running order it is important your door is serviced by a professional garage door technician every 12 months or earlier as conditions may require.

During the applicable Chamberlain Limited Warranty period, if you are concerned that the Unit may be defective, for prompt on-site service call the Professional Dealer that sold/installed the opener, or our service centre on the toll free number below and a Chamberlain technician will diagnose the problem and arrange for this to be rectified. Once the problem has been diagnosed, subject to your rights under the Australian Consumer Law with respect to major failures, Chamberlain or its Professional Dealer will provide you with:

1. repairs to the Unit
or
2. a replacement Unit.

Repairs and replacement parts provided under this Chamberlain Limited Warranty are provided free of charge and are warranted for the remaining portion of the original warranty period.

This Chamberlain Limited Warranty provides benefits which are in addition to your other rights and remedies as a consumer.

Exclusions

If our service centre determines that a warranty claim has been made in respect of a failure or defect arising under or out of any exclusion detailed below such that the claim is not covered under this Chamberlain Limited Warranty, we may, subject to your other rights and remedies as a consumer, charge you a fee to repair, replace and/or return the Unit to you.

This Chamberlain Limited Warranty does not cover any failure of, or defect in, the Unit due to:

- 1 non-compliance with the instructions regarding installation, operation, maintenance and testing of the Unit or of any product with which the Unit is used;
- 2 any attempt by a person other than a Professional Dealer to repair, dismantle, reinstall or move the Unit to another location once it has been installed;
- 3 tampering, neglect, abuse, wear and tear, accident, electrical storm, excessive use or conditions other than normal domestic use;
- 4 problems with, or relating to, the garage door or garage door hardware, including but not limited to the door springs, door rollers, door alignment or hinges;
- 5 problems caused by electrical faults or replacement of batteries or light bulbs;
- 6 water or moisture ingress that causes corrosion or electrical malfunction;
- 7 corrosion caused by sea air if located near a waterway, beach etc; or
- 8 fitment to a commercial door or in a commercial operating application.

NB: A General Purpose Outlet (GPO) ie: power point must be supplied by the consumer as this electrical fitting does not form a part of the Unit (opener).

If this Chamberlain Limited Warranty does not apply, you may have rights available to you under the Australian Consumer Law.

Liability – Australia only

Except as set out in the Australian Consumer Law (being Schedule 2 of the Competition and Consumer Act 2010) (as amended, consolidated or replaced):

- 1 all other guarantees, warranties and representations in relation to the Unit or its supply are excluded to the extent that Chamberlain can lawfully exclude them; and
- 2 under no circumstances will Chamberlain be liable for consequential, incidental or special damages arising in connection with the use, or inability to use, the Unit, other than those which were reasonably foreseeable as liable to result from the failure.

Liability – New Zealand only

Except as set out in the Fair Trading Act 1986 and the Consumer Guarantees Act 1993 (as amended, consolidated or replaced):

- 1 all other guarantees, warranties and representations in relation to the Unit or its supply are excluded to the extent that Chamberlain can lawfully exclude them; and
- 2 under no circumstances will Chamberlain be liable for consequential, incidental or special damages arising in connection with the use, or inability to use, the Unit, other than those which were reasonably foreseeable as liable to result from the failure.

Note

We request that you retain your sales docket or invoice as proof-of-purchase and attach it to this manual to enable you to establish the date of purchase in the unlikely event of a warranty service being required. Chamberlain reserves the right to change the design and specifications of the Unit without prior notification. Some features or accessories of the Unit may not be available in certain markets or areas. Please check with your distributor.

Chamberlain service centre contact details

Australia

Phone toll free 1800 638 234
Fax toll free 1800 888 121
Chamberlain Australia Pty. Ltd.
PO BOX 1446
Lane Cove NSW 1595
Website: www.gomerlin.com.au

New Zealand

Auckland phone 09 477 2823
Phone toll free 0800 653 667
Fax toll free 0800 653 663
Website: www.gomerlin.co.nz

Email: customerservice@chamberlainanz.com

™ Trademark of The Chamberlain Group, Inc.

® Registered Trademark of The Chamberlain Group, Inc.

© 2013 The Chamberlain Group, Inc