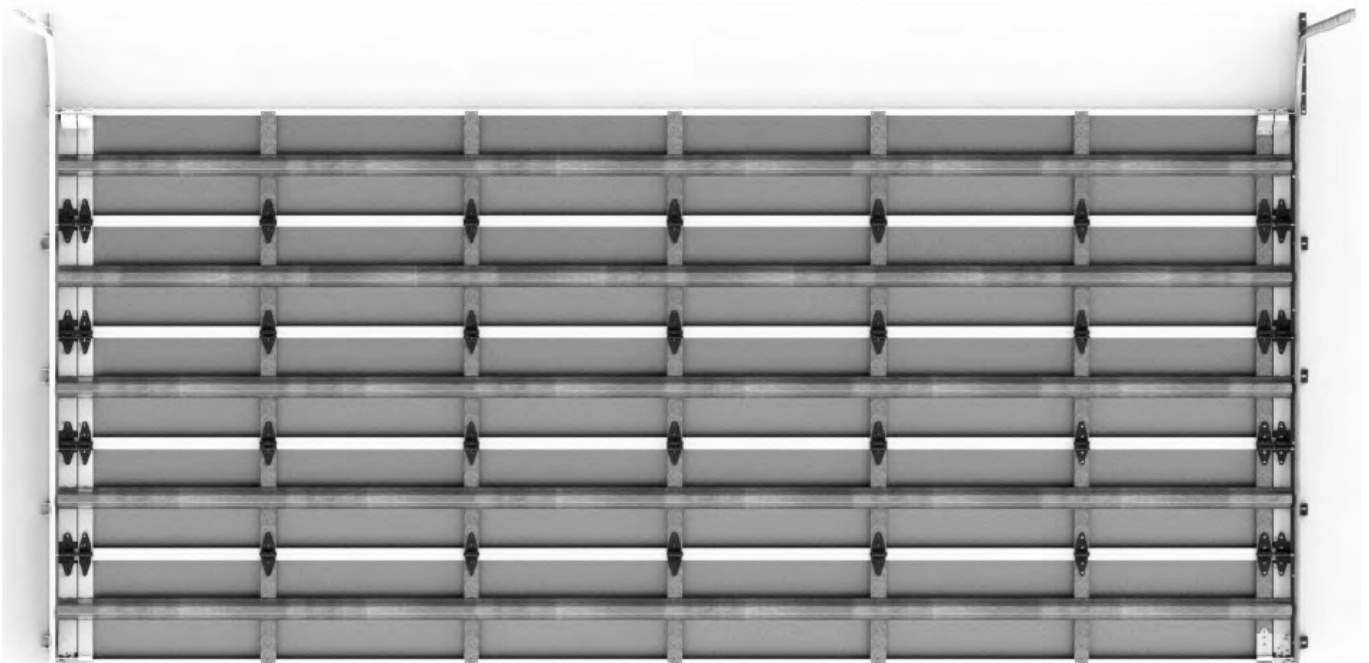




designed to *glide*™

Storm • Safe™

Home Protection Garage Doors



**C2 Rated Sectional Garage Door
Installation & User Guide**

IMPORTANT - SAFETY INFORMATION

WARNING: UNIT MUST BE INSTALLED AS OUTLINED AND IN STRICT ACCORDANCE WITH THE FOLLOWING INSTRUCTIONS. FAILURE TO COMPLY WITH THE FOLLOWING INSTRUCTIONS AND SAFETY WARNINGS MAY RESULT IN SERIOUS PERSONAL INJURY AND/OR PROPERTY DAMAGE.

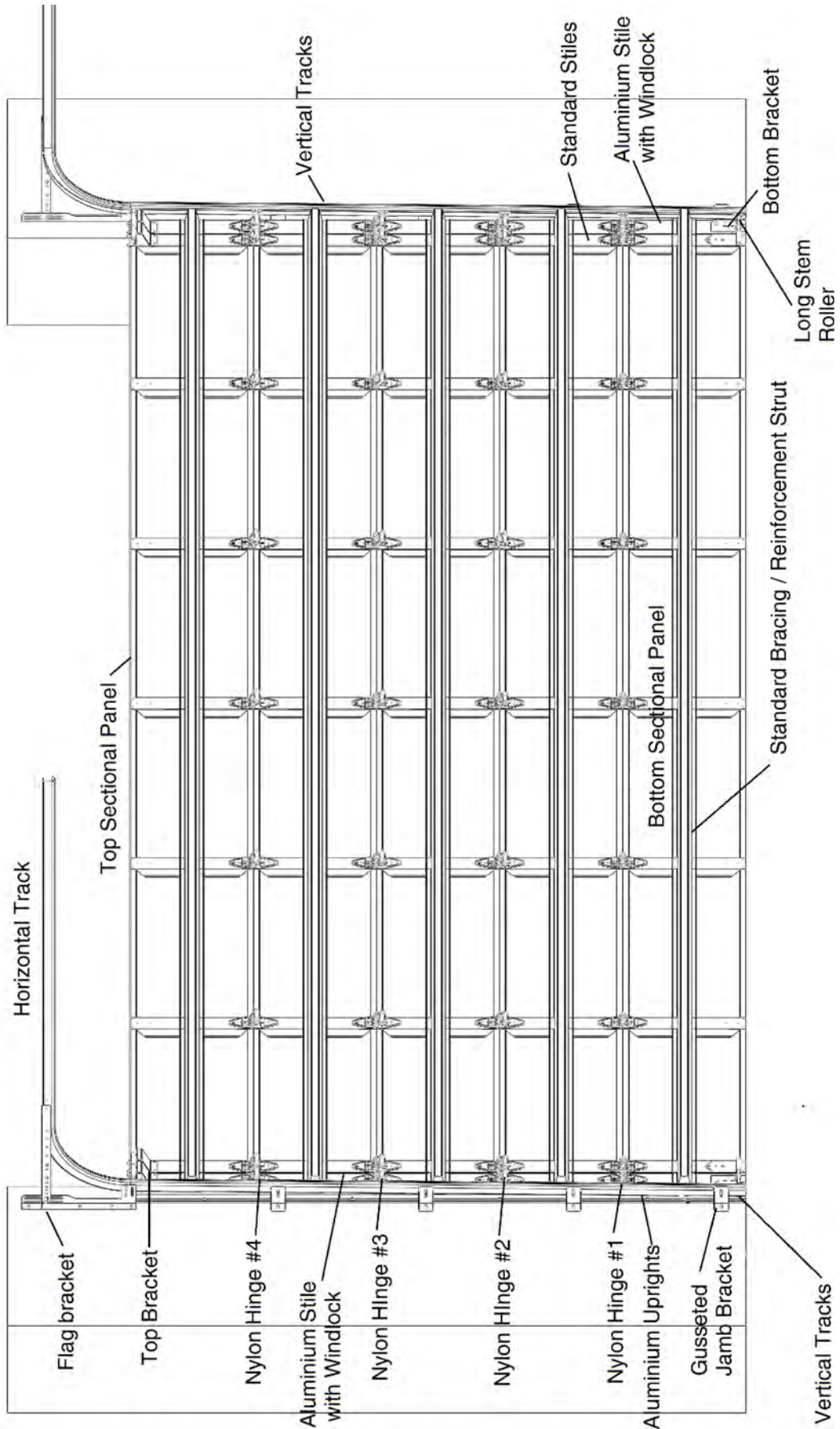
NO GUARANTEE WILL BE GIVEN OR RESPONSIBILITY ACCEPTED BY THE MANUFACTURER IF THE DOOR IS NOT INSTALLED BY AN AUTHORISED GLIDEROL INSTALLER.

Contents

1.0	Installation Overview	3
1.1	Storm-Safe Sectional Door Overview	3
1.2	Parts List	4
1.3	Fixing Guide	5
1.2	Clearances Diagrams	6
2.0	Installation Instructions	7
2.1	Installing Aluminium Uprights	7
2.2	Installing Vertical Tracks	8
2.3	Preparing the Door Panels	10
2.4	Attach Nylon Hinges	11
2.5	Attach Bracing/Struts	12
2.6	Installing Panels	12
2.7	Torsion Spring Assembly	14
3.0	Certified Drawings	16
4.0	Warranty	18

1.0 Installation Overview

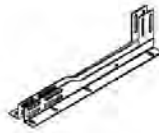
1.1 Storm-Safe Sectional Door Overview



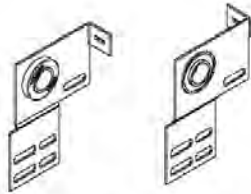
1.2 Parts List



Long Stem Roller



Flag Bracket



12GA End Bearing Bracket



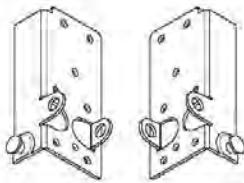
Residential Top Bracket



Commercial Top Bracket



Mini Center Bracket



12GA Bottom Bracket



Gusseted Jamb Bracket



Nylon Hinge #1



Nylon Hinge #2



Nylon Hinge #3

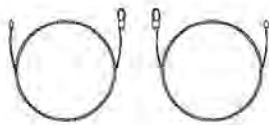


Nylon Hinge #4

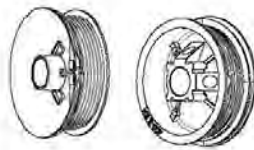


Nylon Hinge #1

Center Hinge



Cable



Cable Drum



Lift Handle



1" Commercial Bearing



3/8"-16x3/4"
Carriage Bolt



3/8"-16
Flange Nut



3/8"-16x1-1/2"
Machine Screw



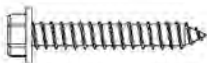
3/8"-16
Hex Nut



1/4"-20x5/8"
Ribbed Track Bolt



1/4"-20
Flange Nut



5/16"x2" Long Screw



1/4"-20x25mm
Tek Screw



1/4"-20x3/4"
Tek Screw



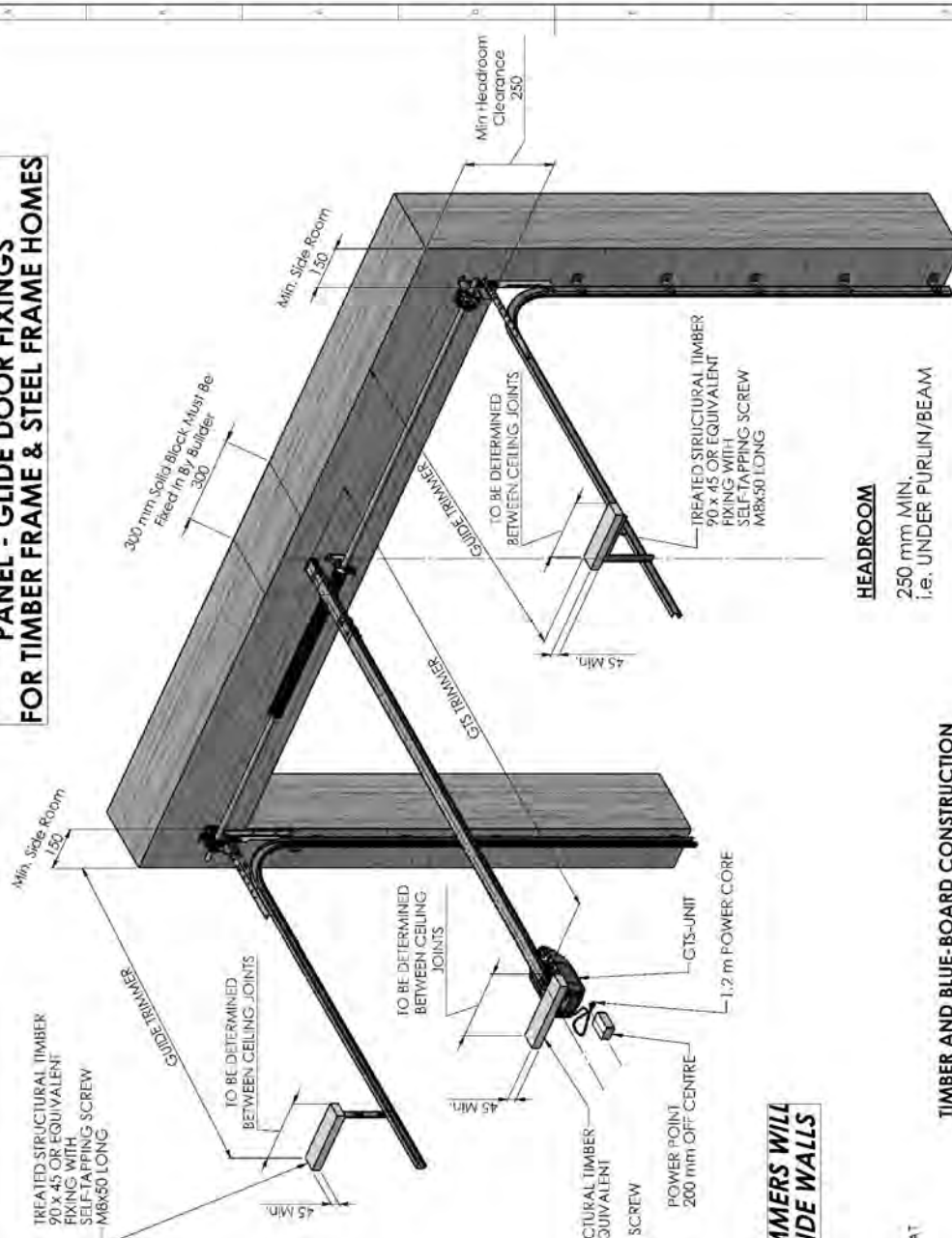
14-10 x 65 Timber Screw



MB Washer

1.3 Fixing Guide

PANEL - GLIDE DOOR FIXINGS FOR TIMBER FRAME & STEEL FRAME HOMES



GUIDE TRIMMERS (FROM LINTEL)

DOOR OPENING HEIGHTS

- 1970 - 2450 TRIMMER @ 2400 CENTRE FROM LINTEL
- 2451 - 2725 TRIMMER @ 2700 CENTRE FROM LINTEL
- 2726 - 3000 TRIMMER @ 3000 CENTRE FROM LINTEL

GLIDERMATIC TRIMMERS (FROM LINTEL)

[CENTRE OF OPENING]

DOOR OPENING HEIGHTS

- 1970 - 2250 TRIMMER @ 3400 FROM LINTEL
- 2251 - 2650 TRIMMER @ 3600 FROM LINTEL
- 2651 - 3000 TRIMMER @ 4000 FROM LINTEL

POWER POINTS (FROM LINTEL) [ON CEILING]

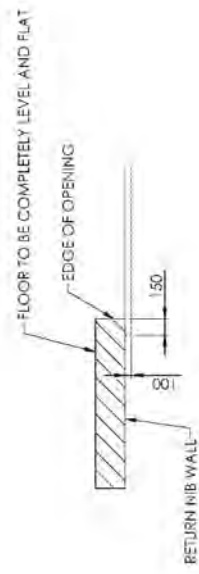
DOOR OPENING HEIGHTS

- 1970 - 2250 @ 3400 FROM LINTEL 200 mm OF CENTRE
- 2251 - 2650 @ 3600 FROM LINTEL 200 mm OF CENTRE
- 2651 - 3000 @ 4000 FROM LINTEL 200 mm OF CENTRE

NOTES:

- MINIMUM SIDE ROOM = 150 mm
- MINIMUM HEAD ROOM = 250 mm

IF SIDE ROOM UNDER 200 mm CEILING TRIMMERS WILL NOT BE REQUIRED. FIXINGS WILL BE FROM SIDE WALLS



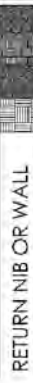
OVERHEAD PLAN VIEW

HEADROOM

250 mm MIN.
i.e. UNDER PURLIN/BREAM

TIMBER AND BLUE-BOARD CONSTRUCTION OVERHEAD PLAN VIEW

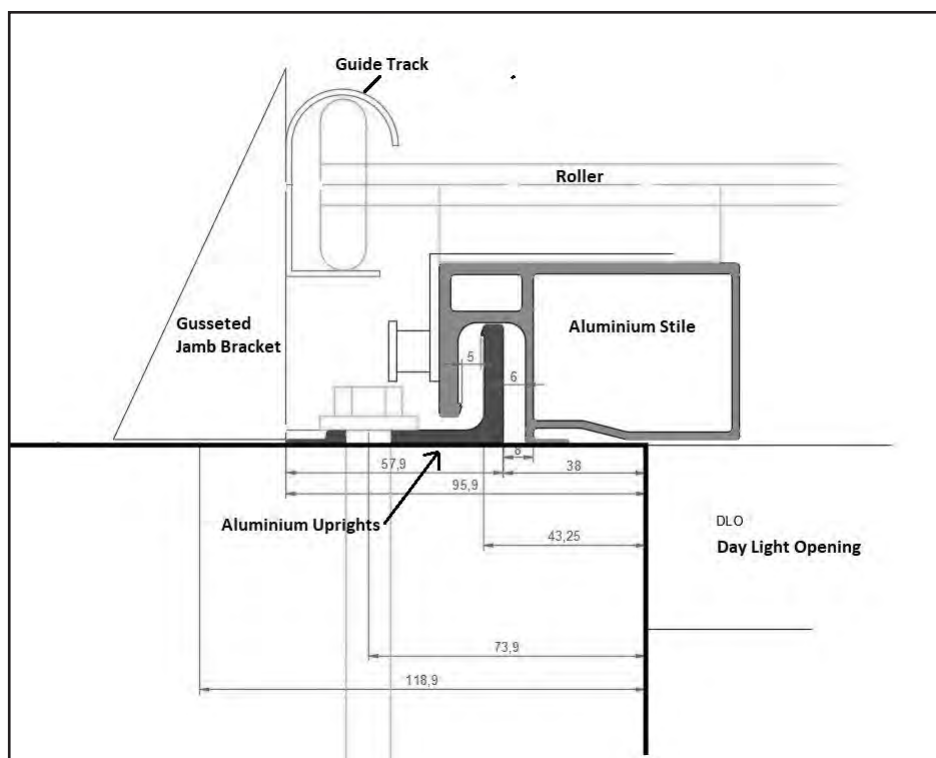
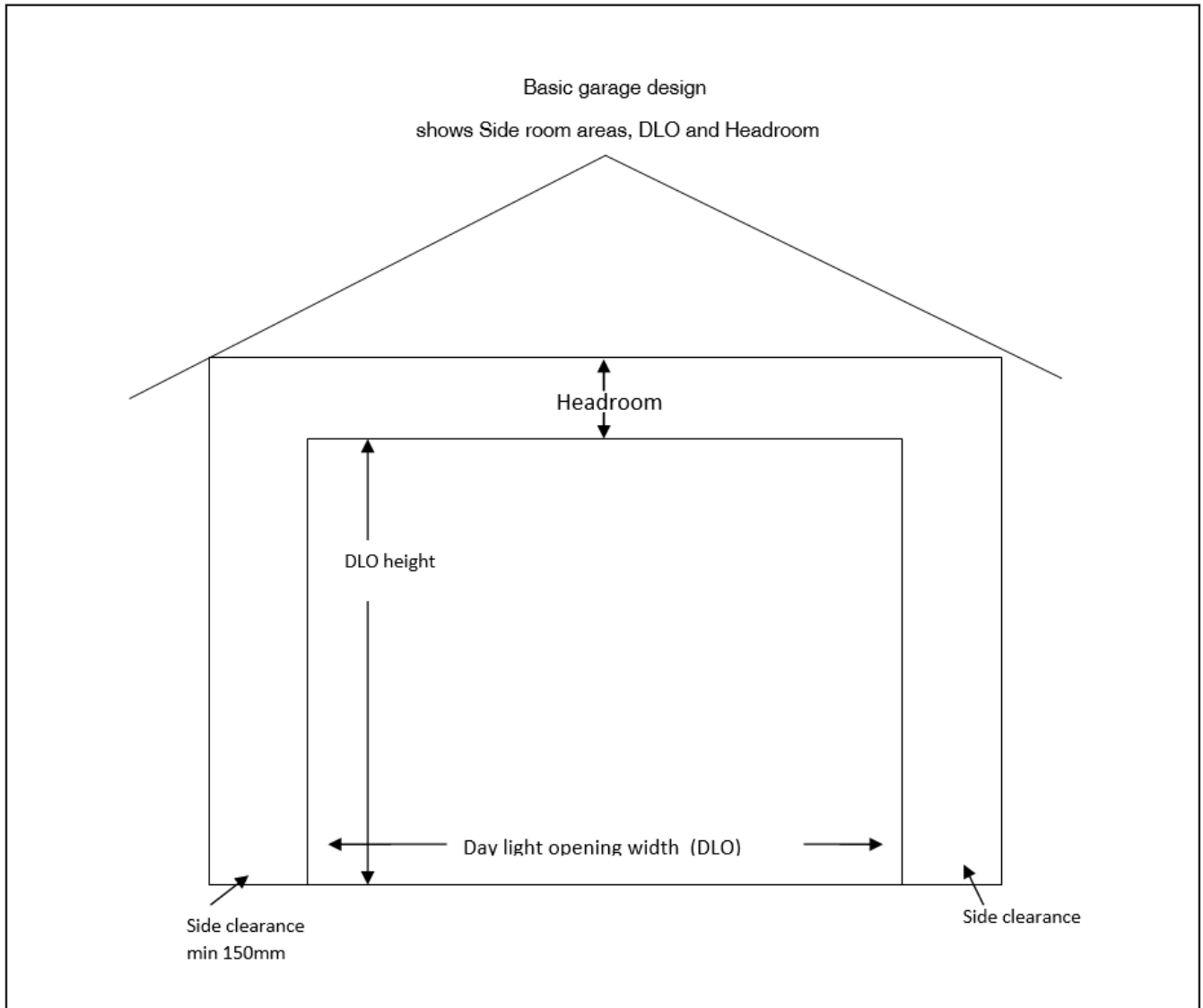
SIDE FIXING DETAILS



REQUIRED 3x45 OR 4x35 STUBS

TITLE: PANEL-GUIDE DOOR FIXINGS STANDARD DATE: 201403 DRAWN BY: [Name] CHECKED BY: [Name] APPROVED BY: [Name]	PROJECT: 201403 PG STANDARD DRAWING NO: 110 MATERIALS: [List] SCALE: 1:10 SHEET NO: A2

1.4 Clearances Diagrams

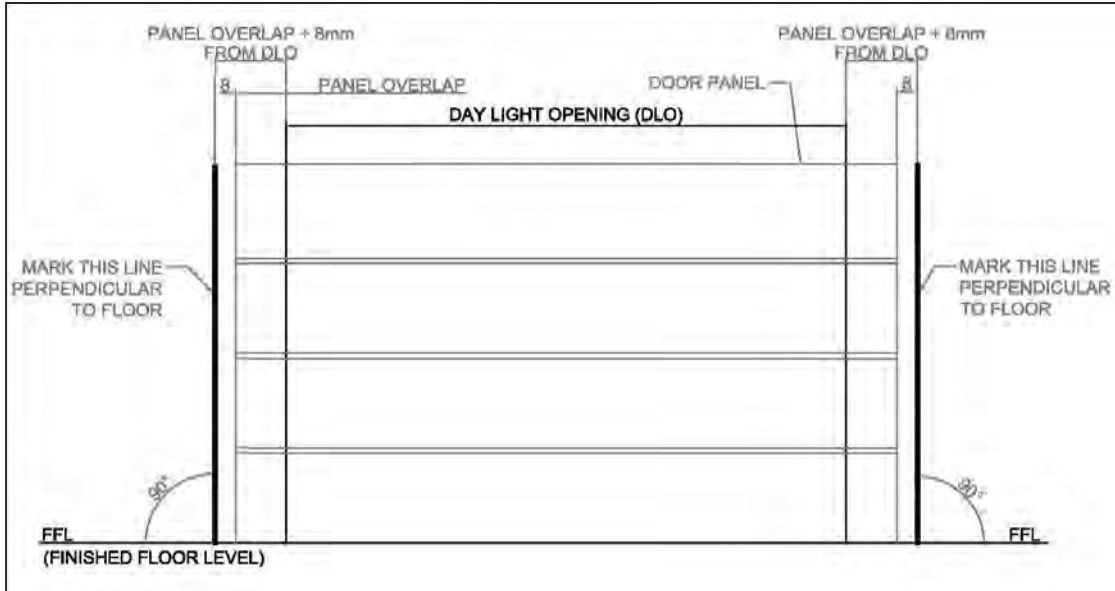


2.0 Installation Instructions

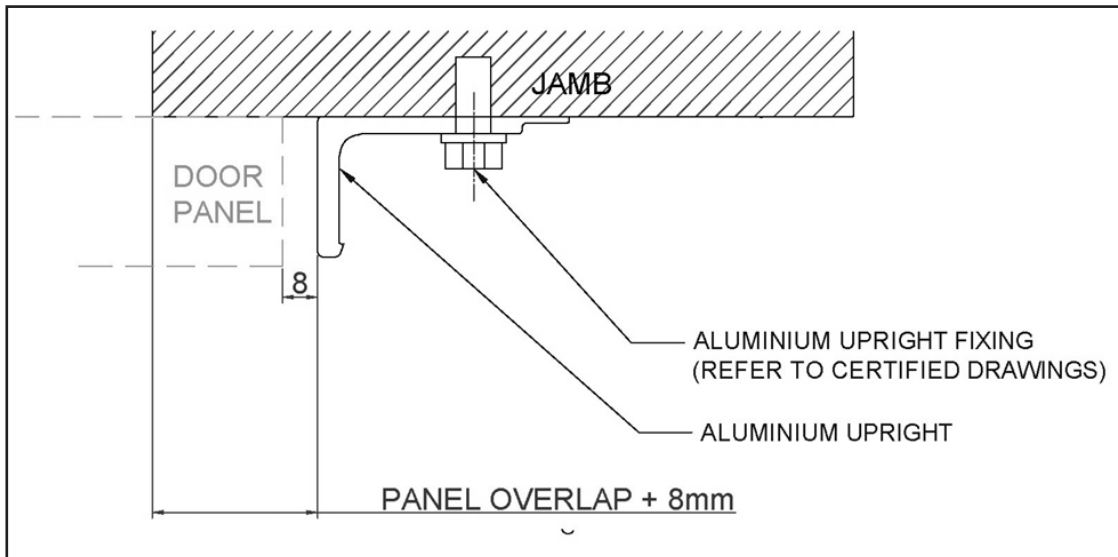
2.1 Installing Aluminium Uprights

Measure the opening size, side room and headroom dimensions to ensure the sectional door fits the opening. Refer to various dimensions and clearances (available on previous pages) before proceeding with installation.

Determine panel overlap on either side of the daylight opening (minimum 30mm per side) and mark two evenly spaced perpendicular lines from floor level on either end of the opening 8mm from the panel overlap.

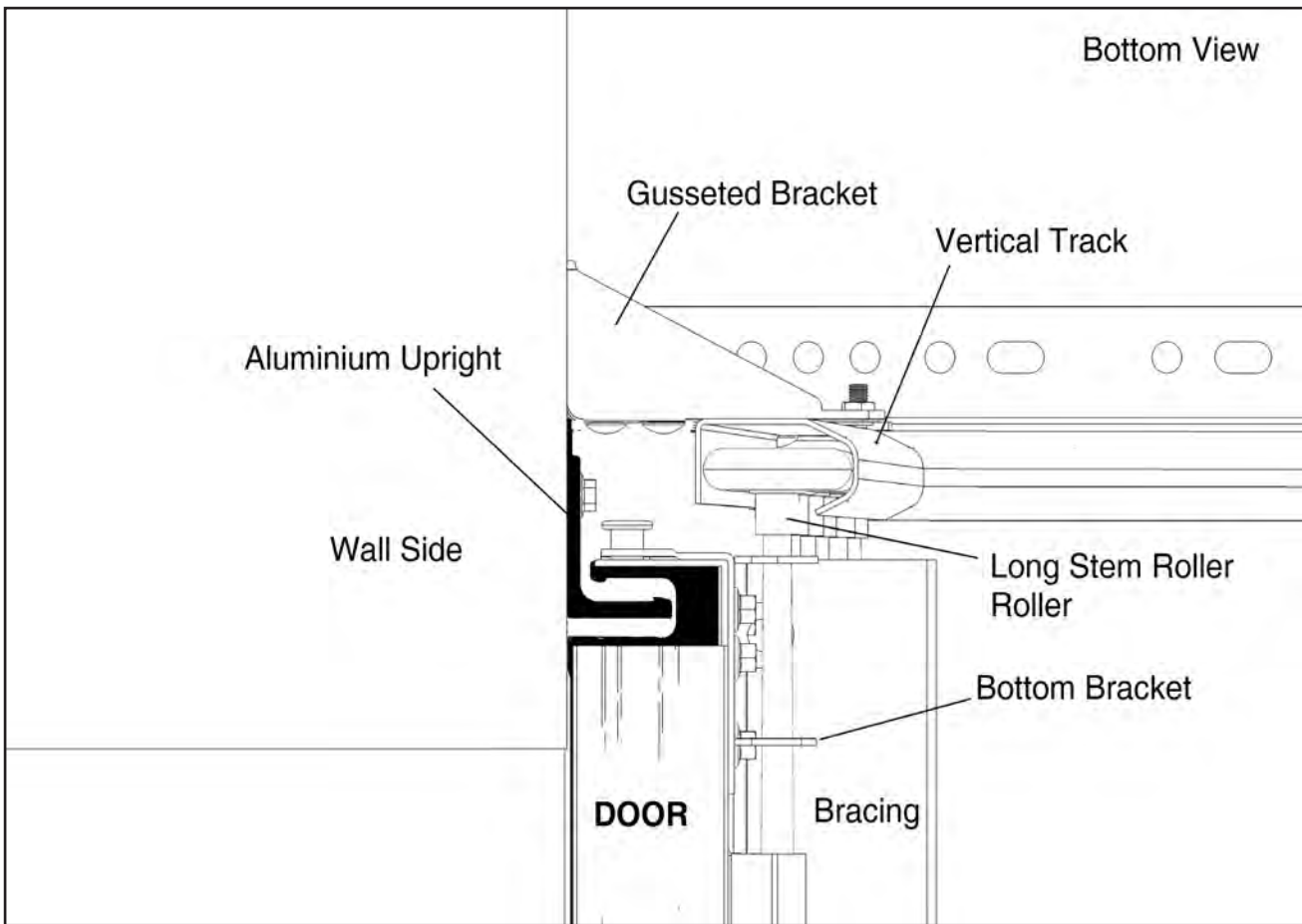
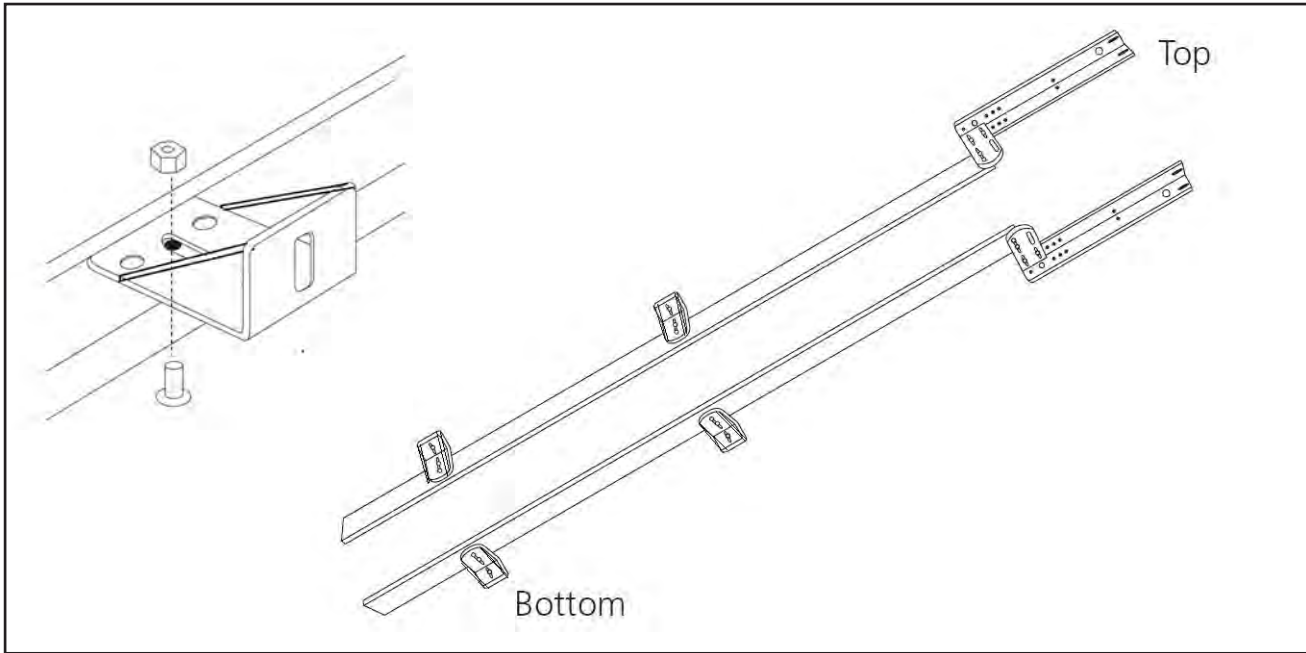


Using appropriate fasteners (refer to certified drawings depending on abutment type Steel/Timber/Block) secure both Aluminium Uprights on the marked line as per the figure below. To locate the screw holes, a hairline is marked on the Aluminium uprights. The maximum spacing between the fixings must be 300mm centres. Refer to certified drawing for full details.

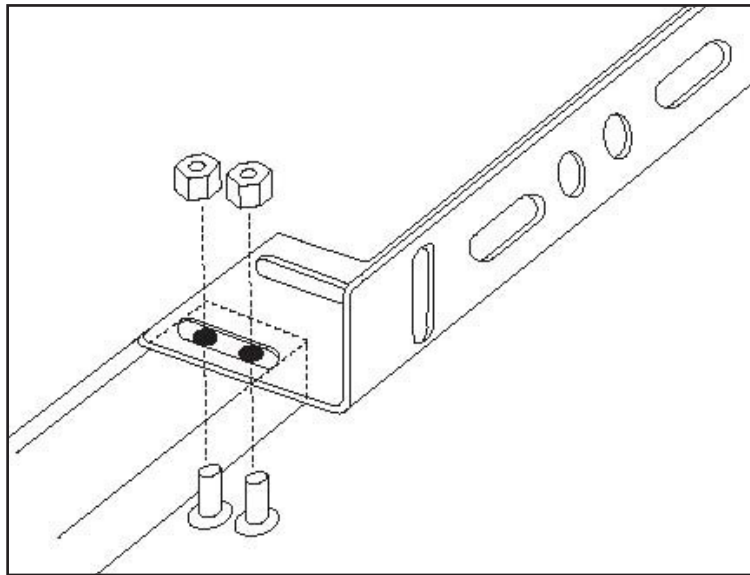


2.2. Installing Vertical Tracks

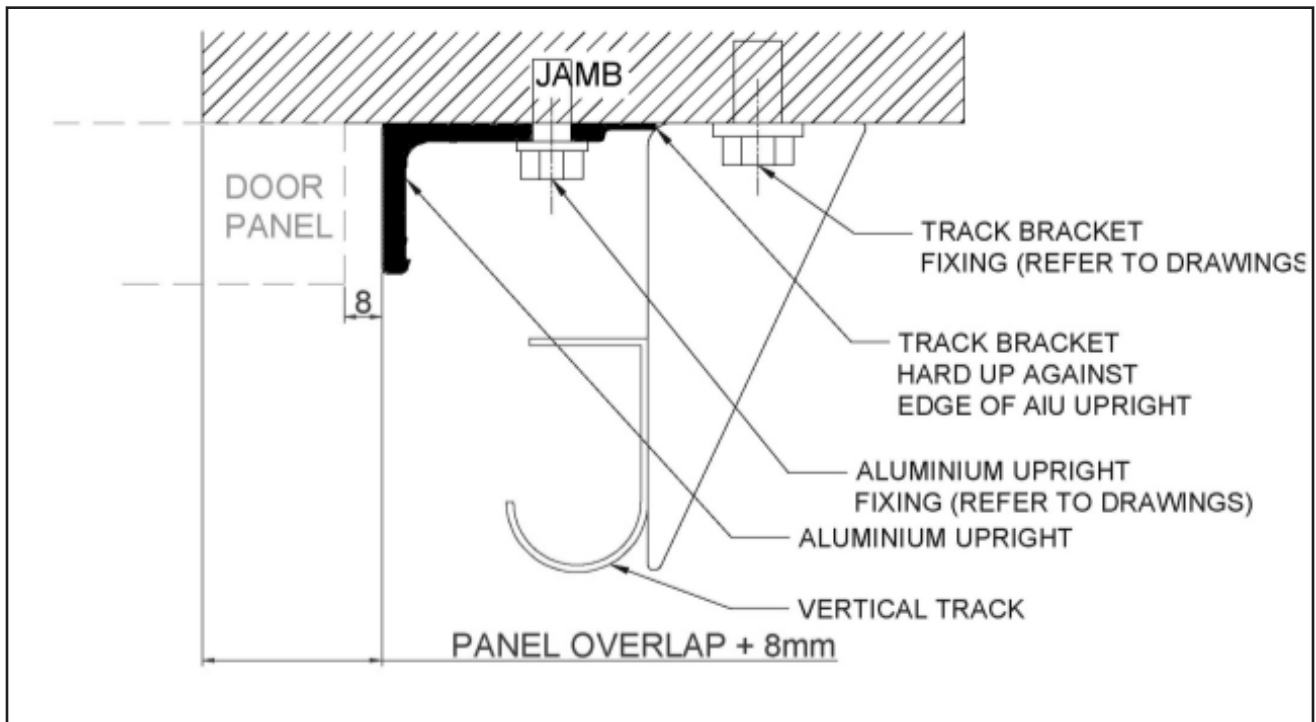
Loosely fasten the wall fix brackets to each vertical track using the 1/4" x 5/8" screws and nuts as shown. The screw heads must be inside the track. The smaller wall bracket is fixed to the bottom of the track, with the larger bracket above. **IMPORTANT** ensure the flat edge of the track is facing the wall.



Attach the flag brackets to the top of the track with the 1/4" screw using the # 1 hinge attach a hinge to each rigid x 5/8" screws and nuts, once again screws heads must be in a vertical section of the panel. Ensure hinge is face down and inside the track level with top edge of the panel.

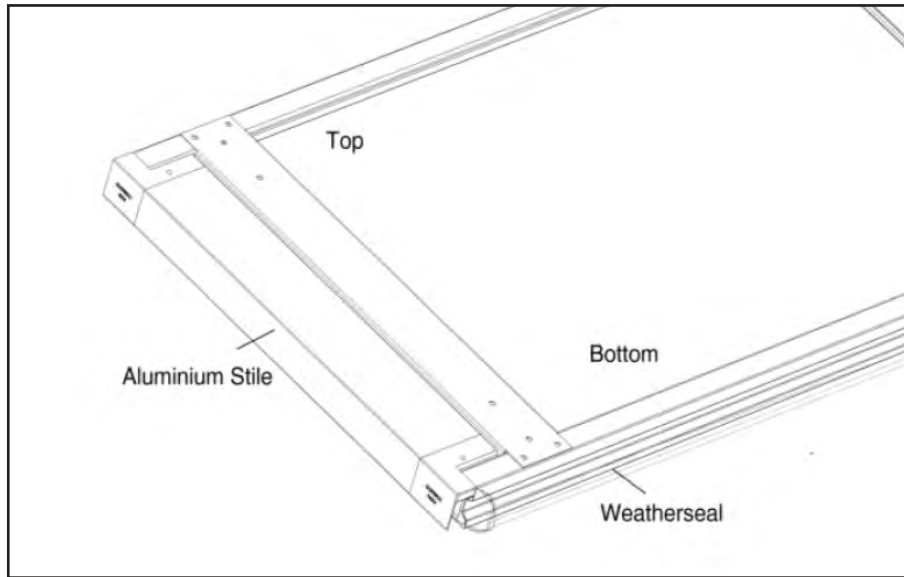


Align the inside edge of the track Jamb Bracket hard up against the Aluminium Upright as shown below and Install each vertical track to garage wall using suitable fixings, refer to Abutment details certified drawing in the end of the document for type of fixing to be used for Steel/Timber/Block fix.



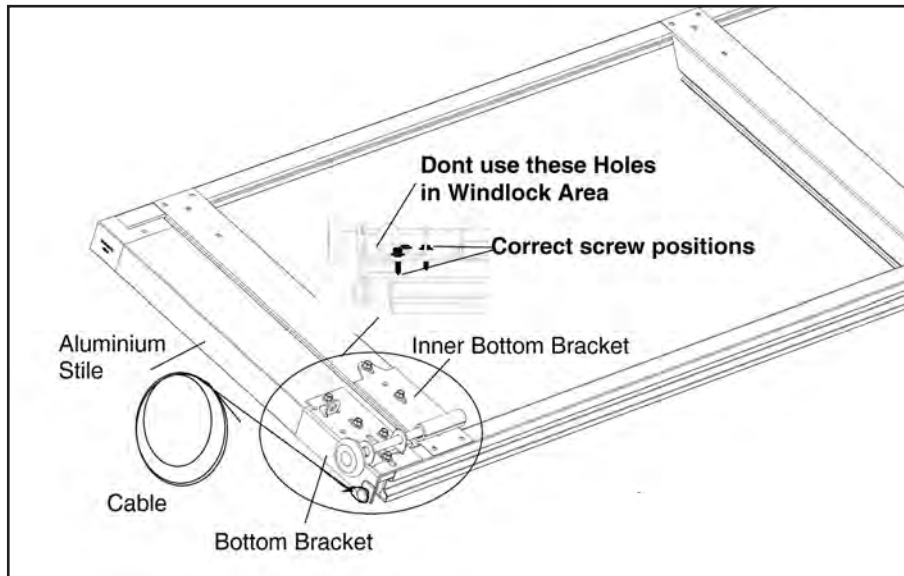
2.3 Preparing the Door Panels

Select door panel with weather seal pre-installed to bottom edge. Place this panel face down on a soft support (eg two padded saw horses).



Attach the Bottom Cable Bracket and Inner Bottom Bracket to each bottom corner of the panel using 1/4" metal screws. Hook one cable over steel extrusion either end. Attach cable to the Bottom Bracket on both ends of the bottom panel as shown below.

IMPORTANT: Do not use screw holes on the edge of Bottom Bracket as the screw will penetrate the Windlock area and jam during door operation.

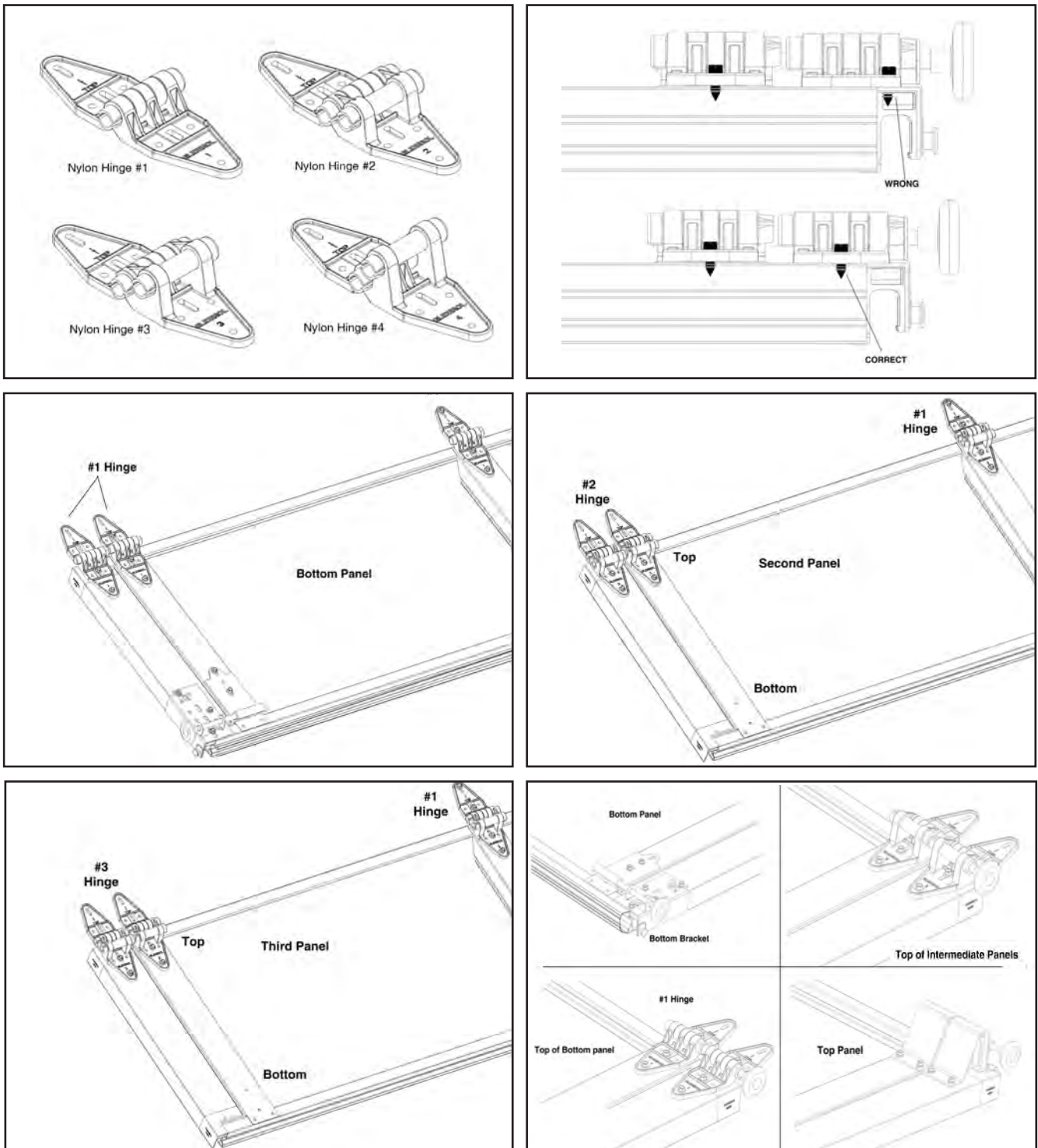


2.4 Attach Nylon Hinges

Attach Side Hinges #1 to top side of bottom panel and all center stiles using 1/4" metal screws. Feed the roller through both hinges to get the alignment right while attaching hinges. Secure only middle holes on the exterior hinges to ensure screws don't penetrate on the Aluminium Windlock side. Refer below for correct method.

Similarly Attach #2 Side hinges to top of second panel end stiles and all intermediate stile needs to be fixed with #1 Hinge. Repeat this procedure for remaining panels except Top Panel with #3 & #4 Side Hinges for end stiles and #1 Hinge for intermediate Stiles respectively as shown in pictures below. If your door has more than 4 panels, repeat above step using #4 hinges.

As each section is completed, the rollers must be placed in the end hinges and brackets as shown below.



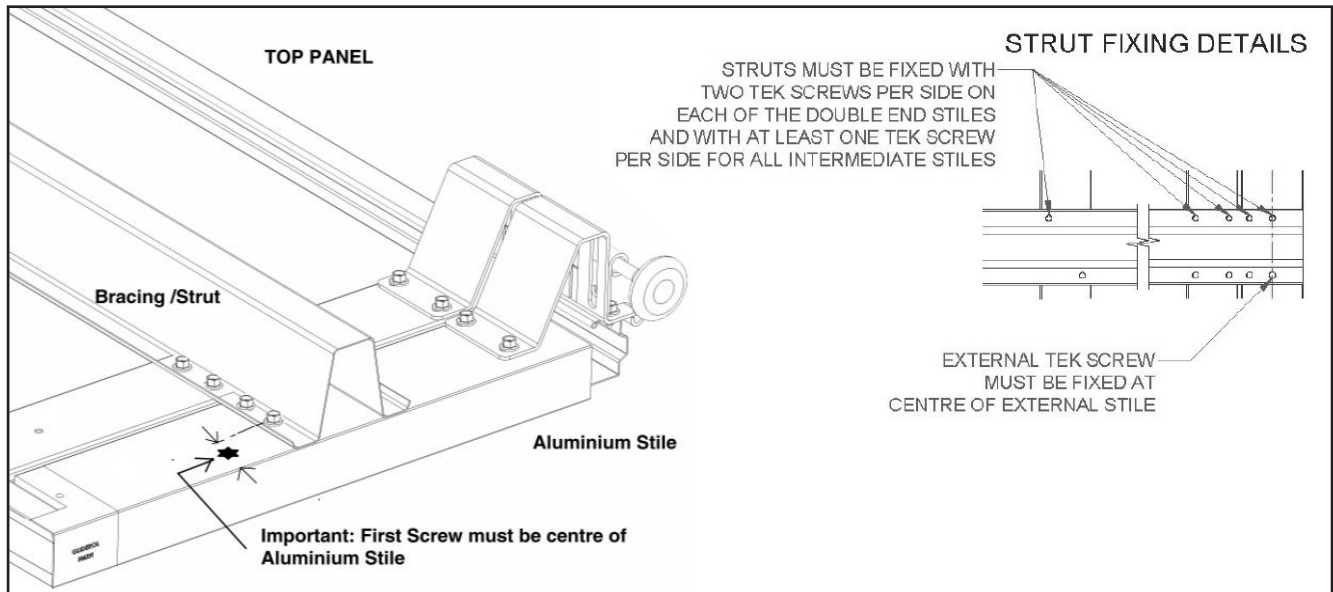
2.5 Attach Bracing/Struts

Doors above and equal to 4951mm will be provided with at least one Gliderol strut per panel which must be installed at the centre of each panel covering the entire door width. If the Strut is longer than the door width it must be cut to exact door width size (including the aluminium stile).

If your door is less than 4950mm wide and provided with two struts one must strut must be installed to TOP and BOTTOM panel at the centre. If your door is less than 4950mm wide and provided with one strut it must be installed to TOP panel at the centre.

Refer to Drawing GLI-C2SOH-002 for full fixing details.

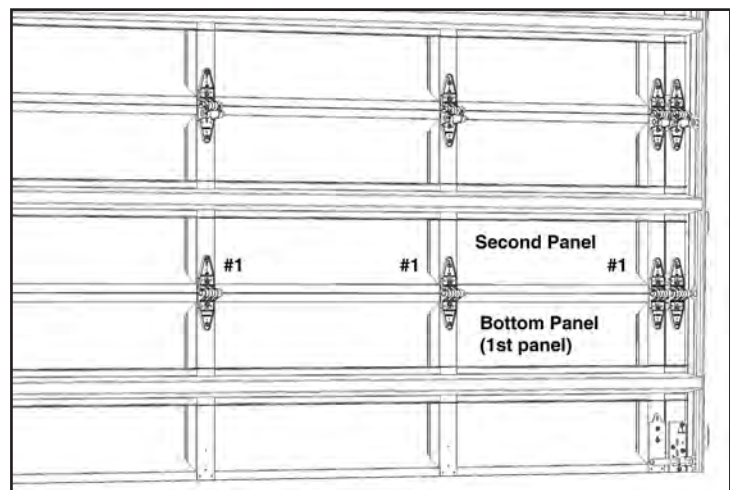
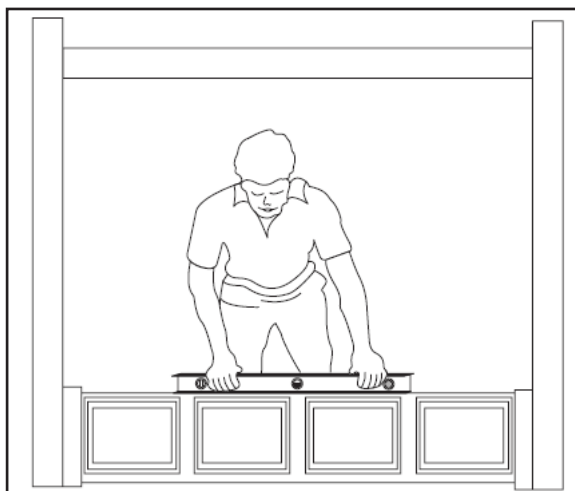
IMPORTANT: The first screw or the external screw must be secured at the centre of Aluminium stile to ensure it does not protrude through the wind lock area which might result in door jamming during operation.



2.6 Installing Panels

Slide the bottom panel into the vertical tracks and ensure the equal distance is maintained on both the sides and rollers are engaged in the track and move freely. Check that door panel is level by placing spirit level on top edge of door panel. If panel is not horizontally level it may be necessary to use suitable packer underneath door panel to achieve level. **Make sure vertical tracks are level.**

Lower the next door panel on top of the bottom panel and ensure the panel outer edges are flush with each other and roller is engaged in the vertical tracks properly. Fasten the hinges from the Bottom panel on to the Second panel using metal self drilling screws. Repeat this step for the next panels except the top panel.



2.6 Installing Panels cont...

Make sure front face of panels do not touch wall and have a minimum clearance of 3mm when closed.

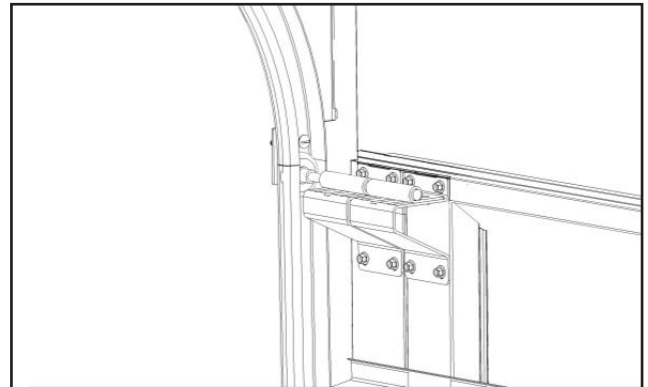
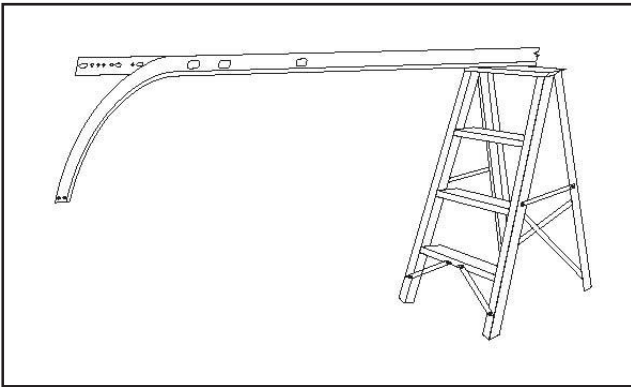
IMPORTANT- Do not force the track too tightly against the rollers as this will cause the door to bind when in operation.

Check that all door panels are level and make necessary adjustment with temporary packers. Once satisfied secure all wall mounted Jamb brackets to eliminate any further track movement.

2.6 Installing Horizontal Tracks

Loosen the slide on each top bracket enabling easy roller adjustment. Use a suitable support to hold the back of the horizontal track in position as illustrated below.

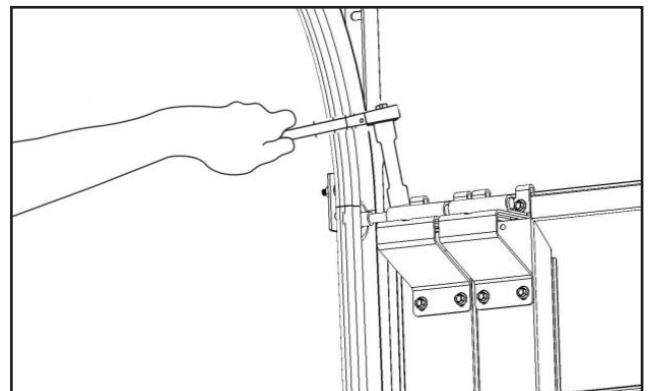
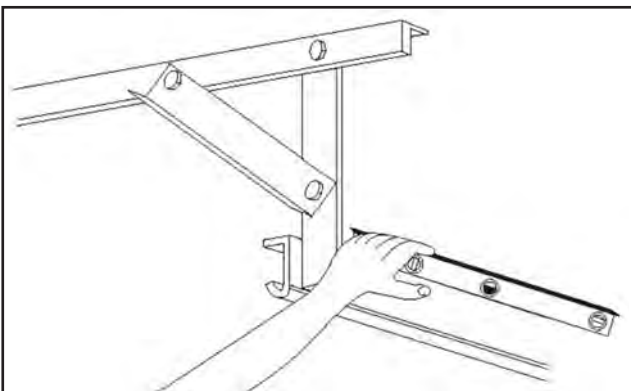
Attach the flag bracket to the curved section of the horizontal track using the 1/4' x 5/8' screws and nuts ensure that the screws are on the inside of the track. Attach the end of the horizontal angle to the top of the wall mounted flag bracket the 3/8' x 3/4' carriage bolt and nut. Make sure horizontal and vertical tracks are aligned when joined.



Lower the final door panel into the vertical tracks. Fasten the hinges to the bottom of this panel. That is in a four-panel door secure the hinges from the top of panel three to the bottom of panel four. This is done to prevent the top panel from falling out of the vertical track. Now Horizontal track can be installed.

Secure the rear of the horizontal track with the steel angle. Due to the variance in installation requirements within a garage these angles are not provided. The angle may be attached to return walls or the ceiling. Make sure that the track is level and square with the opening. Due to the fact that the horizontal tracks are weight bearing when the door is fully opened ensure that adequate fasteners are used into solid fixings. Repeat this step for the second horizontal track.

The sliding section on the top door panel bracket should be loose. Push the top of the door tightly against the opening and pull the roller towards yourself. Once satisfied that the roller is correctly positioned in the track then tighten the slide bracket. If an operator is to be installed. Tighten bracket to leave clearance between panel and lintel.



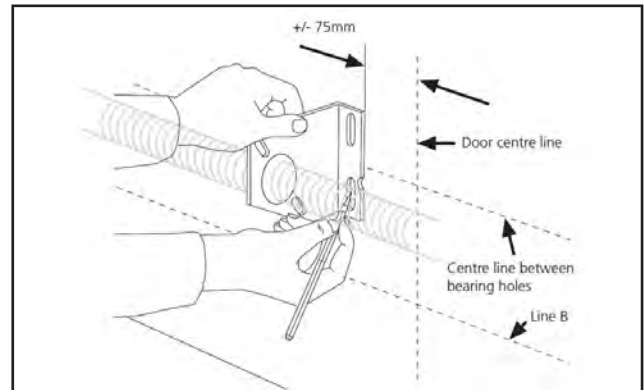
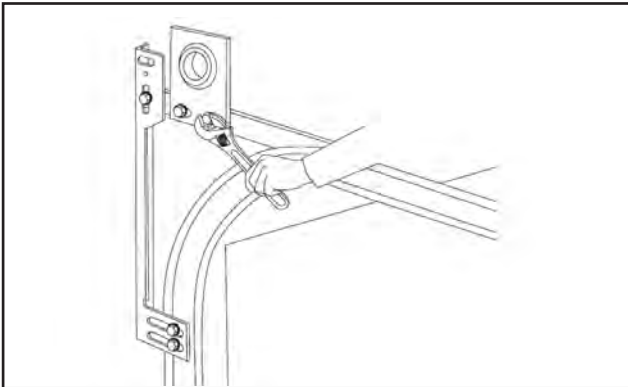
2.7 Torsion Spring Assembly

WARNING: Springs under tension may cause damage or injury if handled incorrectly and should only be attempted by a person with sound knowledge of springing mechanisms.

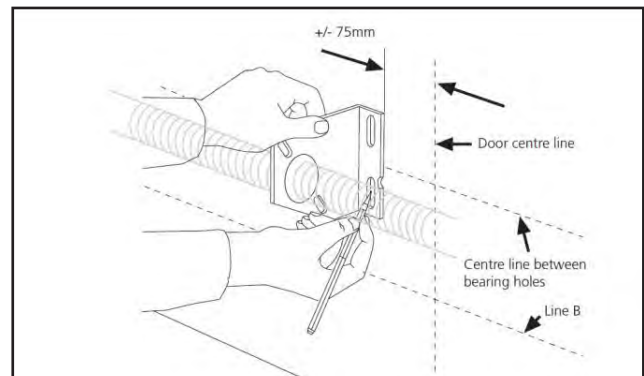
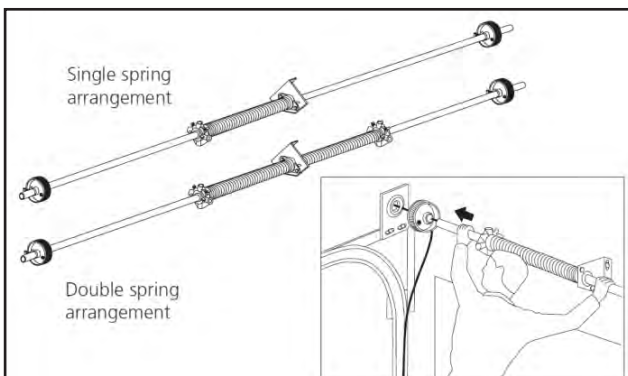
IMPORTANT: Door must always be in closed position when adjusting tension.

Attach the bearing plate to each horizontal angle on both tracks using carriage bolts and nuts.

Secure the spring anchor plugs to the centre bearing. Locate the left wound spring to the right side of the plate and the right wound spring to the left of the plate. If your door only requires one wound spring locate it to the left or right as detailed above. Slide the completed spring assembly over the shaft and slide into place the cable drums at each end. Ensure that the correct drums are on the right ends as marked.



Place the shaft assembly over the horizontal tracks and slide one end through the bearing plate with the greatest side clearance, then insert the opposite end into its bearing plate. Take hold of the spring bearing plate and raise it until the shaft is level. Position the bracket near the centre of the header so that the automatic opener can be fixed in the centre and securely fix to the wall.



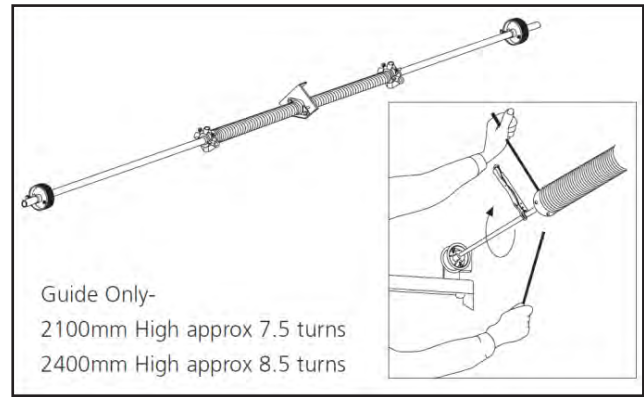
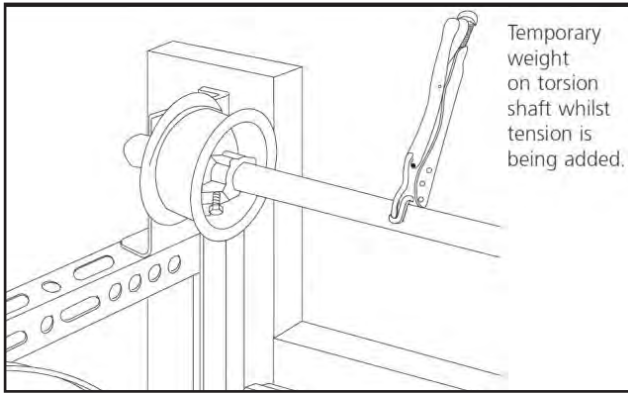
Pull the cables up in the space between the tracks and the door. Align the cable over the back of the cable drum and insert in the cable slot. Lay the cable over the highest outside groove of the drum. Both cables must be even.

Draw or texture a central horizontal line along the length of the springs. This line is used to easily identify the amount of tension you have put on the door each spiral reflects one turn of tension.

Springs must be tensioned in the direction they are wound.

Insert a winding bar into the hole of the spring block and wind 1/4 of a turn, now insert a second winding bar and continue turning repeat this process until desired tension is achieved (refer image, page 16).

2.7 Torsion Spring Assembly cont...



Once you have completed the desired number of turns secure the set screws on the spring block to the shaft. Remove the winding bars.

WARNING: Always ensure that your body and face are to the side of the winding bars.

Congratulations you have now successfully commissioned your Gliderol sectional overhead garage door.

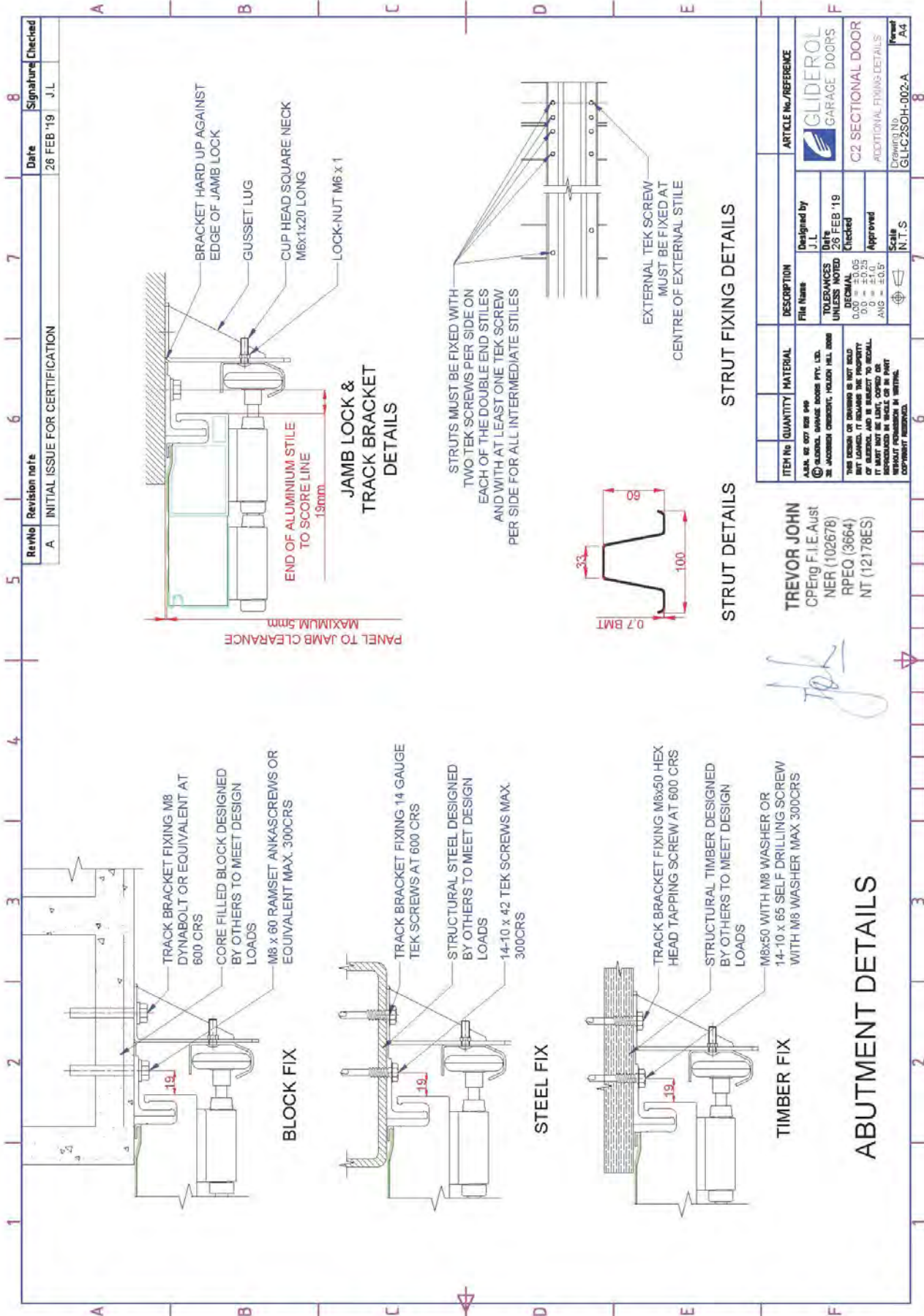
If installing an automatic operator, please refer to the Giderol Operator installation instructions provided.

Final Adjustments

- **IMPORTANT:** Door must always be in the closed position when adjusting the tension.
- Open and close door to check tension.
- If spring is over tensioned the door will not close fully (Remedy - reduce spring tension, 1/4 decrements advised).
- If spring is under tensioned door will be heavy to lift. (Remedy -increase spring tension, 1/4 increments advised).
- **NOTE:** Always ensure that torque is taken up on winding bar prior to releasing spring set screws.
- With the door in closed position loosen the track wall brackets and move vertical tracks to adjust clearance from the wall.
- Check all nuts and bolts for secure fastness.

NEVER PUT FINGERS BETWEEN PANELS WHEN CLOSING DOOR.

3.0 Certified Drawings cont...



4.0 Warranty

Manufacturers Product Warranties Statement

Our goods come with guarantees that cannot be excluded under the Australian Consumer Law. You are entitled to a replacement or refund for a major failure and for compensation for any other reasonably foreseeable loss or damage. You are also entitled to have the goods repaired or replaced if the goods fail to be of acceptable quality and the failure does not amount to a major failure.

In addition, we offer our Gliderol Warranty as set out below. The benefits given to you by our Gliderol Warranty are in addition to other rights and remedies you may have under the Australian Consumer Law. Our Gliderol Warranty does not exclude, restrict or modify any such statutory rights or remedies which cannot be excluded.

For products sold and installed by Gliderol, the Gliderol Warranty extends to cover defects of manufacture and costs of delivery and/or re-installation of any product repaired or replaced under the terms of the Gliderol Warranty. In all other circumstances, where the products are supplied by a third party, the Gliderol Warranty covers defects of manufacture only and does not include costs of reinstallation or delivery.

This is not intended to exclude, restrict or modify any right or remedy to which you may otherwise be entitled in respect of delivery or re-installation under the Australian Consumer Law.

Schedule of Warranty Period for Individual Components

Our Gliderol Warranty applies for the periods (the Applicable Warranty Period) stated as follows:

Gliderol Storm-Safe Residential Sectional Overhead Garage Door - C2 Version

Domestic/Residential use – 3 years corrosion free (not within 800 metres of a high salt concentration) on door curtain, excludes paint surface rubbing or fading. 3 month warranty on spring tension. 1 year on all components, labour & workmanship, if fitted by an authorised Gliderol Distributor or Gliderol Technician.

Industrial/Commercial use – 3 years corrosion free (not within 800 metres of a high salt concentration) on door curtain, excludes paint surface rubbing or fading. 1 year on all components, labour & workmanship, if fitted by an authorised Gliderol Distributor or Gliderol Technician. 3 month warranty on spring tension. 1 year on parts only, if fitted by parties other than an authorised Gliderol Distributor or Gliderol Technician. 1 year only if a Non Glidermatic operator is fitted to the door.

Gliderol strongly recommends that the Gliderol Residential Sectional Overhead Garage Door be serviced by an authorised Gliderol Distributor or Gliderol Technician every 24 months to ensure longevity of the products life.

Product Warranty Conditions

1. Subject to the following specific limitations and exceptions, and in addition to all rights and remedies to which you may be entitled under the Australian Consumer Law, Gliderol warrants all new doors, motors and electronic components of Gliderol's manufacture, sold and installed by Gliderol, to be free from defect in workmanship under normal use and service for the Applicable Warranty Period prescribed above.

2. During the Applicable Warranty Period, Gliderol will make good any defect as described in clause 1 above by repairing or replacing the affected product or part (at its option) PROVIDED THAT notice of any claimed defect in materials or workmanship in or resulting from installation of any door shall have been given to Gliderol within the period from date of installation as prescribed above.

3. For products sold through or installed by an authorised Gliderol Distributor or other party (other than an accredited Installer Contractor nominated by Gliderol), our Gliderol Warranty covers only defects of manufacture and does not include:-

- Any defects caused by or related to the installation of that product, nor
- The cost of delivering or re-installing a product that is repaired or replaced.

This limitation does not exclude, restrict or modify any right or remedy to which you may otherwise be entitled in respect of delivery or re-installation under the Australian Consumer Law or other applicable laws, which may not be excluded.

4. Our Gliderol Warranty does not apply to any defect, loss or damage arising or caused directly or indirectly by or as a result of:-

- (i) Any masonry rendered or other surfaces cracking or collapsing during installation of the door
- (ii) Any defect or deterioration of timber including drying out after installation
- (iii) Any weakening or collapse of the structure to which the doors are affixed occurring any time after installation
- (iv) Any damage to or deterioration in the condition of the doors occurring in transit by customer nominated or appointed carrier or occurring after delivery and prior to installation
- (v) Any defect (including defects in component parts or accessories) rising from or attributable to the failure to carry out normal preventive maintenance or adjustment
- (vi) To any additional defect damage or deterioration arising from or attributable to the operation of the door after it is known to be defective
- (vii) Any door being installed within 800 metres of the sea or other body of water of equivalent or greater salt concentration or in an area subject to industrial fall out Any automatic units exposed to moisture.
- (viii) Any fault or surge in customer's electricity supply
- (ix) The door striking an immovable object during travel

Warranty Form

Name

Address

Product Type

Installation Date

Supplier (Distributor)

Installer

Phone No

Address

Installer Signature

NOTE: THIS FORM MUST BE COMPLETED BY THE INSTALLER AND PRODUCED AS PROOF OF PURCHASE DATE WHEN MAKING A SERVICE CALL UNDER WARRANTY, OTHERWISE CALLS ARE LIABLE TO SERVICE CHARGES.

FOR SALES & SERVICE CONTACT GLIDEROL INTERNATIONAL PTY LTD (ABN 92 007 928 949)

Head Office

Gliderol Garage Doors
32 Jacobsen Crescent, Holden Hill SA 5088
Phone (08) 8360 0000

New South Wales

Gliderol Garage Doors
45 Sammut Street, Smithfield NSW 2164
Phone (02) 9725 1033

Victoria

Gliderol Garage Doors
94-98 Micro Circuit, Dandenong South VIC 3175
Phone (03) 8788 8100

Queensland

Gliderol Garage Doors
20 Randle Road, Pinkenba QLD 4008
Phone (07) 3260 9000

OR YOUR LOCAL SUPPLIER: