



Glidermatic GRD+

Heavy Duty Automatic Roller Door Operator



Installation Instructions and **Glidermatic GRD+** Owners Manual

Glidermatic GRD+ Heavy Duty Automatic Roller Door Operator

IMPORTANT SAFETY INFORMATION - PLEASE READ CAREFULLY

SAFETY INSTRUCTIONS

WARNING! :-To reduce the risk of severe injury or death

- Never let children operate or play with the doors controls
- Keep the remote control away from children
- Always keep the moving door in sight and away from people and objects until it is completely closed.

NO ONE SHOULD CROSS A MOVING DOOR.

- Do not disengage the door opener to manual operation with children / persons or any other object including motor vehicles within the doorway.
- The Garage door must be well balanced. Sticking or binding doors can falsely trigger the obstruction sensing of the Glidermatic GRD+ Unit.
- **All maintenance should be carried out by suitably qualified personnel.**
- Test the door opener monthly. The garage door **MUST** reverse on contact with a 40mm high rigid object on the floor. The amount of force the door should encounter is adjustable. Failure to adjust the opener properly may cause severe injury or death.
- The Glidermatic GRD+ Operator has an electronic obstruction system that provides **safe** and reliable operation. It is however a legal requirement in some countries to also install a Photo-electric sensor across the door way, please check this requirement with your local distributor.

Glidermatic GRD+ Drive Assembly (Exploded View)

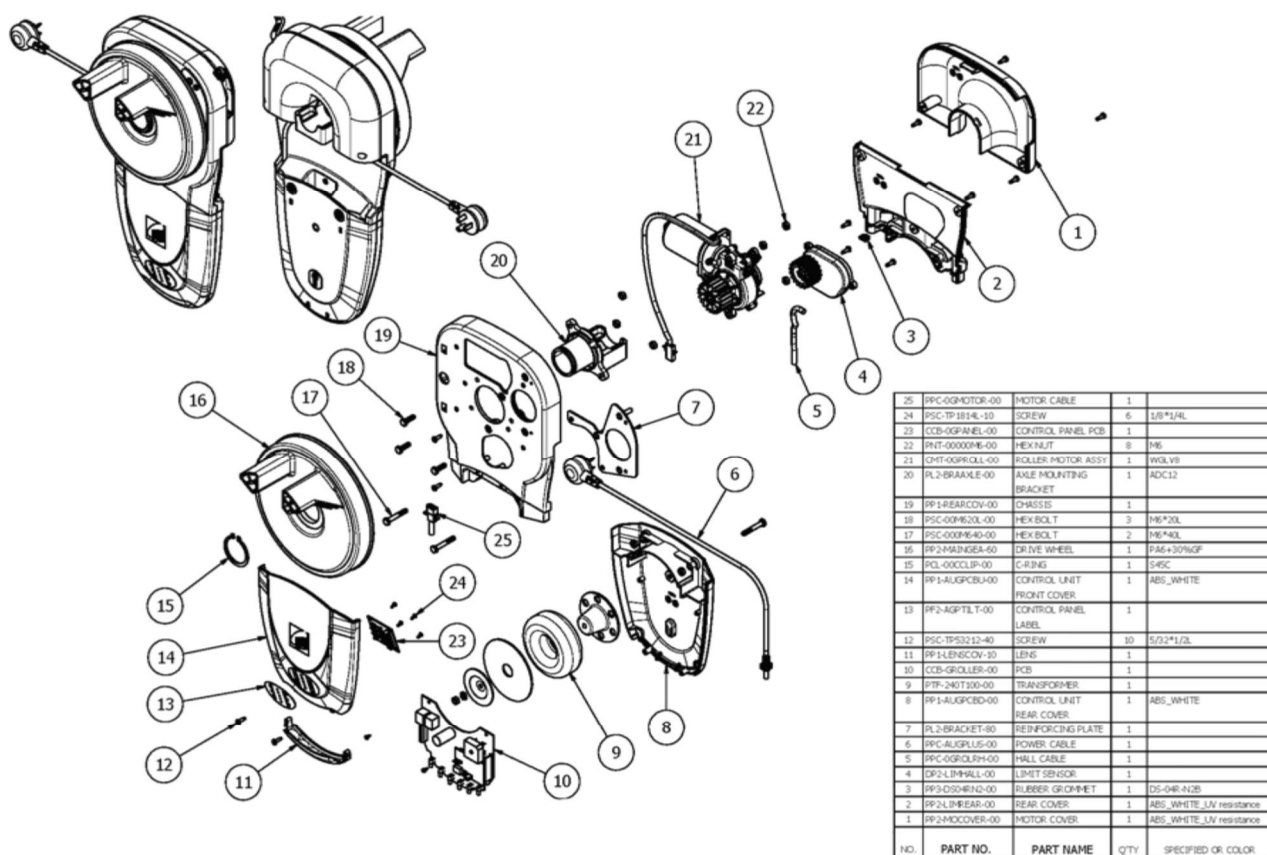


Fig: 1

Installation Instructions

The **GRD+** unit may be retrofitted to any roller doors including non Gliderol doors and also it does not require any disassembly of the door during installation.

The **GRD+** unit may be retrofitted to either side of a roller door. Selection of the desired side may be determined by the available room, location of power and general installation.

In some circumstances the wall bracket may need to be relocated if the distance between the side edge of the bracket and face of the drum wheel is greater than 130mm or less than 70mm (110mm for Gliderol doors drumwheel recessed at 75mm from edge of curtain).

Furthermore the face of the drum wheel should not be recessed more than 75mm from the edge of the curtain.

The door must be in good working conditions, adjustments to spring tension may be required.

These instructions are to be read in conjunction with Roller Door Installation instructions.

Please note:-

THE FOLLOWING INSTRUCTIONS FOR FIXING OF THE DRIVE UNIT ASSEMBLY TO THE DOOR ARE FOR A RIGHT HAND INSTALLATION. (Refer to Fig 1-8).

- a) Check the door U-bolt is securely tightened on the LEFT hand side of the door.
- b) Raise the door and tie a rope around the centre to secure the roll.

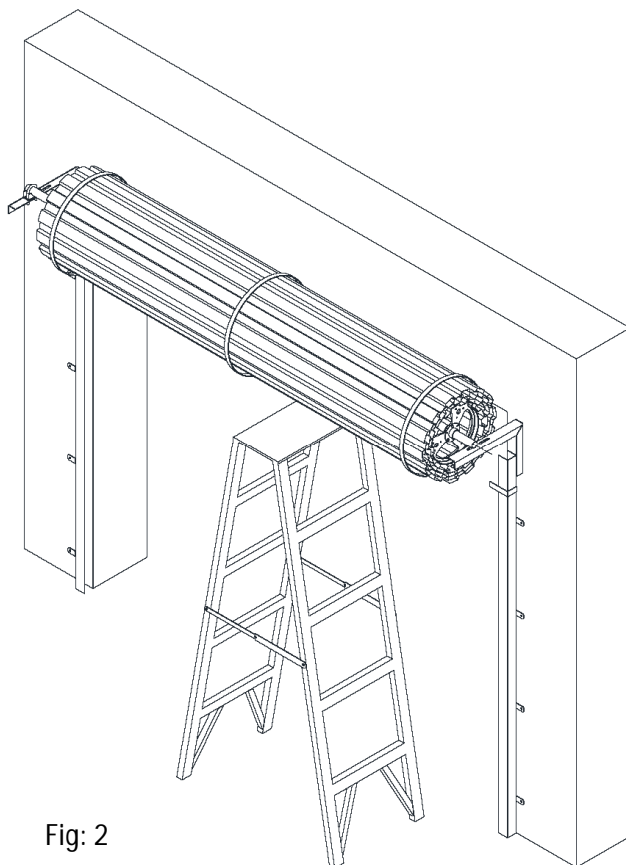


Fig: 2

- c) Support the right hand end of the door with a suitable prop, e.g. step ladder and soft padding to protect the door surface (Fig. 2)

STOP WARNING: DO NOT ALLOW CHILDREN/PEOPLE AROUND THE DOOR WHEN PROPPED. SERIOUS PERSONAL INJURY AND/OR PROPERTY DAMAGE CAN RESULT FROM FAILURE TO FOLLOW THIS WARNING.

- d) Carefully loosen and remove the right hand spindle 'U' bolt
- e) Make sure the door supporting prop is secure. While the door is supported remove the right hand wall mount bracket. (Fig. 3)
- f) Slide the GRD drive unit on to the spindle of the door.

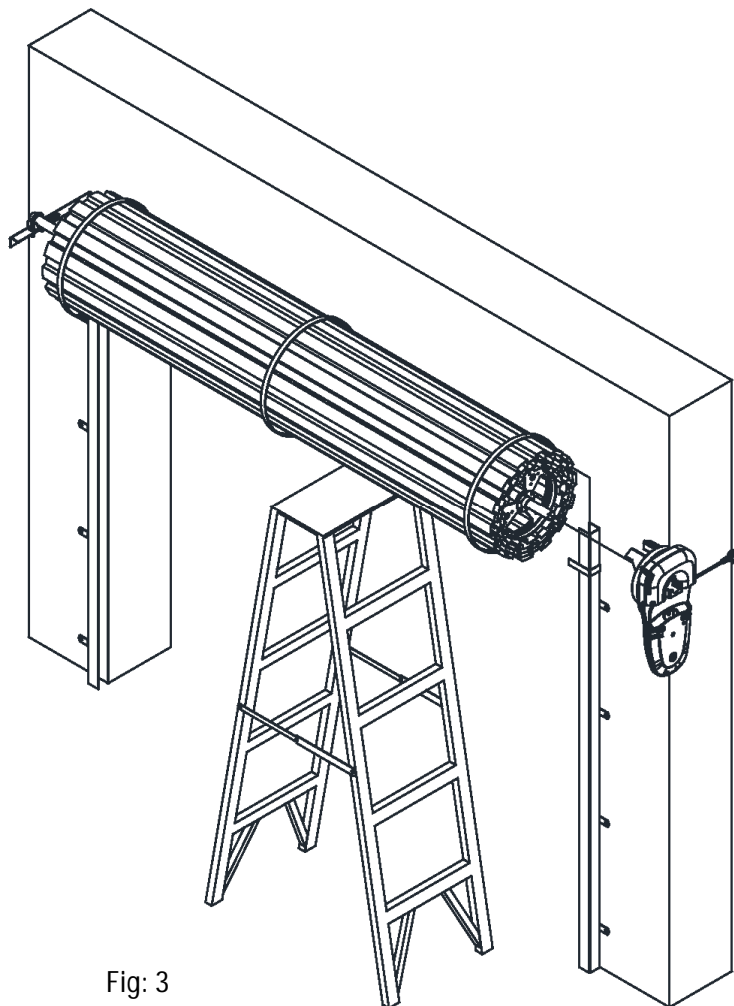


Fig: 3

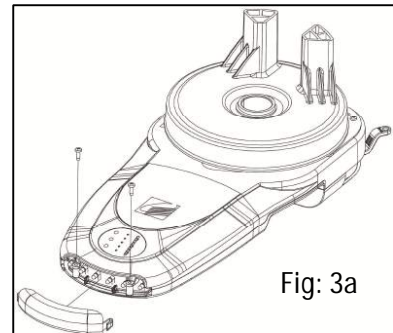
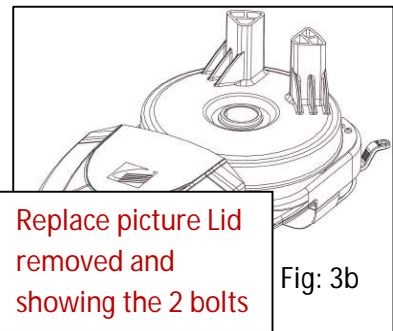
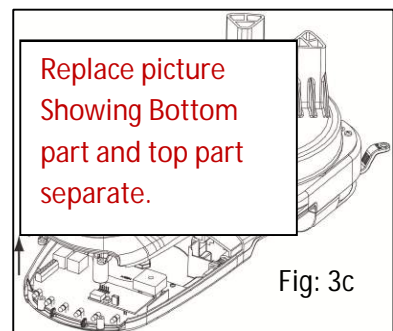


Fig: 3a



Replace picture Lid removed and showing the 2 bolts

Fig: 3b



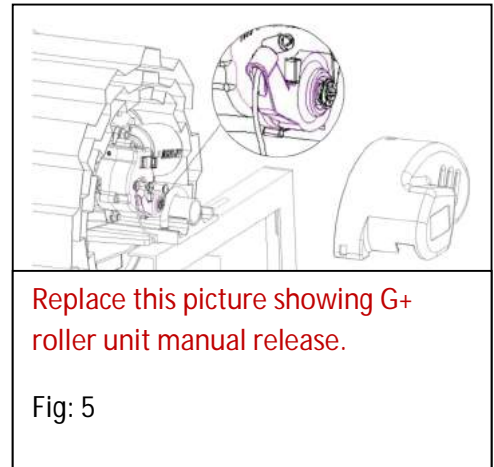
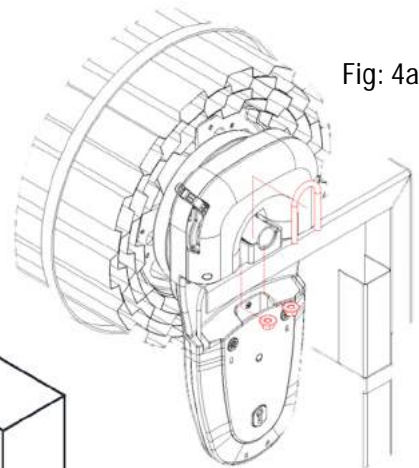
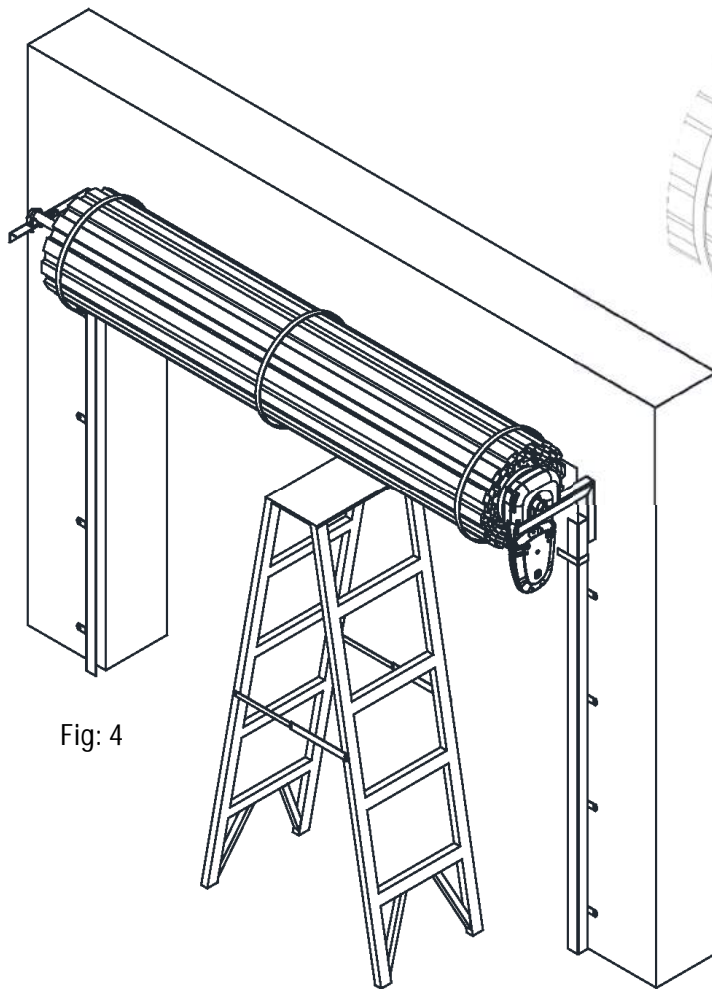
Replace picture Showing Bottom part and top part separate.

Fig: 3c

- g) Locate the engaging fork on the drive unit with drum wheel spoke. Please ensure the unit forks are fully engaged into the spoke of the drum wheel.

Note: In the event of very tight side-room where the unit can't be slide through the bottom control unit of the GRD+ operator can be separated and fit back again upon completion of installation. To separate the Control unit remove the light lens cover and undo the two screws and lift the control unit cover (fig: 3a) and now you can access the two bolts and unscrew them to separate the control unit(fig: 3b). Undo the motor connection wires and hall IC cable from the circuit board. The control unit can also be mounted on the wall in which case a motor wire extension loom is required.

h) Replace right hand side wall mount bracket (Fig 4)



- i) Carefully remove the support from the door and rest spindle on the wall mount bracket
- j) Locate the Drive unit on the bracket and fit 'U' bolt provided in the fitting kit. Tighten the 'U' bolt with two nuts provided (Fig 4a).
- k) Fit Anti coning collar to the opposite end of the door to avoid sideways movement of the drum wheel.

Alternate Method: On smaller size doors the GRD+ unit may be installed without removing and replacing the bracket. After step (d) carefully lift the roller door from the bracket enabling GRD drive unit to slide on to the spindle of the door. Ensuring the unit's fork is properly engaged with the spoke of drum wheel carefully rest the door on the spindle and follow consecutive steps from (j)

- l) Insert manual release cable into the manual release lever in the motor and secure it by tightening the lock screw. (Fig 5)

Note: If bracket is in the way of the manual release cable, a small hole may be drilled on the bracket and manual release cable may be fitted by passing it through the bracket hole and then into the manual release lever and secured by lock screw.

- m) Locate the weight bar on the centre of the bottom rail and drill two locating holes through the holes on the weight bar into the bottom rail. Secure the weight bar with two bolts provided. (Fig 6)

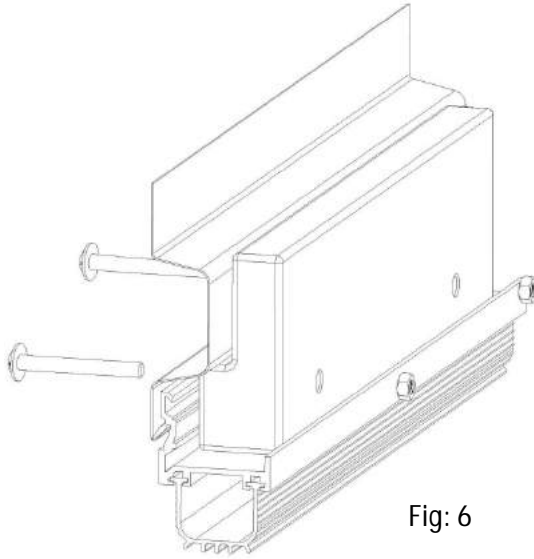


Fig: 6

IMPORTANT: Security rivet / tek screw must always be applied to inner side of drum wheel as shown in Fig: 7a. Failure to do so may result in internal damage to the GRD drive unit.

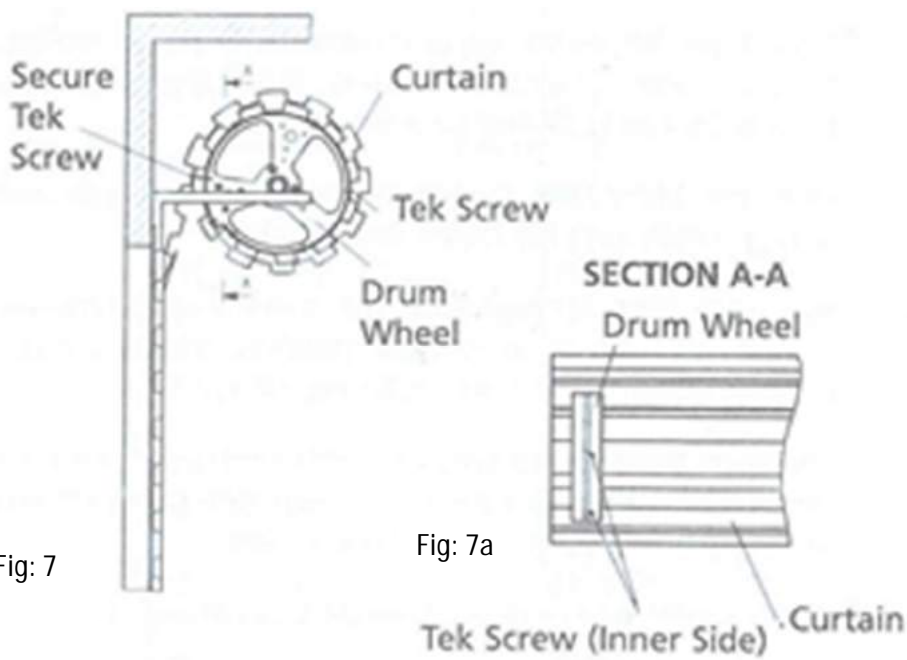
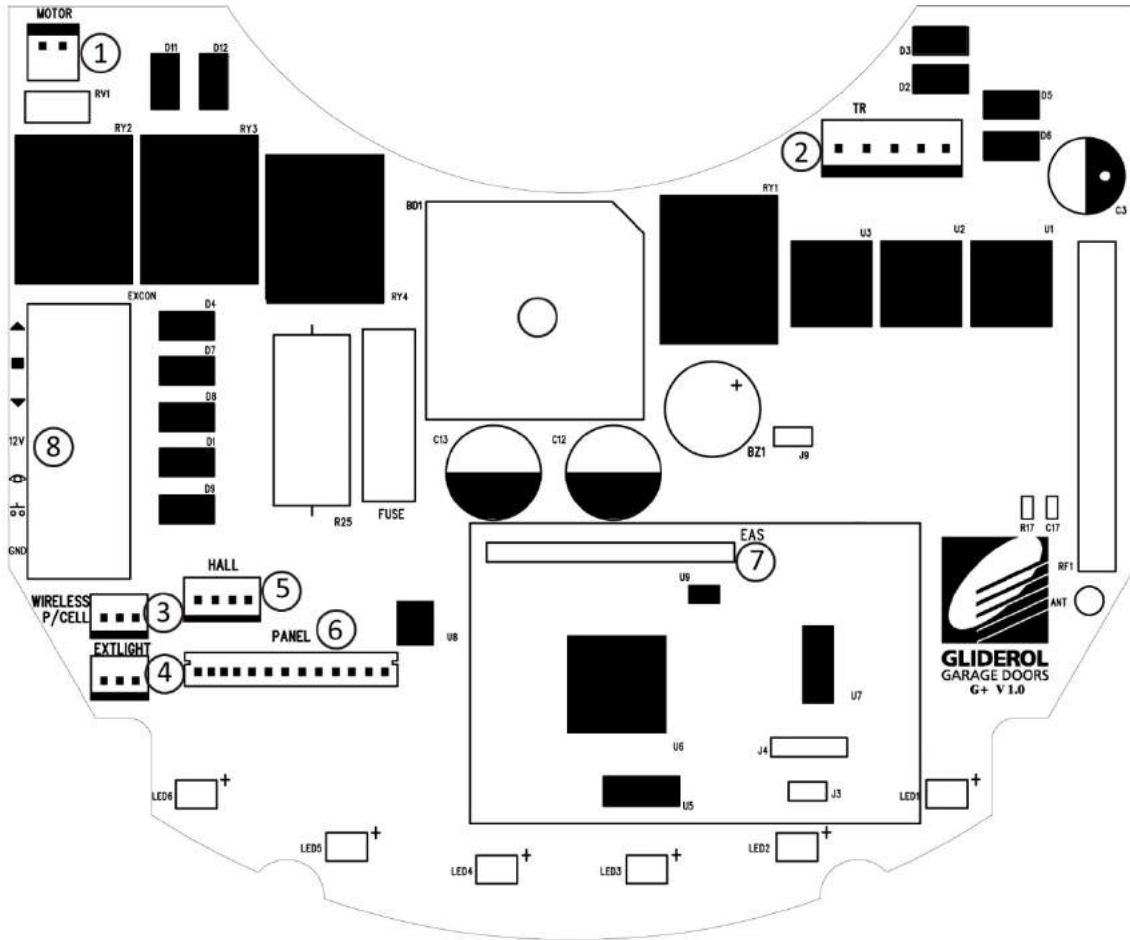


Fig: 7

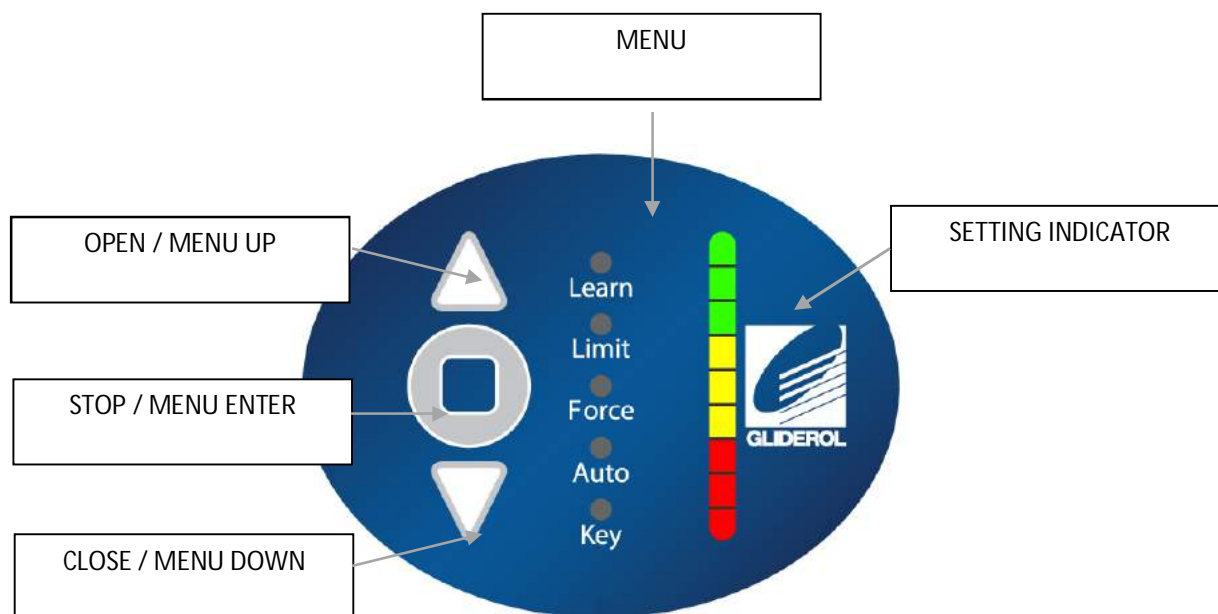
Fig: 7a

PCB Index



1	Motor Connector	5	Hall Connector
2	Transformer Connector	6	Control Panel Connector
3	Wireless Photocell Connector	7	EAS Receiver Connector
4	External Light Connector	8	External I/O Terminal

User Interface



Transmitter Coding – By Controller

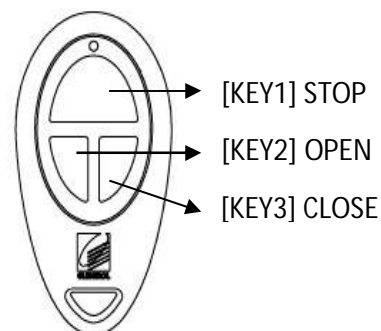
1. Press and hold [ENTER] for 2 seconds to enter menu selection
2. Using [UP] and [DOWN] to select Learn option, and press [ENTER]



3. While the [INDICATOR] is lit, press the desired operation key on transmitter
4. A beep will signal for successful coding. Two beeps signal for a transmitter already in memory
5. Unit will automatically exit the setup after 3 seconds

Transmitter Coding – By Transmitter

1. Using an already programmed transmitter, press and hold OPEN & STOP keys simultaneously for 2 seconds
2. Unit will beep three times to signal for Learn Mode
3. Press the desired operation key on the new transmitter
4. A beep will signal for successful coding. Two beeps signal for a transmitter already in memory
5. Unit will automatically exit the setup after 3 seconds



Transmitter Key Setting

1. Press and hold [ENTER] for 2 seconds to enter menu selection
2. Using [UP] and [DOWN] to select Key option, and press [ENTER]
3. [INDICATOR] will lit to show current key configuration
4. Using [UP] and [DOWN], select the desire transmitter key setting from the below options

Single Button Configuration: Any one of the three buttons in the transmitter can be used to control all three functions Stop/Open/Close. Useful when one transmitter can operate more than one door and a maximum of three doors.



Three Button Configuration: Each buttons in the transmitter can be used to control individual functions like functions Stop/Open/Close of eth same door.



5. Press [ENTER] to confirm selection, and a beep will signal for successful setup.

Transmitter Code Erase

1. Press and hold [ENTER] for 2 seconds to enter menu selection
2. Using [UP] and [DOWN] to select Learn option
3. To erase all transmitter code in memory, press and hold [ENTER] for 5 seconds
4. When [INDICATOR] diminishes, all codes have been erased

Limit Setting – By Controller

1. Press and hold [ENTER] for 2 seconds to enter menu selection
2. Using [UP] and [DOWN] to select Limit option
3. To initiate door limit setting, and press [ENTER]
4. [INDICATOR] will lit to show current drive handing
5. Using [UP] and [DOWN], select the desire drive handing



Left Hand Drive

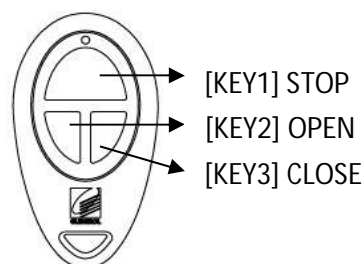


Right Hand Drive

6. Press [ENTER] to confirm selection, and door will begin to close to find floor position. Upon reaching the floor, the unit will beep 3 times to confirm.
7. Proceed to setup the TOP limit, by using transmitter's OPEN & CLOSE keys, and confirm TOP limit position by pressing STOP key
8. Then set the BOTTOM limit, also by using transmitter's OPEN & CLOSE keys, and confirm BOTTOM limit position by pressing STOP key
9. Once limits are set, the unit will automatically perform a full calibration cycle
10. When the door is closed after calibration, the limits are successfully setup

Limit Resetting – By Transmitter

1. Using an already programmed transmitter, press and hold OPEN & CLOSE keys simultaneously for 10 seconds
2. Door will begin to close to find floor position, and upon reaching the floor, the unit will beep 3 times to confirm.
3. Proceed to setup the TOP limit, by using transmitter's OPEN & CLOSE keys, and confirm TOP limit position by pressing STOP key
4. Then set the BOTTOM limit, also by using transmitter's OPEN & CLOSE keys, and confirm BOTTOM limit position by pressing STOP key
5. Once limits are set, the unit will automatically perform a full calibration cycle
6. When the door is closed after calibration, the limits are successfully setup



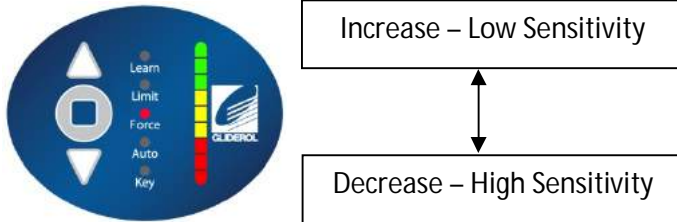
Important Note: In the event of power failure and power resumed or GRD+ unit switched OFF and switched back ON or Manual release chord operated, the GRD+ operator will perform an "AUTO LIMIT RESET CYCLE" by which the door will only CLOSE upon pressing the remote button / CLOSE button on control panel to find the floor (OPEN function is disabled until the limit reset cycle is completed. From the next cycle the door travel limits are restored and door will operate as normal.

Force Setting

1. Press and hold [ENTER] for 2 seconds to enter menu selection
2. Using [UP] and [DOWN] to select Force option, and press [ENTER]
3. [INDICATOR] will lit to show current force configuration



4. Using [UP] and [DOWN], to adjust the force in the below manner



6. Press [ENTER] to confirm selection, and a beep will signal for successful setup.

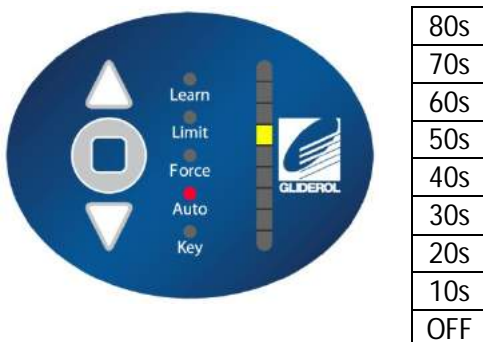
Automatic Closing Setting

1. Press and hold [ENTER] for 2 seconds to enter menu selection
2. Using [UP] and [DOWN] to select Auto option, and press [ENTER]
3. [INDICATOR] will lit to show current configuration



Note: If Auto Close is enabled it is important to fit an auxiliary safety device like Photo beams to avoid human entrapment or door accidently hitting any object.

4. Using [UP] and [DOWN], to adjust the automatic closing setting in the below manner



80s
70s
60s
50s
40s
30s
20s
10s
OFF

Above shows a setting for 50s automatic closing

5. Press [ENTER] to confirm selection, and a beep will signal for successful setup.

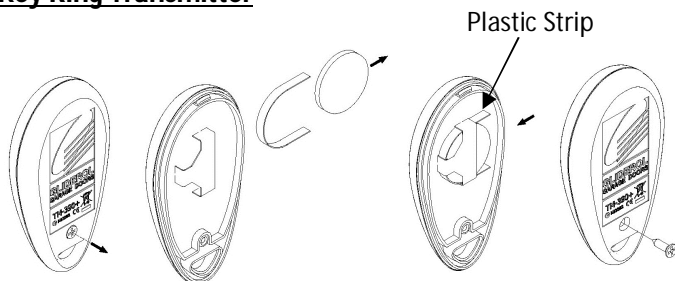
LED Control

Under 3 Keys transmitter mode, the LED can be switched on and off using the STOP key. This will also output to the EXTLIGHT terminal on-board.

Vacation Mode

Transmitter signal can be locked out by pressing STOP & CLOSE keys simultaneously and holding it for 3 seconds on the transmitter. To deactivate, press the same keys again and hold it for 3 seconds.

Key Ring Transmitter

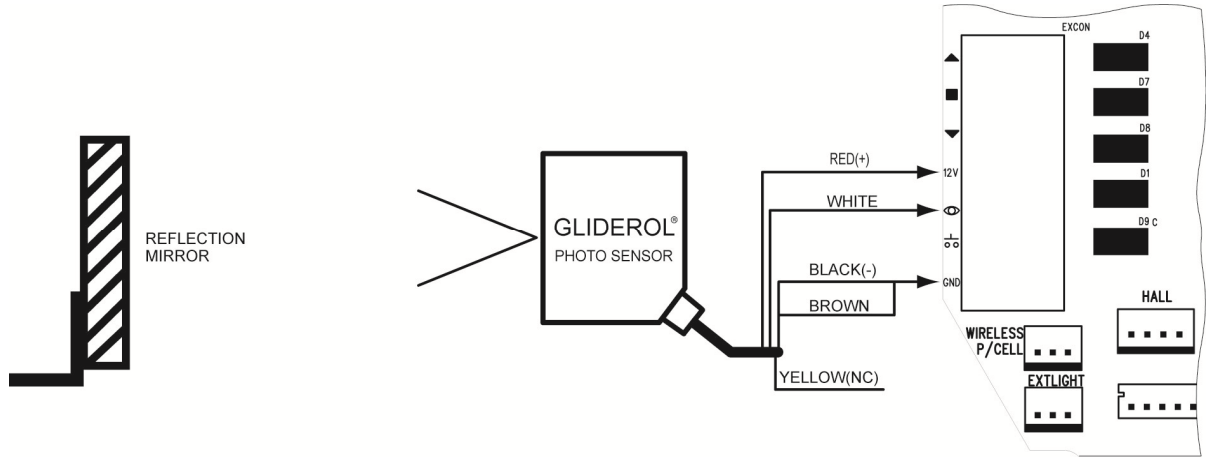


Battery Type 3V CR2016x2 (Lithium Cell)

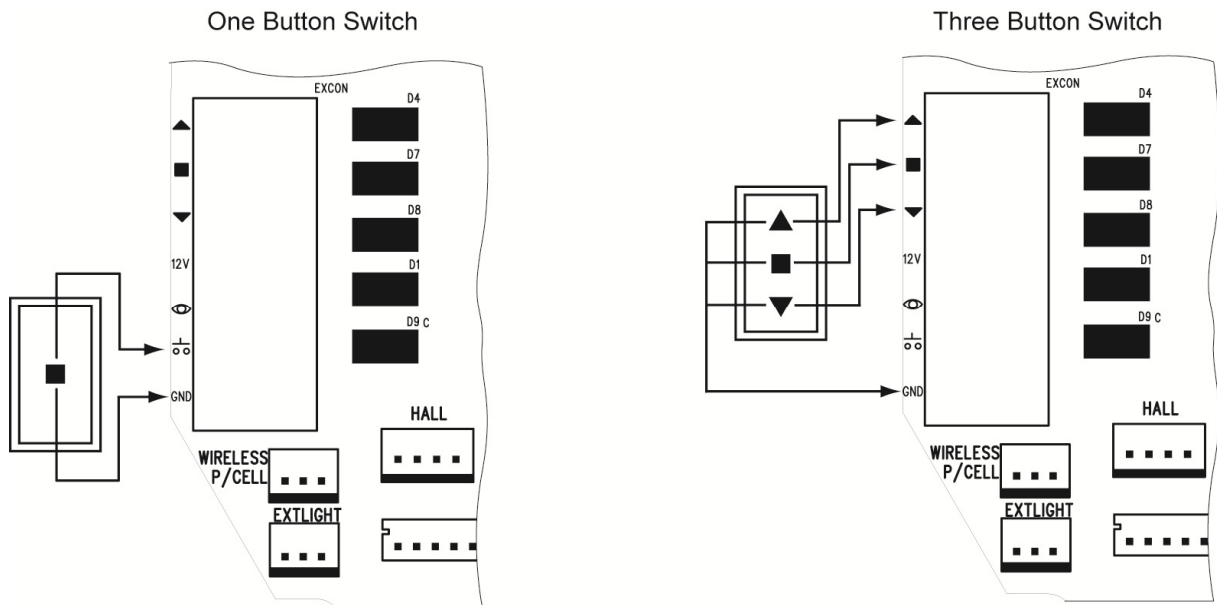
To replace batteries:

1. Remove the screw on the back case.
2. Replace the old batteries with new ones (3V CR2016x2) and ensure plastic strip remain intact in clip.
3. Locate back of case and secure with screw.

Photo Sensor Connection Diagram

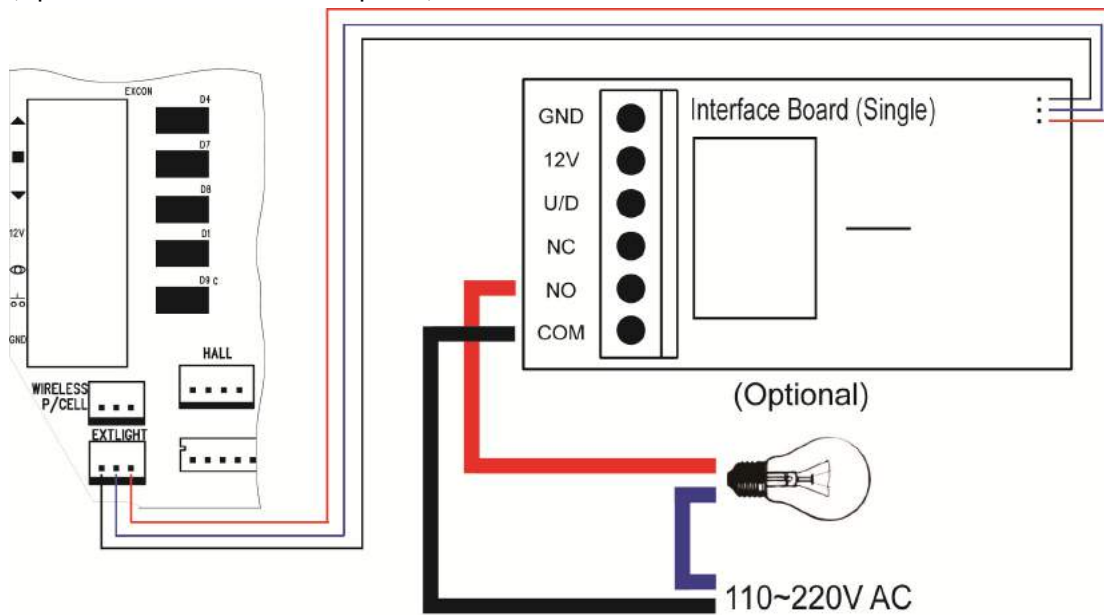


External Wall Switch Connection Diagram



External Light Connection Diagram

(Optional Interface Board Required)

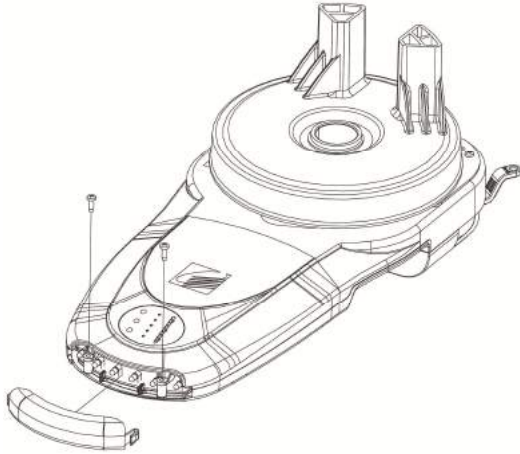


Technical Specifications

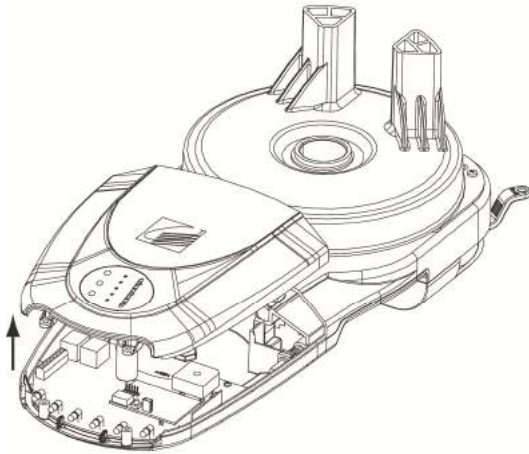
CHARACTERISTICS	SYMBOL	MIN.	TYP.	MAX.	UNIT
Input Voltage		218	240	262	VAC
System Power Dissipation			100		W
Transformer Power			100		VA
Transformer Output Voltage	TR	21.6	24	26.4	VAC
Work Voltage of Motor	MOTOR	18	24	34	VDC
Lamp Power	LED1~LED6			0.36	W
Buzzer Voltage	BZ1		12		VDC
Fuse	FUSE		15		A
Carrier Frequency Range	Handset	389.9	390	390.1	MHz
Modulation	Handset		AM		
Deviation	Handset	100		100	KHz
RF Output Power	Handset			8	uW
Transmitter Battery	Handset		6		VDC
Demodulation Mode	RF1		AM		
Receiver Sensitivity	RF1	-90		-100	dB
Date Rate	RF1		1K		Hz
Operation Temperature		-20	25	85	°C
Output Voltage in circuit board terminal (0.5 amps Max)			12		V

Plug-in EAS Receiver (Optional)

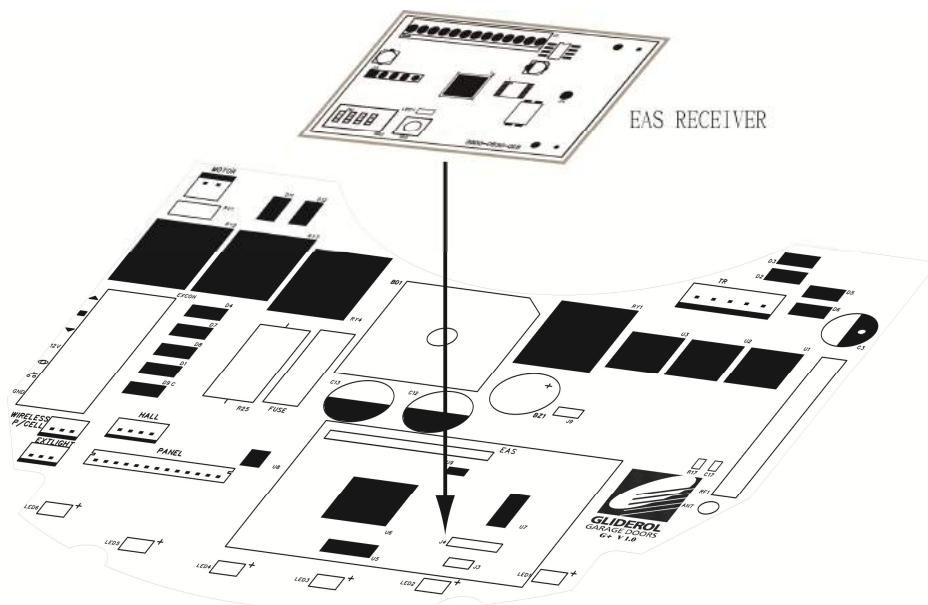
1. Remove the LED lens and two screws



2. Lift up the control panel cover to find the PC board

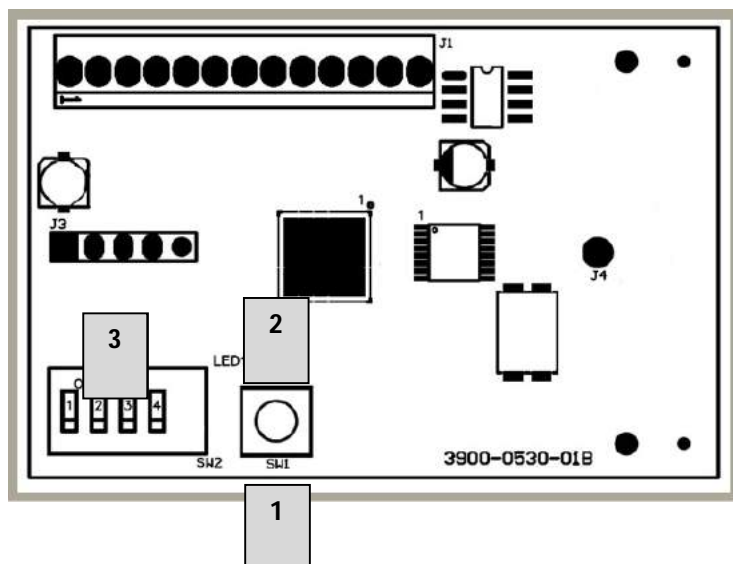


3. Plug the EAS receiver into the EAS receiver sockets properly



4. Replace control panel cover and LED lens with screws

EAS Receiver Index



GHI Transmitter Coding

1. Press and hold [1] SW1, until [2] LED blinks twice
2. Press buttons 4&5 simultaneously on the GHI transmitter to code
3. [2] LED will blink twice to confirm successful programming

GHI Transmitter Code Erase

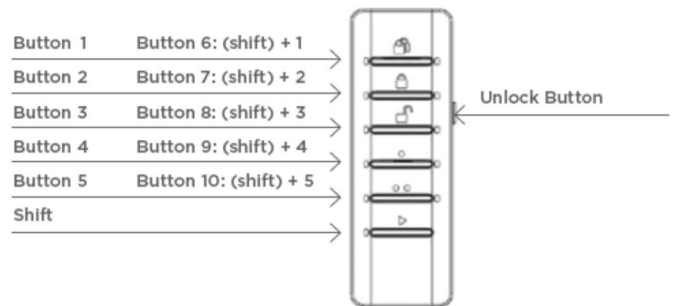
1. Press and hold [1] SW1 continuously, until [2] LED blinks and goes out finally
2. After [2] LED goes out, all codes have been erased

GHI Transmitter Key Setting

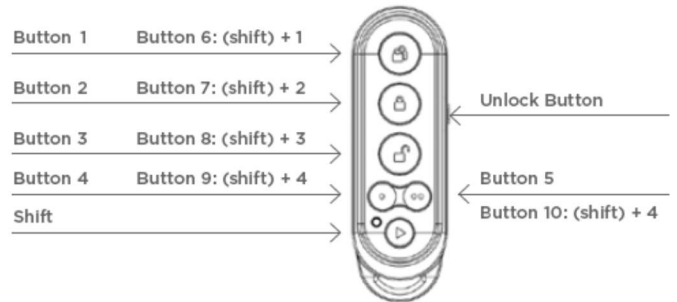
GHI transmitter operation key can be set using [3] SW2, by referring to the below dip switch configuration table

Dip Switch				Key
1	2	3	4	
ON	OFF	OFF	OFF	Button 1
OFF	ON	OFF	OFF	Button 2
ON	ON	OFF	OFF	Button 3
OFF	OFF	ON	OFF	Button 4
ON	OFF	ON	OFF	Button 5
OFF	ON	ON	OFF	Shift + Button 1
ON	ON	ON	OFF	Shift + Button 2
OFF	OFF	OFF	ON	Shift + Button 3
ON	OFF	OFF	ON	Shift + Button 4
OFF	ON	OFF	ON	Shift + Button 5

Premium G+ Key



Basic G+ Key



The Glidermatic brand and its complete product range is wholly owned and operated by Gliderol Garage Doors.

Manufacturers Product Warranties Statement

Our goods come with guarantees that cannot be excluded under the Australian Consumer Law. You are entitled to a replacement or refund for a major failure and for compensation for any other reasonably foreseeable loss or damage. You are also entitled to have the goods repaired or replaced if the goods fail to be of acceptable quality and the failure does not amount to a major failure.

In addition, we offer our Gliderol Warranty as set out below. The benefits given to you by our Gliderol Warranty are in addition to other rights and remedies you may have under the Australian Consumer Law. Our Gliderol Warranty does not exclude, restrict or modify any such statutory rights or remedies which cannot be excluded.

For products sold and installed by Gliderol, the Gliderol Warranty extends to cover defects of manufacture and costs of delivery and/or re-installation of any product repaired or replaced under the terms of the Gliderol Warranty. In all other circumstances, where the products are supplied by a third party, the Gliderol Warranty covers defects of manufacture only and does not include costs of reinstallation or delivery.

This is not intended to exclude, restrict or modify any right or remedy to which you may otherwise be entitled in respect of delivery or re-installation under the Australian Consumer Law.

Schedule of Warranty Period for Individual Components

Our Gliderol Warranty applies for the periods (the Applicable Warranty Period) stated as follows:

Gliderol Residential A, AA & B Series Roller Door

Domestic/Residential use – 7 years corrosion free (not within 800metre of a high salt concentration) on door curtain, excludes paint surface rubbing or fading. 3 month warranty on spring tension.

1 year on all components, labour & workmanship, if fitted by an authorised Gliderol Distributor or Gliderol Technician.

Industrial/Commercial use – 1 year on all components, labour & workmanship, if fitted by an authorised Gliderol Distributor or Gliderol Technician.

3 month warranty on spring tension.

1 year on parts only, if fitted by parties other than an authorised Gliderol Distributor or Gliderol Technician.

1 year only if a Non Glidermatic operator is fitted to the door.

Gliderol strongly recommends that the Gliderol residential A, AA & B Series Roller Door be serviced by an authorised Gliderol Distributor or Gliderol Technician every 24 months to ensure longevity of the products life.

Gliderol Glidermatic GRD+ Heavy Duty & Dual Roller Door Operator

Domestic / Residential use – 5 year parts only warranty on drive unit & motor, 1 year on electronics, limit switches, labour & workmanship. (Excludes batteries, fuses & lights globes, which have no warranty).

Industrial/Commercial use – not suitable for these applications therefore our Gliderol Warranty will not apply.

1 year on parts only, if fitted by parties other than an authorised Gliderol Distributor or Gliderol Technician.

Gliderol strongly recommends that the Gliderol Glidermatic Heavy Duty & Dual Roller Door Operator be serviced by an authorised Gliderol Distributor or Gliderol Technician every 18-24 months to ensure longevity of the products life.

Gliderol Glidermatic GRD Industrial Door Operator

Industrial / Commercial use – 1 year on all components, labour & workmanship, if fitted by an authorised Gliderol Distributor or Gliderol Technician. (Excludes batteries, fuses & lights globes, which have no warranty).

1 year on parts only, if fitted by parties other than an authorised Gliderol Distributor or Gliderol Technician.

Gliderol strongly recommends that the Gliderol Industrial GRD Door Operator be serviced by an authorised Gliderol Distributor or Gliderol Technician every 12 months to ensure longevity of the products life.

Gliderol Rollamatic Door Operator

Domestic / Residential use – 5 year parts only warranty on drive unit & motor, 1 year on electronics, limit switches, labour & workmanship. (Excludes batteries, fuses & lights globes, which have no warranty).

1 year on parts only, if fitted by parties other than an authorised Gliderol Distributor or Gliderol Technician.

Gliderol strongly recommends that the Gliderol Rollamatic Door Operator be serviced by an authorised Gliderol Distributor or Gliderol Technician every 18-24 months to ensure longevity of the products life.

Product Warranty Conditions

Warranty Conditions

1. Subject to the following specific limitations and exceptions, and in addition to all rights and remedies to which you may be entitled under the Australian Consumer Law, Gliderol warrants all new doors, motors and electronic components of Gliderol's manufacture, sold and installed by Gliderol, to be free from defect in workmanship under normal use and service for the Applicable Warranty Period prescribed above.

2. During the Applicable Warranty Period, Gliderol will make good any defect as described in clause 1 above by repairing or replacing the affected product or part (at its option) PROVIDED THAT notice of any claimed defect in materials or workmanship in or resulting from installation of any door shall have been given to Gliderol within the period from date of installation as prescribed above.

3. For products sold through or installed by an authorised Gliderol Distributor or other party (other than an accredited Installer Contractor nominated by Gliderol), our Gliderol Warranty covers only defects of manufacture and does not include:-

- Any defects caused by or related to the installation of that product, nor
- The cost of delivering or re-installing a product that is repaired or replaced.

This limitation does not exclude, restrict or modify any right or remedy to which you may otherwise be entitled in respect of delivery or re-installation under the Australian Consumer Law or other applicable laws, which may not be excluded.

4. Our Gliderol Warranty does not apply to any defect, loss or damage arising or caused directly or indirectly by or as a result of:-

- (i) Any masonry rendered or other surfaces cracking or collapsing during installation of the door
- (ii) Any defect or deterioration of timber including drying out after installation
- (iii) Any weakening or collapse of the structure to which the doors are affixed occurring any time after installation
- (iv) Any damage to or deterioration in the condition of the doors occurring in transit by customer nominated or appointed carrier or occurring after delivery and prior to installation
- (v) Any defect (including defects in component parts or accessories) rising from or attributable to the failure to carry out normal preventive maintenance or adjustment
- (vi) To any additional defect damage or deterioration arising from or attributable to the operation of the door after it is known to be defective
- (vii) Any door being installed within 800 metres of the sea or other body of water of equivalent or greater salt concentration or in an area subject to industrial fall out
- (viii) Any fault or surge in customer's electricity supply
- (ix) The door striking an immovable object during travel

5. Items excluded from our Gliderol Warranty are:

- (i) Batteries
- (ii) Fuses
- (iii) Globes
- (iv) Sensitivity adjustments

6. Water damage voids the Gliderol Warranty on all electronic components.

7. While Gliderol doors are long lasting and hard wearing under normal conditions our Gliderol Warranty does not extend to inherent defects in steel or other material used in the manufacture. Gliderol will however, where possible, procure and assign to the customer the benefit of the warranty of the manufacturer of the steel or other material.

8. If Gliderol has at request of a customer procured painting, powder coating or other surface application to its product, the Gliderol Warranty does not extend to such painting, powder-coating or other surface application. For this purpose, Gliderol at all times acts as agent of customer. Gliderol may, as a service to the customer but without any legal obligation to do so, assist customer to obtain redress in respect of any defect.

9. Except as is provided by the Gliderol Warranty and subject to any rights or remedies to which you may be entitled under the Australian Consumer Law or other applicable law which may not be excluded, this Gliderol Warranty supersedes and excludes all representations, warranties and conditions whether expressed or implied by law and Gliderol shall have no liability or otherwise than herein provided for any loss and damage (including consequential loss and damage, loss of use or profits) by reason of delay, defective or faulty materials or workmanship, negligence or any act, matter or thing done permitted or omitted to be done by Gliderol.

10. Gliderol reserves the right to touch up on site Colorbond and or pre-painted surfaces on its range of garage doors but, no responsibility will be taken for the possibility of any paint rubs or scuffing on the internal wash coat finish or external painted surface.

11. To make a claim under our Gliderol Warranty:

- (a) if you purchased your product directly from Gliderol, you must send your claim to one of the addresses listed at the end of this warranty; or
- (b) if you purchased your product from an authorised Gliderol Distributor or other non-Gliderol entity, you must make your claim through that authorised Distributor or other non-Gliderol entity.

Proof of purchase MUST be provided at the time of the Gliderol Warranty claim.

Any cost incurred by you in making a claim under our Gliderol Warranty will be borne by you.

12. The Gliderol Warranty is given by:

Name: Gliderol International Pty Ltd

Company address: 32 Jacobsen Crescent, Holden Hill SA 5088

Company telephone number: +61 8 8360 0002

Company email address: int@gliderol.com.au

CONDITIONS OF SALE AND INSTALLATION DIRECTLY FROM GLIDEROL

1. The following conditions of sale and installation apply only to products sold directly by Gliderol. These conditions do not apply to the sale of products by authorised Gliderol Distributors or other non-Gliderol entities.

2. THIS IS A QUOTATION ONLY – recommending type and size of doors suitable for the job. Confirmation as an order should be given by customer to Gliderol's Representative or to Gliderol's Office, "in writing" whereupon this quotation shall become a Contract for Sale and where applicable also a contract for Installation.

3. The details given in the quotation are subject to any alteration or preparation to be carried out by customer as specified on front of this quotation.

4. Where openings are not complete or actual accurate measurements cannot be taken on site, the Gliderol Doors sizes and costs given in this quotation are estimated only and would be subject to revision when accurate measurements can be taken on completion of the opening.

5. Manufacture of Gliderol Doors will not commence until accurate site measurements are available and can be checked.

6. Where Gliderol Doors are made to suit floor levels, lintel heights or opening sizes guaranteed by the customer, any departure from the given sizes will be the responsibility of the customer as will any costs involved in alteration of made-up Gliderol Doors.

7. Any delivery, and/or installation dates given are approximate only and Gliderol accepts no liability for delay from any cause whatsoever. If by any reason or Act of God, war, government or semi-government enactment, regulation or restriction, lock-out, strike, industrial dispute, fire, tempest, flood, failure or inability to obtain licenses, transport or materials or any other cause beyond Gliderol's control of delivery or installation is delayed Gliderol may extend the time of delivery or installation or if Gliderol is unable to deliver or install, the contract shall be voidable at Gliderol's option with no right to either party for damage, loss, cost or expense.

8. If these conditions of sale (which shall only be varied, modified or rescinded by written agreement executed by Gliderol) shall differ in any respect from the customer's acceptance or confirmation then these conditions shall prevail.

9. This quotation is open for acceptance for a period of 60 days from the date of quotation. Acceptance thereafter will be at the option of Gliderol and subject to its written agreement.

10. PRICE VARIATION: The prices quoted are based on current list prices for Gliderol Doors and Material and Labour at date of quotation. Any variation in these prices before completion of the Contract would be to customer's account.

11. TERMS OF PAYMENT: (i) Unless specifically varied in writing by Gliderol the terms of payment are in full on delivery (ii) If credit is extended the terms of payment are Nett 7 days. (iii) Default in payment in accordance with invoiced terms for payment will result in the customer becoming liable to pay all Gliderol's recovery costs and interest fixed at 5% of invoice value. (iv) The customer acknowledges that all right title and interest in the goods particularised hereon shall remain the property of the vendor Manufacturer until such time as payment in full has been made. At any time after delivery and prior to payment the vendor, Gliderol shall have the right to enter into and upon any premise upon which the goods may be stored or installed and remove same without its incurring any liability in relation thereto and the customer hereby appoints the vendor Manufacturer his or her servant agent and attorney for the such purposes. (v) Deposit is non-refundable if the job is cancelled by the customer/customers' agent if the door has commenced manufacture.

12. To secure to Gliderol the payment of the price the customer as owner lessee or tenant of the premises hereby charges the customers interest in the premises with the payment of the price. Gliderol may at any time after (but not before) default by the customer lodge a caveat over the customers interest in the premises.

13. Any discount applicable will not be granted if the account is unpaid after 7 days.

14. Gliderol does not itself carry out installation but will nominate an accredited Installer Contractor to carry out the work on its behalf. Installation is then a matter of separate contract with the Installer whose particulars are either provided in this Quotation or will be provided upon confirmation by the customer. Gliderol has taken all reasonable care to ensure that any Installer Contractor nominated is competent, experienced and skilled in the installation of Gliderol's doors. Gliderol will at all times use its influence to ensure any installation complaint is dealt with promptly and resolved to the reasonable satisfaction of the customer. The customer's attention is also directed to the terms of the warranty herein.

Product Warranty Conditions Cont..

15. The installation costs cover only the work specified on the quotation and do not, unless specially stated, include rectification of existing out-of-square openings or removal of old doors and fittings or electricity or gas fittings or the like.

16. Whilst reasonable care will be taken while drilling and fixing, Gliderol and its Installers will not be responsible for the failure, from any cause whatsoever, of any masonry or rendered surfaces while drilling or fixing by cracking or collapsing.

17. The Term "Take down old doors" or similar words used in this quotation refers only to the taking of old doors off the structure and does NOT in any way imply removal or taking away of any old doors from the property or of disposing of such doors.

Warranty Form

Name

Address

Product Type

Installation Date

Supplier (Distributor)

Installer

Phone No

Address

Installers Signature

NOTE: THIS FORM MUST BE COMPLETED BY THE INSTALLER AND PRODUCED AS PROOF OF PURCHASE DATE WHEN MAKING A SERVICE CALL UNDER WARRANTY, OTHERWISE SUCH CALLS ARE LIABLE TO SERVICE CHARGES.

FOR SALES AND SERVICE, CONTACT

GLIDEROL INTERNATIONAL PTY LTD ABN 92 007 928 949

Head Office

Gliderol Garage Doors
32 Jacobsen Crescent, Holden Hill, SA 5088
Phone (08) 8360 0000 Fax (08) 8261 9700

Victoria

Gliderol Garage Doors
23 Kitchen Road, Dandenong, VIC 3175
Phone (03) 9793 5455 Fax (03) 82619700

New South Wales

Gliderol Garage Doors
45 Summit Street, Smithfield, NSW 2164
Phone (02) 9725 1033 Fax (02)9725 1115

Queensland

Gliderol Garage Doors
241 Elliot Road, Banyo, QLD 4014
Phone (07) 3260 9000 Fax (07) 3260 9055

Western Australia

Gliderol Garage Doors
48 Luisini Road Wangara WA, 6065
Phone (08) 9408 4427 Fax (08) 9309 2777

OR YOUR LOCAL SUPPLIER