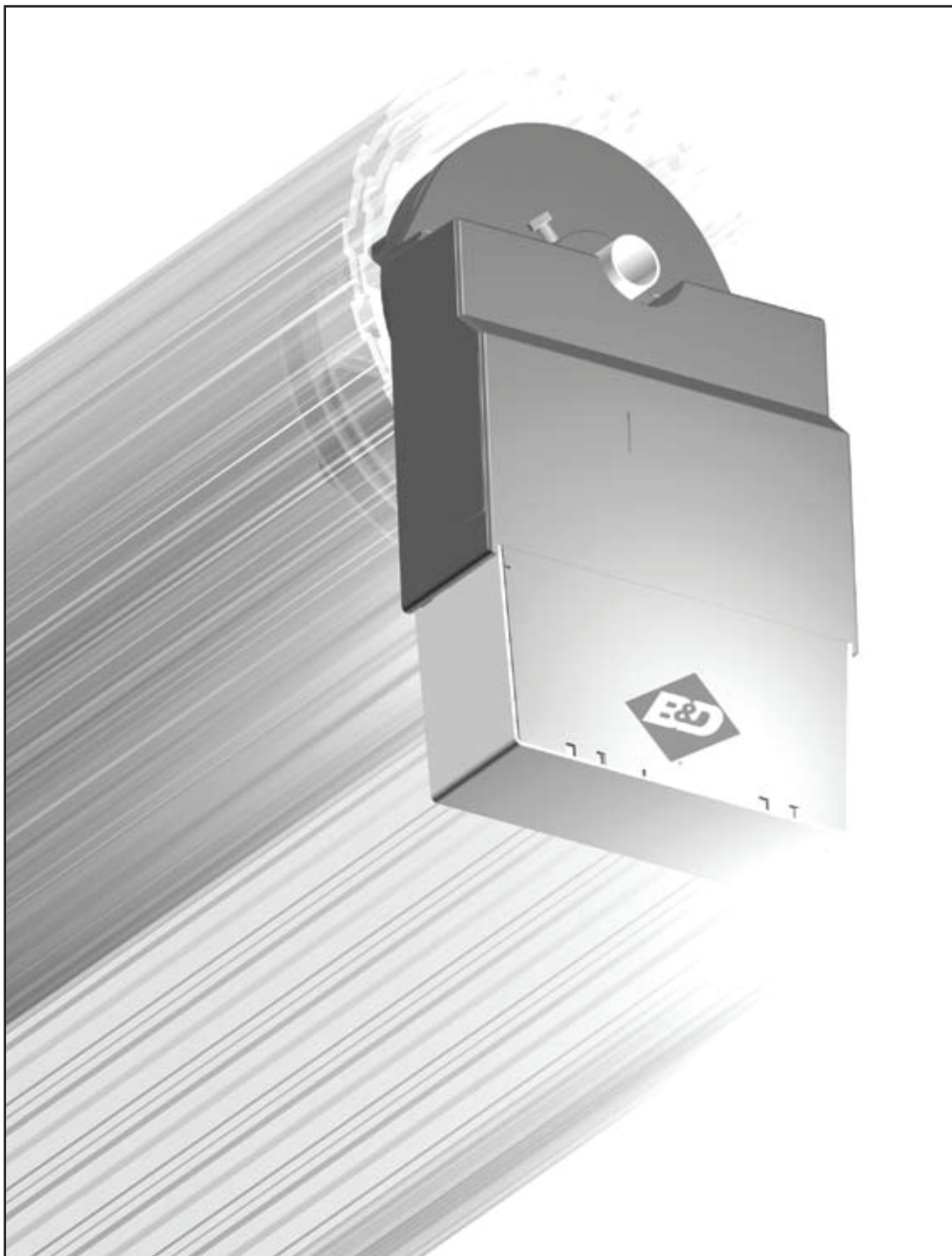




Easylifter™

ROLLING GARAGE DOOR OPENER























OWNERS COPY

Installation Instructions

Warning: It is vital for the safety of persons to follow all instructions. Failure to comply with the installation instructions and the safety warnings may result in serious personal injury and/or property and remote control opener damage. Please save these instructions for future reference.

IMPORTANT SAFETY INSTRUCTIONS

Warning - It is vital for the safety of persons to follow all instructions. Failure to comply with the following Safety Rules may result in serious personal injury and/or property damage.

-  For ADDITIONAL SAFETY protection we STRONGLY recommend the fitting of a Photo Electric Beam. In most countries Photo Electric Beams are mandatory on all garage doors fitted with automatic openers. For a small additional outlay B&D recommends that Photo Electric Beams be installed with the automatic opener ensuring additional safety and peace of mind.
-  The unit should be installed so that it is protected from the elements. It should not be exposed to water or rain. It is not to be immersed in water or sprayed directly by a hose or other water carrying device.
-  DO NOT operate the garage door opener unless the garage door is in full view and free from objects such as cars and children/persons. SERIOUS PERSONAL INJURY and/or property damage can result from failure to follow this warning.
-  The garage door must be WELL BALANCED. Sticking or binding doors must be repaired by a qualified garage door installer prior to installation of the opener .
-  DO NOT operate the garage door opener when children/persons are near the door. Children must be supervised near the garage door at all times when the door opener is in use. SERIOUS PERSONAL INJURY and/or property damage can result from failure to follow this warning.
-  Frequently examine the installation, in particular cables, springs and mountings. DO NOT attempt to repair the door yourself as hardware is under extreme tension and can cause SERIOUS PERSONAL INJURY and/or property damage.
-  DO NOT allow children to operate the garage door opener. SERIOUS PERSONAL INJURY and/or property damage can result from failure to follow this warning.
-  REMOVE OR DISENGAGE all garage doors locks and mechanisms prior to installation of the opener.
-  Regularly check to make sure that the SAFETY OBSTRUCTION FORCE is working correctly, and is TESTED (by placing a 40mm high object on the floor) and set as per the installation instruction manual. Failure to follow the manual may result in SERIOUS PERSONAL INJURY and/or property damage. This test must be repeated at regular intervals and the necessary adjustments made as required.
-  Connect the garage door opener to a properly EARTHED general purpose 240V mains power outlet installed by a qualified electrical contractor.
-  DO NOT disengage the door opener to manual operation with children/persons or any other objects including motor vehicles within the doorway.
-  DISCONNECT THE POWER CORD from mains power before making any repairs or removing covers. Only EXPERIENCED service personnel should remove covers from the garage door opener.
-  Install the wall switch or wall mounted transmitter in a LOCATION/POSITION where it is out of reach of children and the garage door is visible.
-  When using auto close mode, a PHOTO ELECTRIC BEAM must be fitted correctly and tested for operation at regular intervals. EXTREME CAUTION is recommended when using auto close mode. ALL SAFETY RULES must be followed.
-  The door opener is not intended for use by young children or infirm persons without adequate supervision. Young children should be supervised to ensure that they do not play with the equipment.
-  In order for the garage door opener to SENSE an object obstructing the door way, some FORCE must be exerted on the object. As a result the object, door and/or person may suffer DAMAGE or INJURY.
-  Keep hands and loose clothing CLEAR of the garage door and opener at all times.
-  If the power supply cord is damaged, it MUST be replaced by an B&D service agent or suitably qualified person.
-  Make sure that the door is fully open before driving in or out of the garage.
-  Make sure the door is fully closed before leaving the driveway.

B&D Doors & Openers Pty Ltd (B&D) to the extent that such may be lawfully excluded hereby expressly disclaims all conditions or warranties, statutory or otherwise which may be implied by laws as conditions or warranties of purchase of a B&D Rolling Garage Door Opener. B&D hereby further expressly excludes all or any liability for any injury, damage, cost, expense or claim whatsoever suffered by any person as a result whether directly or indirectly from failure to install the B&D Rolling Garage Door Opener in accordance with these installation instructions.

FEATURES

Your Easylifter Automatic Rolling Garage Door Opener has many features which you will appreciate. The components and materials used in this Automatic Opener are of the latest technology and highest quality. Listed below are some of the many features.

OPERATION

To open or close the door simply press the hand held transmitter, the wall mounted transmitter, or optional wall switch for two seconds. During an open cycle the door can be stopped by pressing the button while the door is in motion. If it is interrupted during a close cycle the door will pause briefly then return to the fully open position. The next actuation will move the door in the opposite direction.

FIXED CODE

With only one of a possible 3.486 billion able to open your door, you can rest safe in the knowledge that only your remote will allow access to the biggest opening to your home.

ISS (INTELLIGENT SAFETY OBSTRUCTION SYSTEM)

The door will automatically reverse should it encounter an obstacle or be restricted in some manner while performing a close cycle. The amount of force the door should sense before reversing is automatically adjusted by the door's control system during the initial installation of the automatic door opener. The door will also stop if restricted whilst opening. The Safety Obstruction Force should be checked at least once a month.

SECURITY CODE STORE

The Easylifter Garage Door Opener uses state of the art technology in storing your selected transmitter security code. Up to 8 different transmitters can be stored in the openers memory.

To store any code simply press and hold the Door Code button on the opener and press the transmitter button twice. Each or all codes can be deleted and changed at any time.

SERVICE INDICATOR

The opener features a service indicator. When the Overload LED flashes and the beeper sounds at the start of a door cycle, this means that the opener and/or garage door requires service.

CAS (COLOUR ASSISTED SETTINGS)

To make the installation of the opener simpler, B&D has developed the CAS (Colour Assisted Settings) system. This unique colour coded system (red for close, green for open) allows for all the adjustments and settings to be easier and simpler for the user or installer to complete the installation

OPEN AND CLOSE DRIVE BUTTONS

Developed by B&D to aid with the installation of the opener is the Open and Close Drive Buttons. These buttons are used to help set the open and close limit positions. A quicker setting time and a more precise limit position can be achieved by using this system.

INITIALISATION

The Reset button on the opener is used to initialise or re-initialise the obstruction force settings and door travel counters. See installation manual for instructions.

AUTO CLOSE MODE

The opener can be programmed to automatically close after an open cycle. The auto close time is adjustable. It is compulsory to install a Photo Electric Beam if this mode is selected, otherwise the door may cause personal injury or damage to property.

SAFETY AUTO RUN TIME

If the opener does not complete its cycle within thirty seconds it will automatically stop if opening, or reverse to the fully open position if closing.

PHOTO ELECTRIC BEAM (OPTIONAL)

The opener has an input for a photo electric beam to be connected for extra safety protection and use of the auto close mode.

MANUAL OPERATION

The opener is equipped with a unique patented manual disengaging device. If the power to the opener is disrupted for any reason the door can be put into manual mode by pulling down on the string handle, then releasing. This will allow you to manually open or close the door. When power is restored, by pulling down on the string handle and releasing, the opener is put back into automatic mode.

OPERATING CONTROLS

1. LIGHT CODE button (White) is used for storing or erasing the transmitter button (code) you wish to use to turn the opener's courtesy light on and off.

2. DOOR CODE button (Blue) is used for storing or erasing the transmitter button (code) you wish to use to command the door to open, stop or close.

3. CLOSE DRIVE button (Red) is used during installation to help set the close limit stop position. Pressing this button will move the door in the close direction. Movement stops when the button is released.

NOTE: The close safety obstruction detection is disabled when the Close Drive button is used to move the door.

4. CLOSE LIMIT LED (Red) the LED is very helpful during installation, it illuminates and flashes while the door is closing and remains steady on when the close limit is reached.

5. AUTO CLOSE TIME button (White) is used to adjust the auto close time. While holding Auto Close and pressing the Open button the time delay is increased (each press will increase the time by 5 seconds). Pressing the Close button will decrease the time delay.

6. RESET button is used to initialise and set the door/opener operating parameters, including cycle times and obstruction force settings.

7. O/S/C button (Yellow) is used during installation to test the Open, Stop and Close cycles for the Opener. The opener has to be initialised by the Reset button before the O/S/C button becomes operable.

8. CLOSE LIMIT ADJUST SCREW (Red) is used to fine adjust the close limit stop position.

9. OPEN LIMIT ADJUST SCREW (Green) is used to fine adjust the open limit stop position.

10. OPEN LIMIT CAM (Green) is used to set the open limit stop position.

11. OPEN Drive button (Green) is used during installation to help set the open limit stop position. Pressing this button will move the door in the open direction. Movement stops when the button is released.

NOTE: The open safety obstruction detection is disabled when the Open Drive button is used to move the door.

12. OPEN LIMIT LED (Green) the LED is very helpful during installation. It illuminates and flashes while the door is opening and remains steady on when the open limit is reached.

13. CLOSE LIMIT CAM (Red) is used to set the close limit stop position.

14. FORCE MARGIN SET button (White) is used to change the force pressure when the door encounters an obstruction. Pressing the Force Margin Set button and Open or Close button will increase or decrease the force. Normally the force pressure is set automatically. Force Margin Set is only used if other environmental factors (wind, etc.) effect the operation of the Door/Opener.

15. P.E. INPUT is for connection of Photo Electric Beams (optional extra) for extra safety obstruction protection, or compulsory when used with Auto Close mode.

NOTE: P.E. SHUNT must not be removed otherwise the opener will not function correctly. Remove only when a P.E. Beam is to be connected.

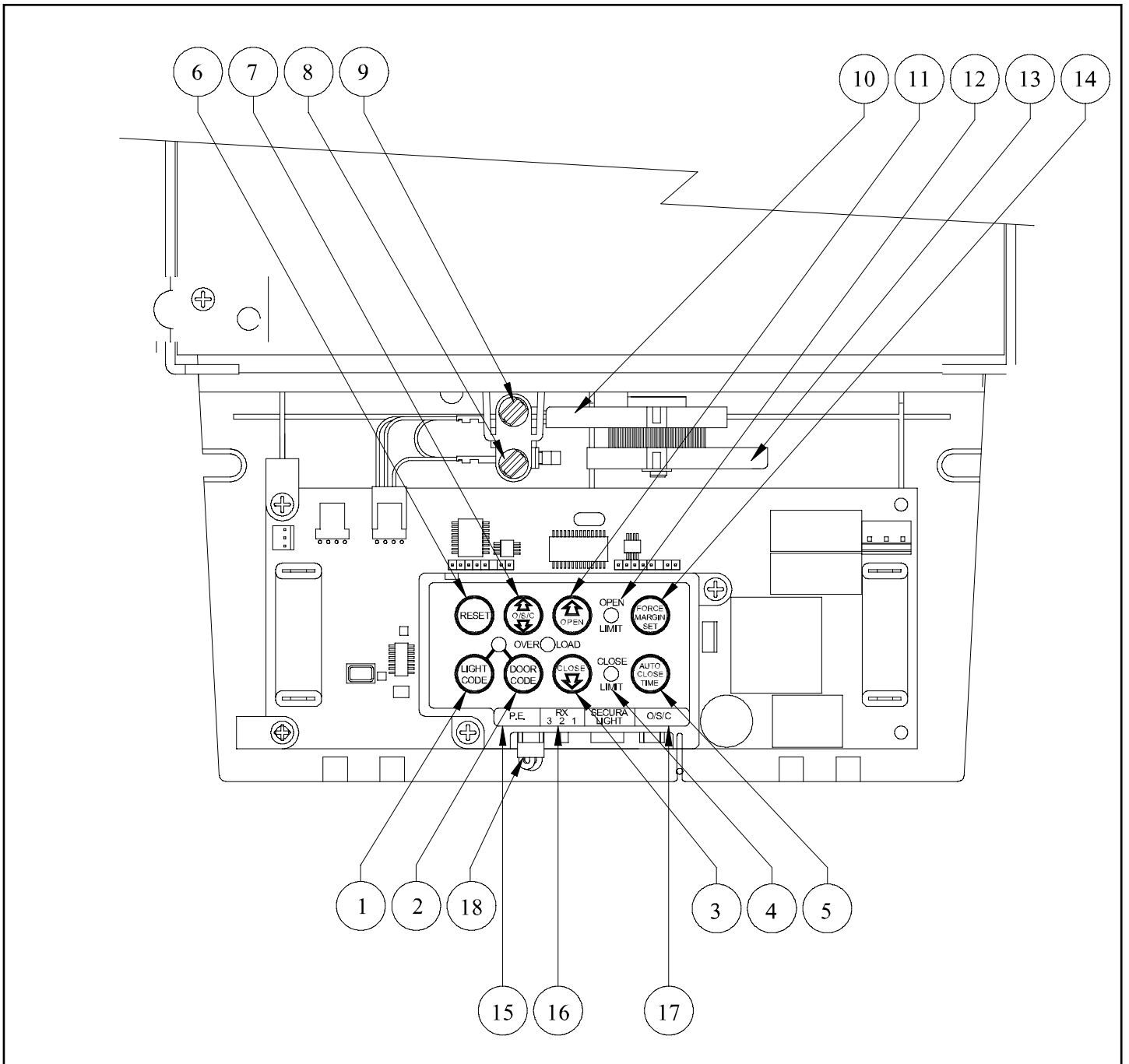
16. EXTERNAL RECEIVER INPUT is the input where an external receiver can be connected (optional extra). It can supply 30mA @ 24 volts DC maximum to power an external receiver.

17. O/S/C INPUT is for connecting the wired Wall Switch (optional extra) .

18. P. E. SHUNT The shunt has to be removed when connecting a Photo Electric Beam.

19. ENGAGE/DISENGAGEMENT HANDLE when pulled down and released will select manual mode on the opener when there is a power failure. Pulling down and releasing again will switch the opener to automatic mode.

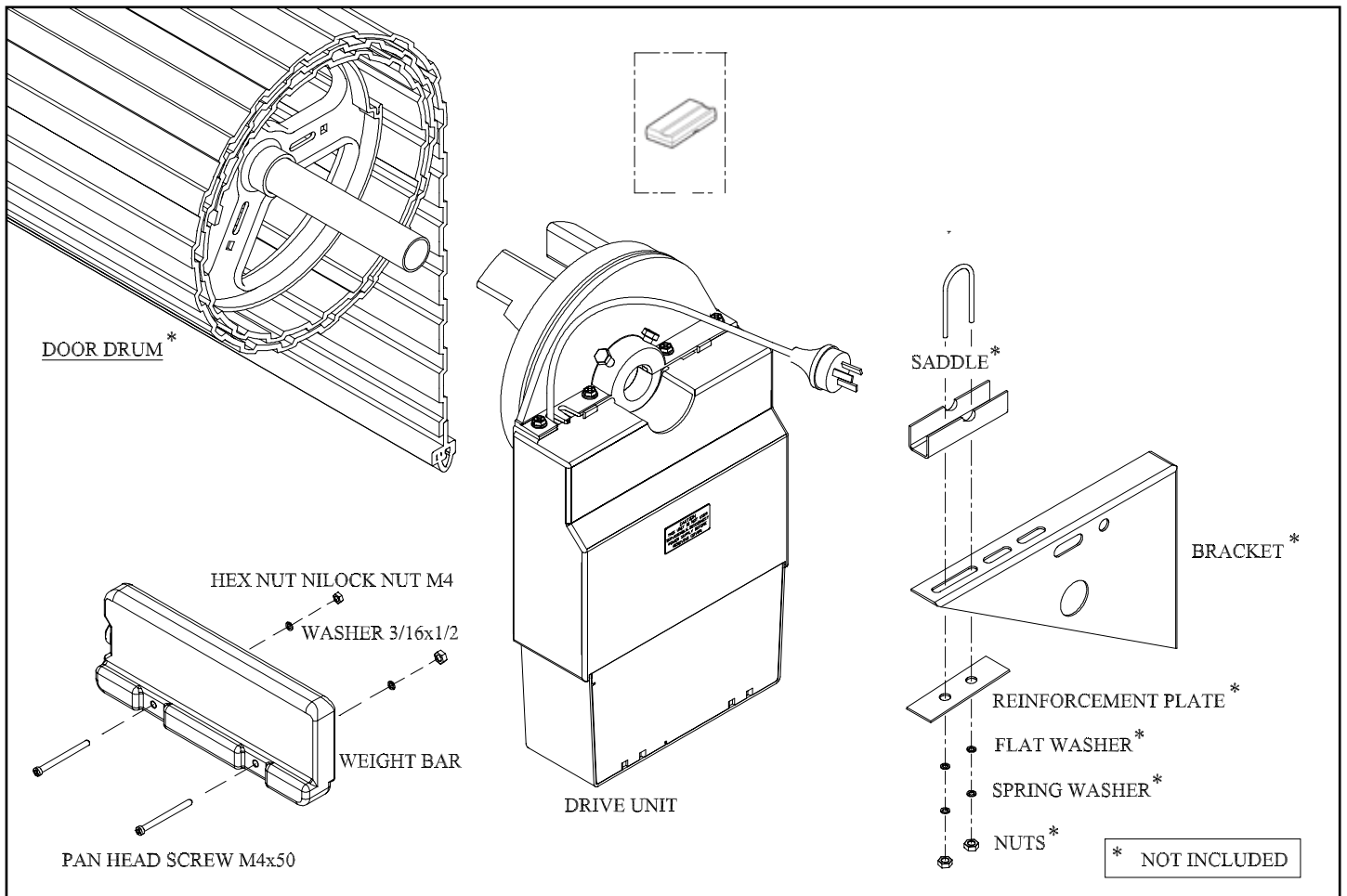
OPERATING CONTROLS



- | | |
|------------------------------------|-------------------------------|
| 1) LIGHT CODE BUTTON (WHITE) | 11) OPEN DRIVE BUTTON (GREEN) |
| 2) DOOR CODE BUTTON (BLUE) | 12) OPEN LIMIT (RED) |
| 3) CLOSE DRIVE BUTTON (RED) | 13) CLOSE LIMIT CAM (RED) |
| 4) CLOSE LIMIT LED (RED) | 14) FORCE MARGIN SET BUTTON |
| 5) AUTO CLOSE BUTTON (WHITE) | 15) P.E. INPUT |
| 6) RESET BUTTON | 16) EXTERNAL RECEIVER INPUT |
| 7) O/S/C BUTTON (YELLOW) | 17) O/S/C INPUT |
| 8) CLOSE LIMIT ADJUST SCREW (RED) | 18) P.E. SHUNT |
| 9) OPEN LIMIT ADJUST SCREW (GREEN) | |
| 10) OPEN LIMIT CAM (GREEN) | |

PACKAGE CONTENTS

ITEM	QUANTITY
EASYLIFTER DRIVE UNIT	1
HAND HELD TRANSMITTER	1
ALKALINE BATTERY A23 12V	1
WEIGHT BARS (NOT INCLUDED IN SOME MODELS)	2
SCREW M5x40mm (NOT INCLUDED IN SOME MODELS)	4
HEX NUT M5 (NOT INCLUDED IN SOME MODELS)	4
SPRING WASHER I.D 5 (NOT INCLUDED IN SOME MODELS)	4
SCREW #6x1"	2
PLASTIC WALL PLUGS	2
INSTALLATION MANUAL	1



BEFORE INSTALLATION

IMPORTANT SAFETY INSTRUCTIONS FOR INSTALLATION

Warning: Incorrect installation can lead to severe injury. Follow ALL installation instructions.

SIDE ROOM REQUIREMENTS

Fig. 1 shows the minimum side room that is required. The distance between the edge of the door curtain and the inside of the bracket is 85mm minimum, and the distance between the edge of the door curtain and the outside of the bracket is 135mm minimum.

Fig. 2 shows the recommended side room. The distance between the edge of the door curtain and the inside of the bracket should be 110mm, and the distance between the edge of the door curtain and the outside of the bracket is 160mm.

1. CHECK OPERATION OF DOOR

BEFORE BEGINNING THE INSTALLATION OF THE EASYLIFTER AUTOMATIC GARAGE DOOR OPENER CHECK THE OPERATION OF THE DOOR.

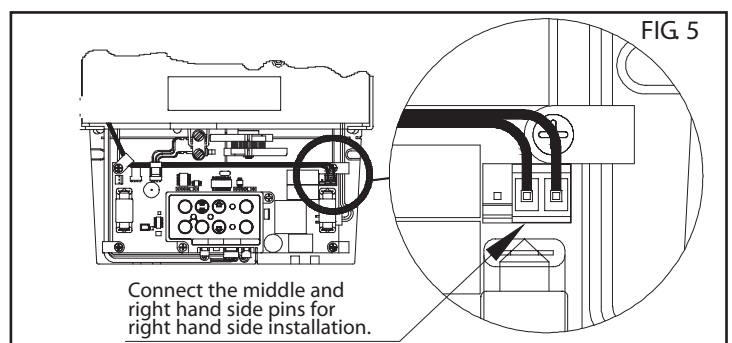
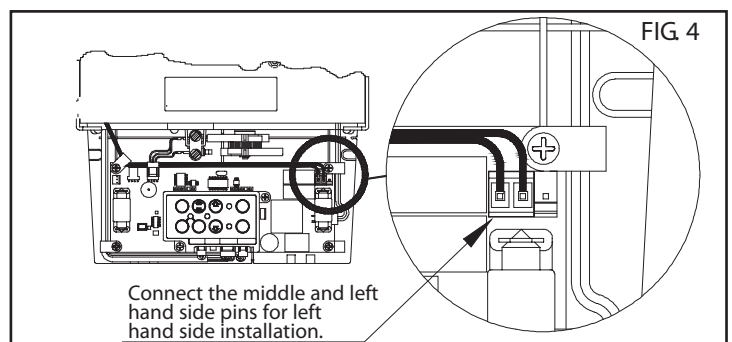
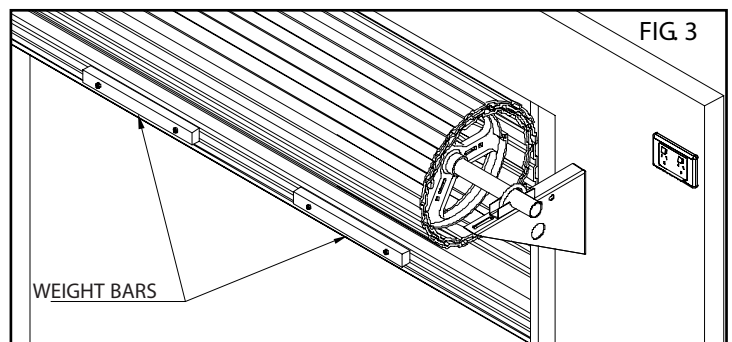
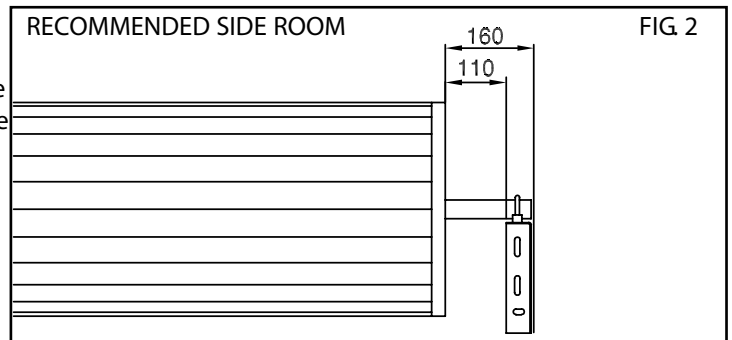
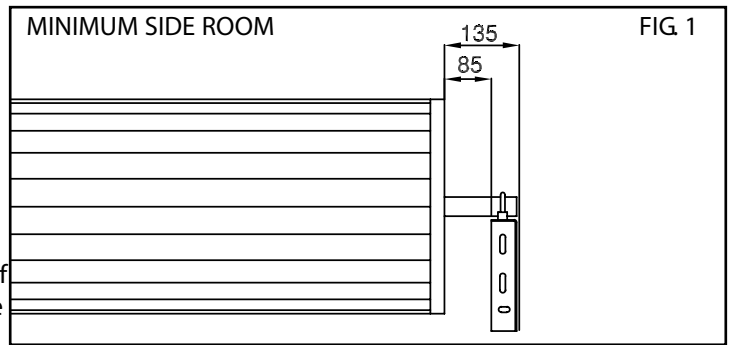
The door must be well balanced and be in a reasonable operating condition. You should be able to lift the door smoothly and with little resistance. It should stay open around 900mm to 1200mm above the floor. The door should not stick or bind in the guide tracks. The ideal operational effort in raising or lowering the door should not exceed a force of 10kg (22 lbs.). Make sure that all door locks are either removed, or disabled and remove unnecessary accessories.

2. FIXING OF DOOR WEIGHT BARS

Move the door manually to the mid open position. Place the weight bars equally apart on the bottom rail of the door and secure them with the fasteners provided(Fig. 3). Check the operation of the door again. If the door feels heavy it may require extra tension to be added to the door springs. Refer to the door Installation manual from the manufacturer on how to tension the door.

3. LEFT OR RIGHT HAND INSTALLATION

The Easylifter Automatic Garage Door Opener can be installed on the left or right hand side of the door (when looking out from the inside of the garage). If the opener is to be installed on the RIGHT HAND side of the door, then no change needs to be made, as this is the standard factory setup. If LEFT HAND side installation is required, the next step is to move the motor wire connector on the control board. The connector plug has to be removed and reconnected to the LEFT side of the connector (Fig.4). If you have made an error in the selection and wish to install on the RIGHT HAND side, then reconnect the connector plug on the RIGHT side of the connector (Fig.5)



MOUNTING THE OPENER

4. FIXING DRIVE UNIT TO THE DOOR

The Easylifter Drive Assembly can be fixed to the rolling garage door in a variety of ways. Described below is one method of fixing. Make sure there is enough side room (135mm from the end of the door shaft to the wall) to slide the drive unit onto the shaft.

PLEASE NOTE: THE INSTRUCTIONS FOR FIXING THE DRIVE ASSEMBLY TO THE DOOR IS FOR RIGHT HAND INSTALLATION.

FITTING DRIVE UNIT TO DOOR (Fig. 10, Fig. 11 and Fig. 12).

1. Check that the door shaft U bolt is securely tightened on the left hand side of the door.
2. Raise the door and tie a rope around the centre to secure the roll.
3. Support the right hand end of the door with a suitable prop, e.g. step ladder and soft padding to protect the door surface.

WARNING: DO NOT ALLOW CHILDREN/PERSONS AROUND THE DOOR AND PROP. SERIOUS PERSONAL INJURY AND/OR PROPERTY DAMAGE CAN RESULT FROM FAILURE TO FOLLOW THIS WARNING.

4. Check that Steps 2 and 3 was completed. Carefully loosen and remove the right hand door shaft U bolt.
5. Make sure that the door supporting prop is secure. While the door is supported remove the right hand door mounting bracket from wall.
6. Remove the drive unit from the packaging. Try to rotate the drive gear by pushing on the fork. If the gear does not rotate manual mode has to be selected. To select pull down on the string handle, then release slowly. The drive gear should now rotate freely.
7. Slide the drive unit over the door axle making sure that the fork extends into and over one of the spokes of the door drum wheel.
8. Refit the door mounting bracket to the wall. In some cases the bracket may have to be re-positioned. Re-tighten the door shaft U bolt. Remove door supporting prop and untie the rope from the curtain.
9. Straighten the drive unit and position as per Fig. 12. Tighten the two locking bolts firmly to secure the drive unit.
10. Check the manual operation of the door by raising and lowering the door. The door should run smoothly and not catch on any part of the drive unit.
11. Adjust the length of the manual release cord so that it can be easily reached by an adult of average height (ie. less than 1.8m tall).

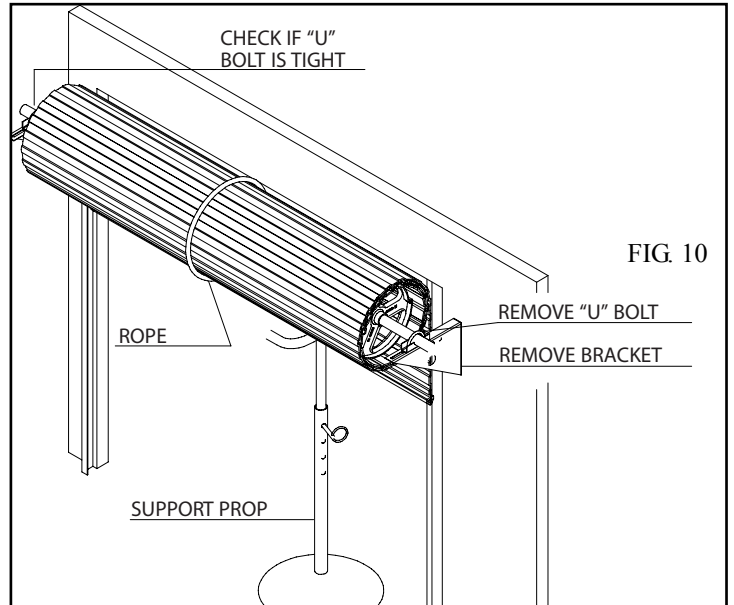


FIG. 10

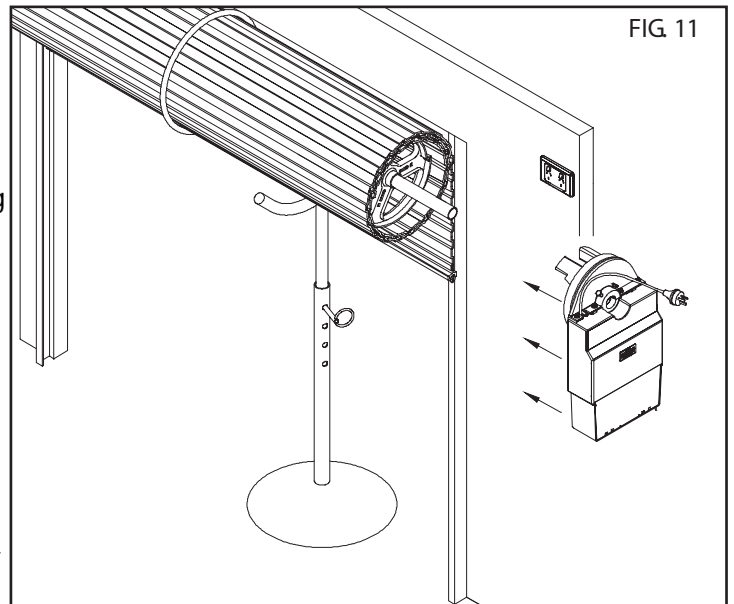


FIG 11

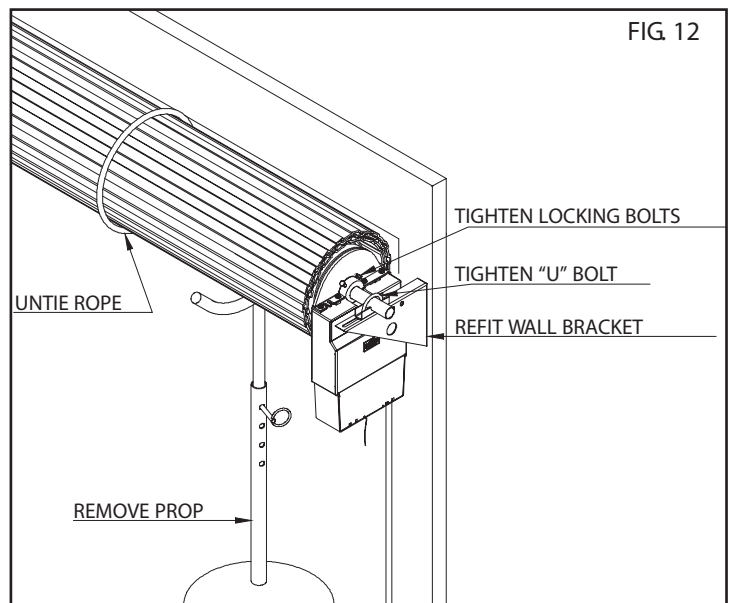


FIG 12

SETTING LIMITS

5. FIXING OF DOOR CURTAIN TO DRUM WHEEL

The door curtain has to be secured to the drum wheel with suitable fasteners.

1. With the door in the fully closed position, mark the curtain (Fig. 13) on both ends of the door.
2. Open door slightly to have access to the marked positions. Secure the curtain to drum wheel using self drilling screws (two on each end). The screws should be at least 90 degrees apart (Fig. 13).

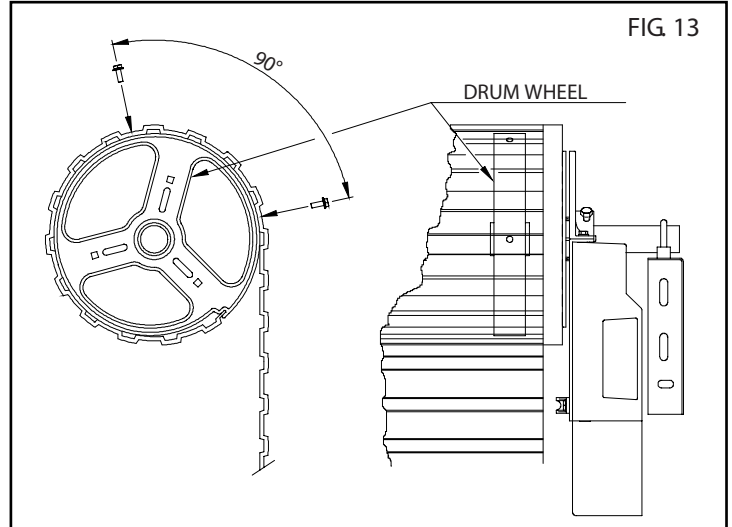


FIG 13

6. SETTING DOOR TRAVEL LIMIT POSITIONS

IMPORTANT NOTE: The O/S/C button will not function until the open and close limits positions are set and Step 7.1 is completed.

The Limit Cams, Limit Fine Adjustment Screws and Door Inch Open and Close buttons are colour coded to make the setting of the limits as user friendly as possible.

The GREEN colours for OPEN LIMIT SETTING.
The RED colours for CLOSE LIMIT SETTING.

6.1 SETTING LIMITS FOR RIGHT HAND INSTALLATION

1. With the drive unit in manual mode (Fig. 14) move the door up by hand to the desired open position.
2. Remove the light diffuser (Fig. 14). Rotate the green limit cam by hand in an anticlockwise direction (Fig. 15) until the cam clicks the open limit switch.
3. Move the door down by hand to the desired closed position.
4. Rotate the red limit cam by hand in a clockwise direction (Fig. 16) until the cam clicks the close limit switch.
5. Connect the power lead from the drive unit into, a general purpose power outlet installed by a licensed electrical contractor. Make sure that the power lead is safely fastened away from any moving parts. Turn the power on.
6. Re-engage the drive gear by pulling down on the string and then releasing slowly (Fig. 14).

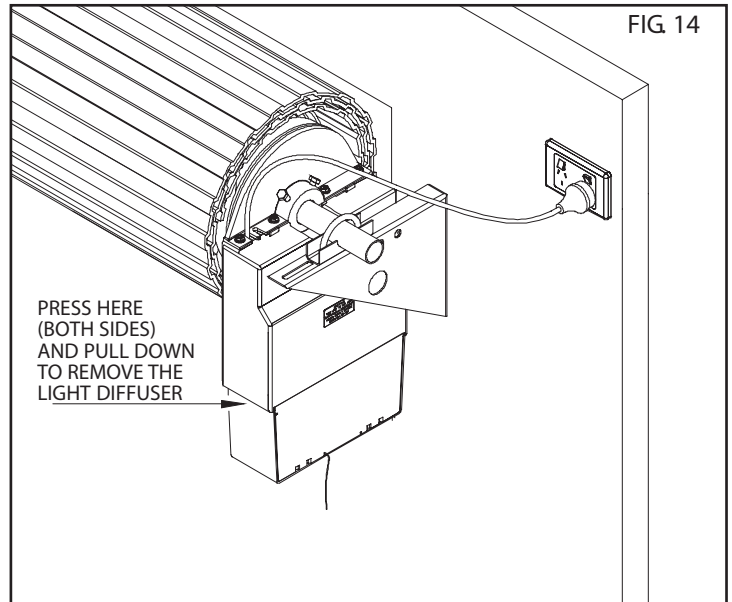


FIG 14

OPEN LIMIT ADJUSTMENT

Press and hold the green Open button (Fig. 15) The door should start opening. Release the green Open button when the door reaches the desired open position. If the green LED (Fig. 15) illuminated and the desired limit position has been reached then the limit adjustment is complete. If the green LED is illuminated but you are not happy with the door's open position, the green Fine Adjustment Screw (Fig. 15) can be adjusted to fine tune the open position. Turn the screw anti-clockwise to open the door more. To open the door less turn the screw clockwise. Each complete revolution of the adjustment screw is equal to approximately 10mm of door travel.

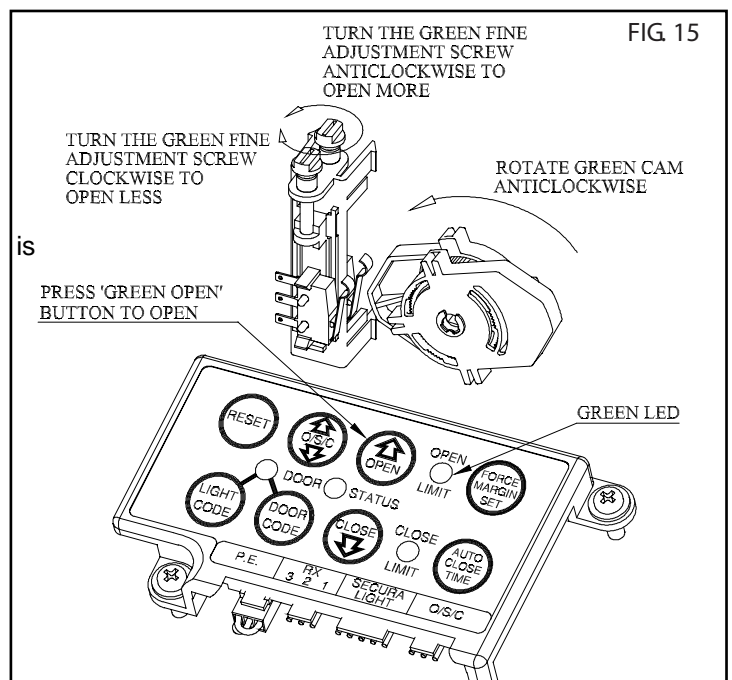


FIG 15

SETTING LIMITS

NOTE: If the door has not reached the desired limit position by more than 30mm, then it is recommended that the green limits can be adjusted again before the green fine adjustment screw is adjusted.

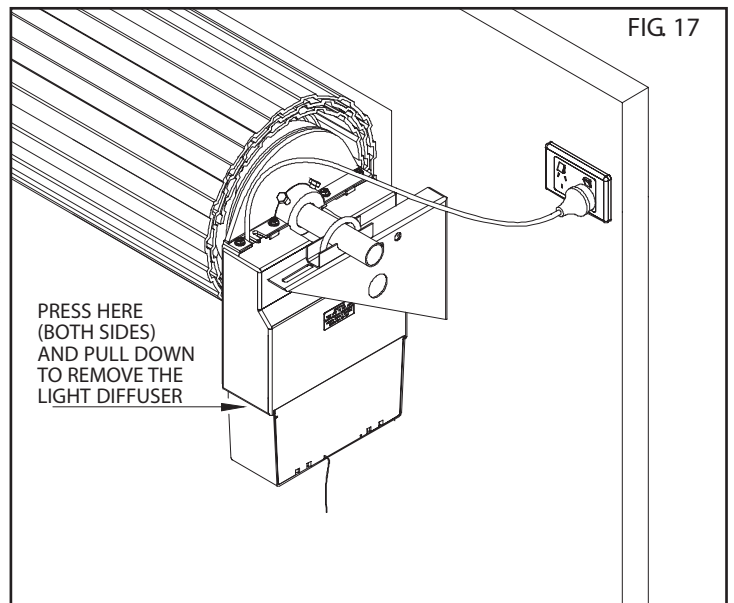
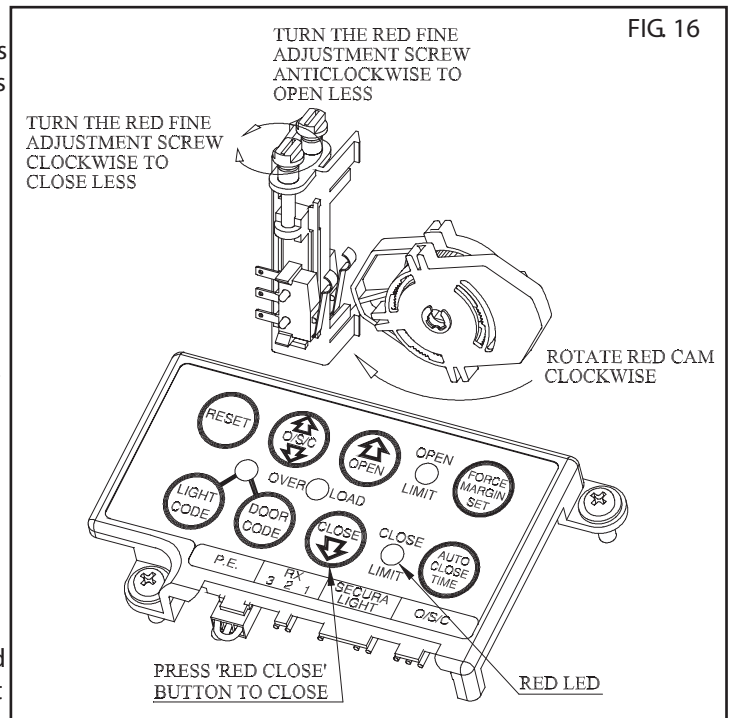
CLOSE LIMIT ADJUSTMENT

Press in and hold the red Close button (Fig. 16). The door should start closing. Release the red Close button when the door reaches the desired closed position. If the red LED (Fig. 16) is illuminated and the desired limit position has been reached then the limit adjustment is complete. If the red LED is illuminated but you are not happy with the door close position, the red Fine Adjustment Screw (Fig. 16) can be adjusted to fine tune the close position. Adjust the screw anticlockwise to close the door less. To close the door more adjust the red Fine Adjustment Screw clockwise. Each complete revolution of the adjustment screw is equal to approximately 10 mm of door travel.

NOTE: If the door has not reached the desired limit position by more than 30mm, then it is recommended that the red limits cam be adjusted again before the red fine adjustment screw is turned.

6.2 SETTING LIMITS FOR LEFT HAND INSTALLATION

1. With the drive unit in manual mode (Fig. 17) move the door up by hand to the desired open position.
2. Remove the light diffuser (Fig. 17). Rotate the green limit cam by hand in a clockwise direction (Fig. 18) until the cam clicks the open limit switch.
3. Move the door down by hand to the desired closed position.
4. Rotate the red limit cam by hand in an anticlockwise direction (Fig. 19) until the cam clicks the close limit switch.
5. Connect the power lead from the drive unit into a general purpose power outlet installed by a licensed qualified electrical contractor. Make sure that the power lead is safely fastened away from any moving parts. Turn the power on.
6. Re-engage the drive gear by pulling down on the string and then releasing slowly (Fig. 17).



SETTING LIMITS

OPEN LIMIT ADJUSTMENT

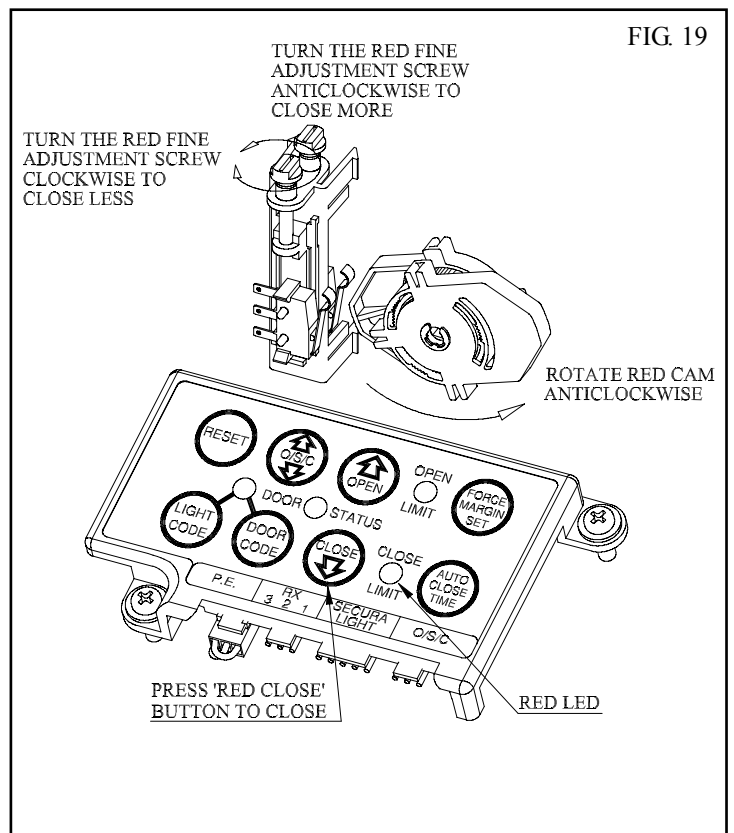
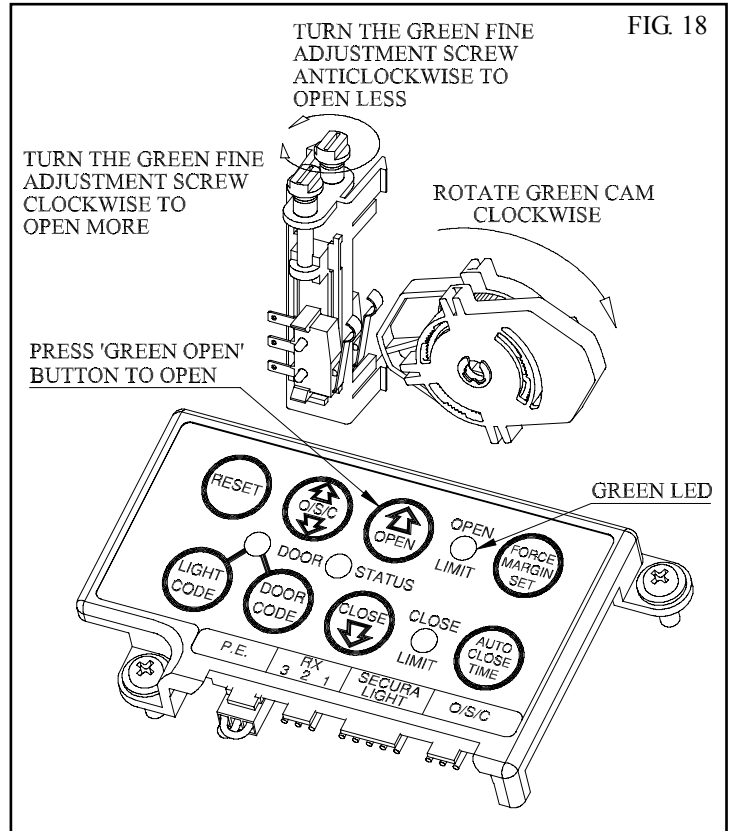
Press and hold the green Open button (Fig. 18). The door should start opening. Release the Open button when the door reaches the desired open limit stop position. If the green LED (Fig. 18) is illuminated and the desired limit stop position has been reached then the limit adjustment is complete. If the green LED is illuminated but you are not happy with the door open position, the green Fine Adjustment Screw (Fig. 18) can be adjusted to fine tune the open position. To open the door more, turn the Green Fine Adjustment Screw clockwise. To open the door less turn the Green Fine Adjustment screw anticlockwise. Each complete revolution of the adjustment screw is equal to approximately 10mm of door travel.

NOTE: If the door has not reached the desired limit position by more than 30mm, it is recommended that the green limit cam be adjusted again before the green fine adjustment screw is turned.

CLOSE LIMIT ADJUSTMENT

Press and hold the red Close button (Fig. 19). The door should start closing. Release the Close button when the door reaches the desired closed limit stop position. If the red LED (Fig. 19) is illuminated and the desired limit position has been reached then the limit adjustment is complete. If the red LED is illuminated but you are not happy with the door close position, the red Fine Adjustment Screw (Fig. 19) can be adjusted to fine tune the close position. Turn the screw clockwise to close the door less. To close the door more turn the screw anticlockwise. Each complete revolution of the adjustment screw is equal to approximately 10mm of door travel.

NOTE: If the door has not reached the desired limit position by more than 30mm, then it is recommended that the red limit cam be adjusted again before the red fine adjustment screw is turned.



SETTING SAFETY OBSTRUCTION FORCE

7. SETTING OPEN AND CLOSE SAFETY OBSTRUCTION FORCE

The Safety Obstruction Force is calculated automatically and set in memory on the EasyLifter. This applies to both the Open Force and Close Force.

Warning: When step 7.1 is initiated the garage door will do a full open and close cycle automatically. Please keep doorway clear to avoid any personal injury or damage to property.

7.1 TO INITIALISE OBSTRUCTION FORCE

1. Press and hold the Close button (Fig. 20) to move the door to the fully closed position. Check that the red LED is steady ON, to confirm the door is set on the closed limit position
2. Press the Reset button (Fig. 20) for two seconds, the door should start opening. When the door reaches the fully open position it will pause momentarily then start to close. The door has to do a complete open and close cycle without interruptions for the safety obstruction parameters to be calculated and set automatically.

A default safety force margin is preset in the factory. Under normal operating conditions this default margin should not be changed. If you are not satisfied with this setting you can adjust it as per the procedure below.

IMPORTANT NOTE:

Whenever the limit switches or cams are adjusted the safety obstruction force has to be re-initialised because the door's travel distance may have changed. To re-initialise the door follow STEP 7.1 above.

7.2 TO INCREASE FORCE PRESSURE

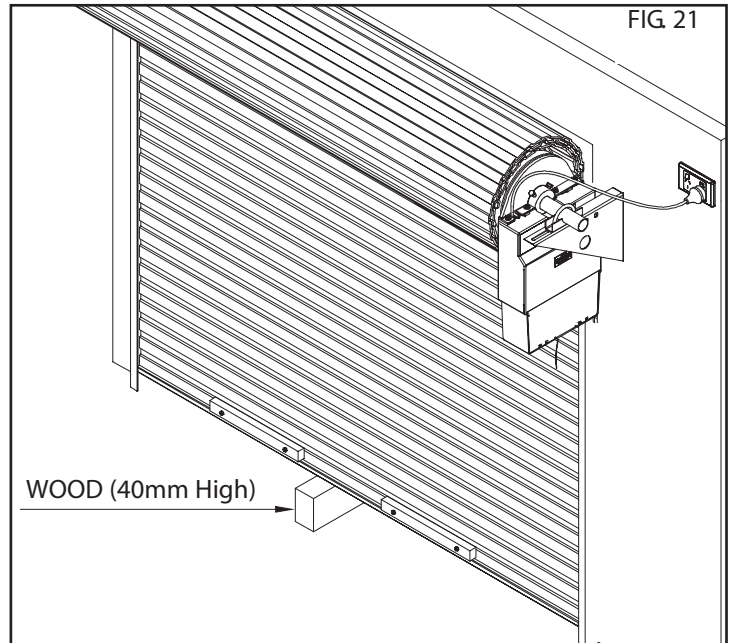
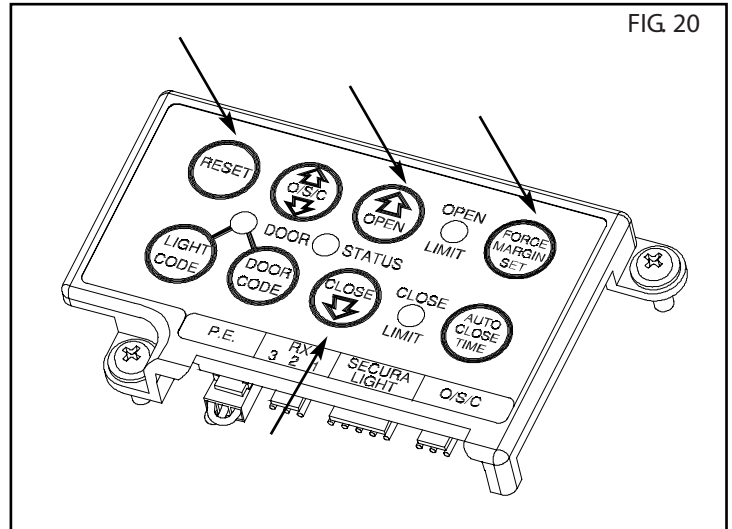
1. Press and hold the Force Margin Set button (Fig. 20).
2. While holding Force Margin Set press the green Open button. The green LED will illuminate each time the green open button is pressed to indicate that the force pressure is being increased. If the green LED flashes continuously when the open button is pressed, this indicates that the maximum force pressure setting has been reached.

7.3 TO DECREASE FORCE PRESSURE

1. Press and hold the Force Margin Set button (Fig. 20).
2. While holding down button press the red Close button. The red LED will illuminate each time the Close button is pressed, to indicate that the force pressure is being reduced. If the red LED flashes continuously when the close button is pressed, this indicates that the minimum force pressure setting has been reached.

7.4 TO RECALL FACTORY SET FORCE

1. While holding the Force Margin Set button press the RESET button for two seconds.
2. Release both buttons. The default setting should now be recalled



7.4 SAFETY OBSTRUCTION TEST

TESTING CLOSE CYCLE

1. Open the door by pressing the Yellow O/S/C button (Fig. 20).
2. Place a length of timber 40mm high on the floor directly under the door (Fig. 21).
3. Press the Yellow O/S/C button to close door. The door should strike the object and start to re-open.

TESTING OPEN CYCLE

1. Close the door by pressing the Yellow O/S/C button. (Fig. 20).
2. Press again to open the door. When the door opens half way grab the bottom rail of the door firmly, the door should stop.

If the door does not reverse readily when closing, or stop when opening, the force may be excessive and need adjusting, refer to STEP 7.1, 7.2, 7.3 and 7.4.

IMPORTANT WARNING: If the door is closing and is unable to re-open when obstructed discontinue use. Do not use a door with faulty obstruction sensing. Repair fault and re-test before using.

CODING TRANSMITTERS

8. STORING TRANSMITTER CODES

Make sure to connect the battery to the transmitters. The memory in the opener receiver can store up to 21 different remote control transmitters buttons.

8.1 STORING TRANSMITTER CODE

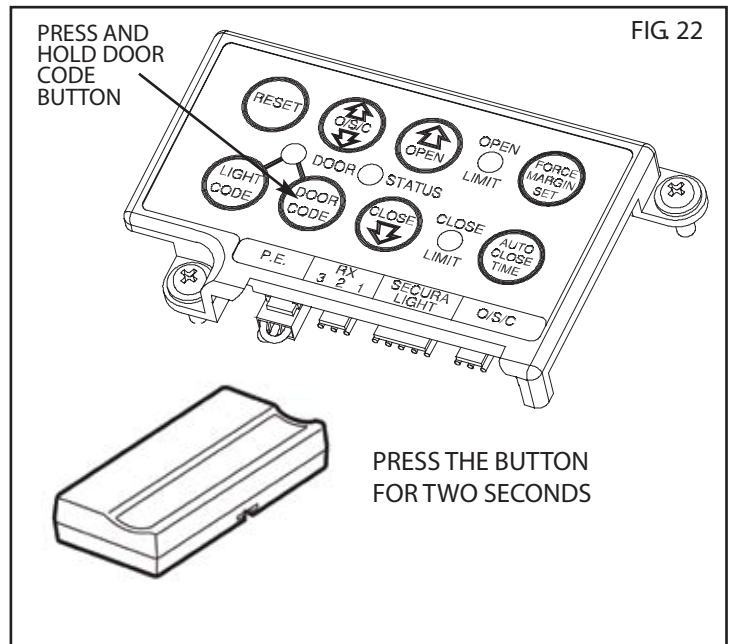
1. Press the DOOR CODE button on the Easylifter opener. The Door Code LED will illuminate to indicate that learn mode is activated. If a valid code is not stored in 15 seconds the Easylifter opener will exit learn mode.

2. SMART CODE TRANSMITTERS ONLY - Press and hold the transmitter button to be programmed until the DOOR CODE LED flashes, indicating it has been learnt.

DIP SWITCH TRANSMITTERS ONLY - Select your dip switch combination of switches by sliding them on or off. Now press and hold the remote control transmitter button to be programmed until the DOOR CODE LED flashes.

3. Release the button on the transmitter - the code is now set.

4. Press the transmitter button to test if it operates the door.



CODING TRANSMITTERS

11. SETTING THE TRANSMITTER TO OPERATE THE COURTESY LIGHT

Although the courtesy light comes on with each operation of the opener, the courtesy light may also be controlled by a remote control transmitter without operating the door. To code one of the remote control transmitter buttons to turn the courtesy light on and off:

- 1 - Press the Light Code button on the opener. The Light Code LED will illuminate and courtesy light will turn on to show that you are learning the code for controlling the courtesy light.
- 2 - Choose a button on the transmitter not already coded to operate the door and press until the Light Code LED flashes.
- 3 - Press the transmitter button to test if it switches on the light.

12. ADJUSTING COURTESY LIGHT TIME

The preset courtesy light time on the Door Opener is 3 minutes. This time can be changed as below.

1. Press and hold the Auto Close Time and Force Margin Set buttons together (Fig. 26)
2. While holding the two buttons, press the green Open button (Fig. 26). Each press will add 10 seconds to the light time.
3. To decrease the time follow step 1 and press the red Close button (Fig. 26). Each press will deduct 10 seconds from the light time.
4. To recall the factory set default light time press and hold the Auto Close Time, Force Margin Set and Reset buttons together for about 2 seconds. (Fig. 26)

13. DELETING PROGRAMMED CODES

13.1 Delete all transmitters codes from the operate channel

1. Press and hold the Door Code button for approximately six seconds
2. The Door Code LED will blink for one second to indicate all codes have been erased
3. Press the transmitter button to ensure it does NOT operate the door

13.1 Delete all transmitters codes from the courtesy light channel

1. Press and hold the Light Code button for approximately six seconds
2. The Light Code LED will blink for one second to indicate all codes have been erased
3. Press the transmitter button to ensure it does NOT operate the courtesy light

FIG 25

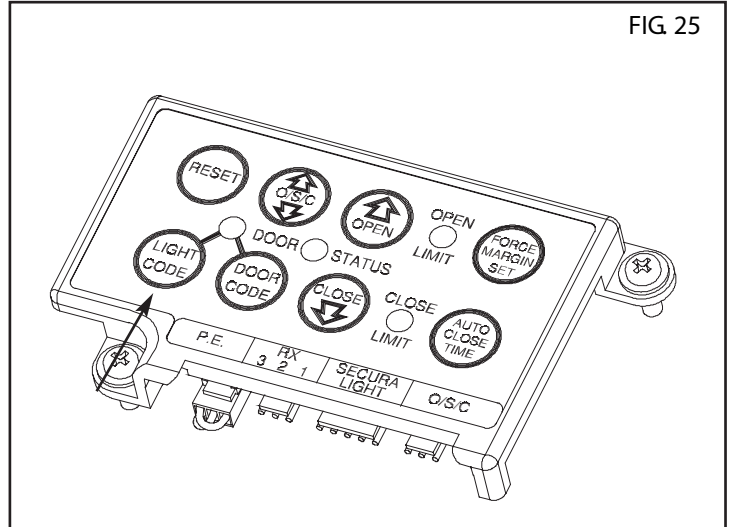


FIG 26

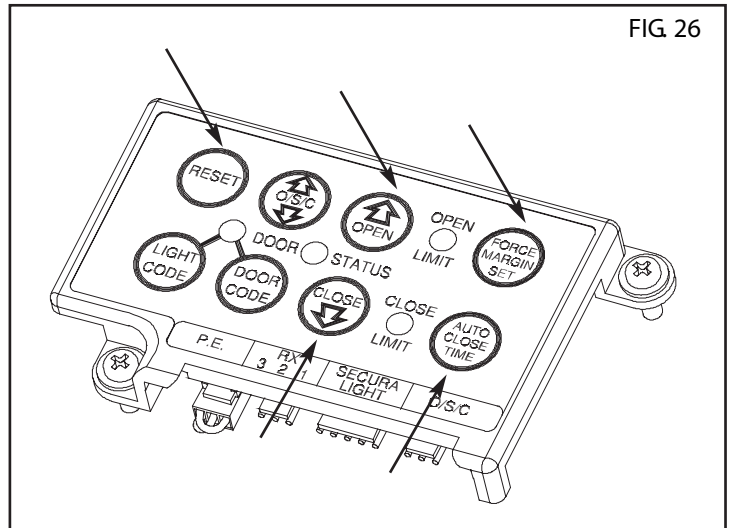
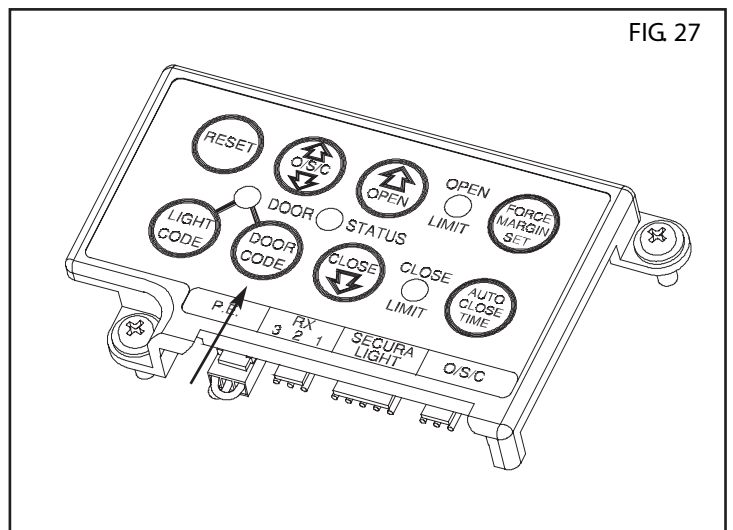


FIG 27



PE BEAM AND AUTO CLOSE

14. FITTING THE SAFETY PHOTO

ELECTRIC BEAM SENSOR (OPTIONAL)

Locate the Photo Electric Beam (P.E.) normally closed contact type in a strategic location within doorway. We recommend 150mm above the floor level and as close as possible to the door opening, inside the garage. Remove shunt from P.E. connector (Fig. 28) and connect the plug from the P.E. wiring harness to P.E. connector (Fig. 29). The wiring diagram is for Model PHBE (Order Code 062153).

Make sure to align the beams correctly. Follow the manual supplied with the Photo Electric Beam.

WARNING; When using Auto Close Mode and P.E. Beams, the doorway must be clear of all obstructions and persons at all times. The location of the beam and manner in which it is installed might not give safety protection at all times. Check to make sure that the height of the beam and type used give maximum protection possible.

15. SETTING AUTO CLOSE TIME

IMPORTANT NOTICE: IT IS COMPULSORY TO INSTALL A PHOTO ELECTRIC BEAM BEFORE USING THE AUTO CLOSE MODE.

The Auto Close timer will only start after the Photo Electric Beams (P.E.) path is broken and the auto close time has been set. If the P.E. path is not broken the door will remain open until the path is broken. If the door opener incurs an obstruction (not from the P.E.) while closing the door will re-open and not auto close until the path of the P.E. beam is broken again.

1. Press and hold the Auto Close Time button (Fig. 28).
2. While holding the Auto Close Time button, press the Open button (Fig. 28). Each press of this button will add five seconds to the auto close delay time.
3. To decrease the delay time follow Step 1 and press the Close button. Each press will deduct five seconds from the auto close time.
4. Press the O/S/C button (Fig. 28) or transmitter to open the door. When the door is fully opened the Open Limit green LED will flash to indicate that the auto close mode is in operation.
5. Break the path of the P.E. Beam momentarily, this will initialise the auto close mode. The door will close once the set auto close time has elapsed.

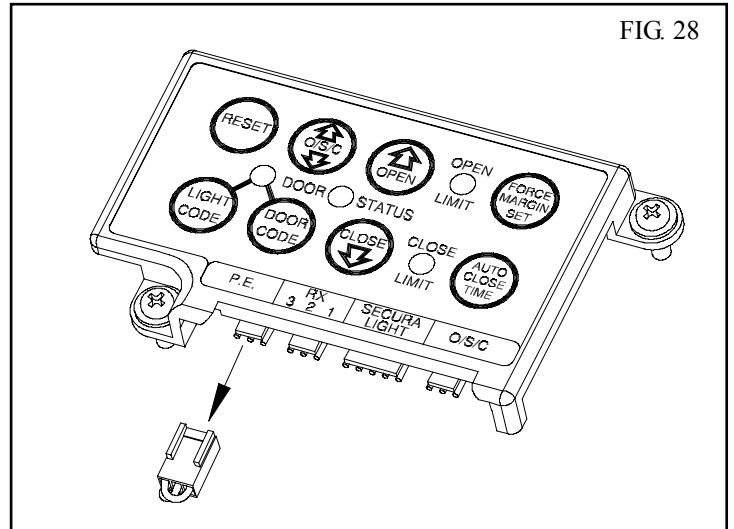


FIG. 28

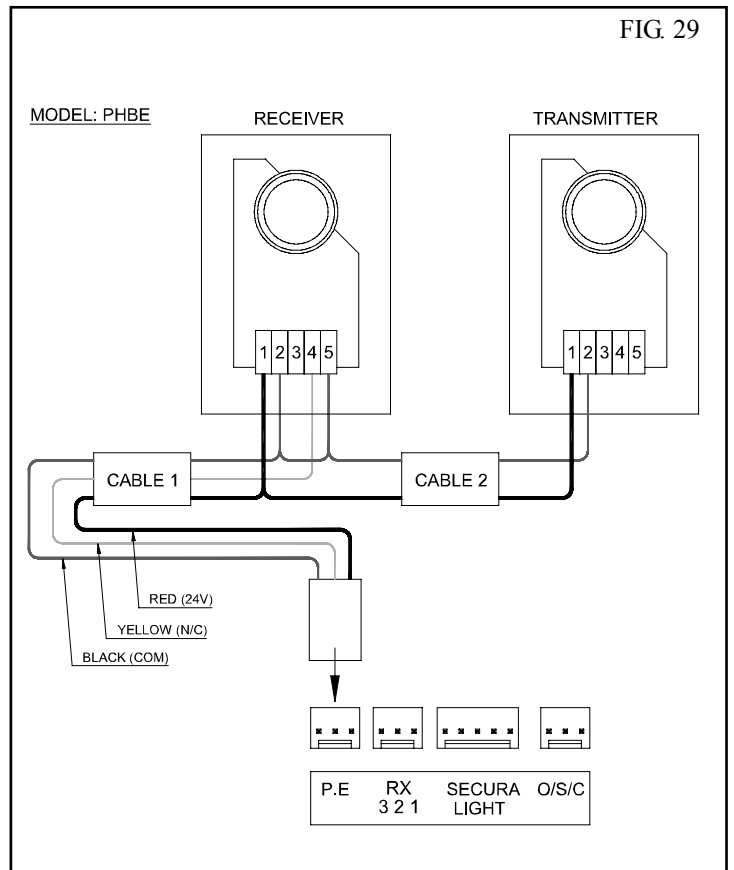


FIG. 29

FACTORY DEFAULT SETTINGS

	DEFAULT	STEP	MAXIMUM
MAXIMUM MOTOR RUN TIME	30 Secs.	—	—
COURTESY LIGHT TIME	3 Mins.	10 Secs.	10 Mins.
OBSTRUCTION FORCE MARGIN	10	1	20
AUTO CLOSE TIME	0 Secs.	5 Secs.	4 Mins.

PARAMETERS & SPECIFICATIONS

DOOR STATUS INDICATORS

DOOR OPENER STATE	OPEN LED GREEN	CLOSE LED RED	DOOR STATUS LED YELLOW	BEEPER
OPEN	ON			
CLOSE		ON		
OPENING	FLASHING			
CLOSING		FLASHING		
DOOR TRAVEL STOPPED	FLASHING	FLASHING		
DOOR OBSTRUCTED WHEN OPENING	FLASHING			
DOOR OBSTRUCTED WHEN CLOSING		FLASHING		BEEPS WHILE DOOR IS MOVING
DOOR OVERLOADED	ALTERNATING FLASHES	ALTERNATING FLASHES		
DOOR IN OPEN POSITION WITH AUTO CLOSE MODE SELECTED	ONE SECOND FLASHES			
MAINS POWER INTERRUPTED	RAPID FLASHES			

TECHNICAL SPECIFICATIONS

INPUT VOLTAGE:	230V- 240V AC 50Hz (Other voltages available upon request e.g. 110V AC 60Hz)
TRANSFORMER PRIMARY VOLTAGE:	230V / 240VAC
SECONDARY VOLTAGE:	24V AC 100 VA
CONTROLLER VOLTAGE:	24V DC
MAXIMUM DOOR OPENING: ^{1,2}	WIDTH: 5100mm
	HEIGHT: 3100mm
RATED LOAD:	200N
OPENER OPENING/CLOSING LIMITS TRAVEL:	3.5 Turns of Door Drum Wheel
OPENER MAXIMUM OPENING/CLOSING RUN TIME:	30 Secs.
RECEIVER TYPE:	UHF 433.92 MHz. AM Receiver
RECEIVER CODE STORAGE CAPACITY:	21 x Transmitter Button Codes <small>(shared between door operate and courtesy light)</small>
TRANSMITTER FREQUENCY:	433.92 MHz
CODING TYPE:	Fixed Code
No. of CODE COMBINATIONS:	Over 3.486 Billion Random Codes
PTX-4 TRANSMITTER BATTERY:	A23 Alkaline 12 Volts
EAT-1 TRANSMITTER BATTERY:	CR1220 Lithium 3 Volts
MOTOR TYPE:	Permanent Magnet Direct Current
MOTOR VOLTAGE:	24V DC
GLOBE:	Festoon Type - 15w 24V DC

Note:

1. The maximum Rolling Door (Domestic) opening that the EasyLifter can be installed on is 5100mm wide by 3100mm high. The door must be well balanced. A person should be able to lift the door up manually with very little effort in case of an emergency.
2. Intermittent operations may occur in areas which experience very strong winds. The strong wind puts extra pressure on the door and tracks which may in turn trigger the safety obstruction detection system intermittently.

TROUBLE SHOOTING

SYMPTOM	POSSIBLE CAUSE	REMEDY
Door will not operate.	Mains power not switched on. Door is obstructed. Door is locked or motor jammed. Door tracks/hardware damaged.	Switch on mains power. Remove obstruction. Unlock door or remove jam. Door requires service/repair by qualified technician.
Door starts to close but automatically reverses to open position.	Adverse weather conditions (wind or cold) causing door to stiffen and become tight in the tracks. Possible obstruction in the doorway.	Increase force margin setting and/or re-initialise the door . See Step 8 on page 11. Remove obstruction.
Door operates from drive unit (O/S/C) button but not from transmitter.* See note.	Transmitter code not stored in memory. Flat Battery.	Code transmitter in to openers memory. Refer Step 8.1 on page 14. Replace battery - A23 Alkaline 12V.
Door will not close fully.	Door limit positions need to be reset.	Reset limit positions. See Step 6 Page 10.
Door will not open fully.	Door limit positions need to be reset.	Reset limit positions. See Step 6 Page 10.
Courtesy light not working.	Globe blown.	Replace globe - festoon type 15W 24V DC.
Globe keeps blowing.	Incorrect globe voltage - must be 24V DC.	Replace globe - festoon type 15W 24V DC.
Auto close not working.	PE Beam or wiring faulty PE Beam not aligned correctly. PE Beam is obstructed. Door obstructed when closing. Auto close time not set.	Repair PE Beam or replace wiring. Re-align optics. Remove obstruction from the path of PE. Remove obstruction. See Step 15 on page 16.

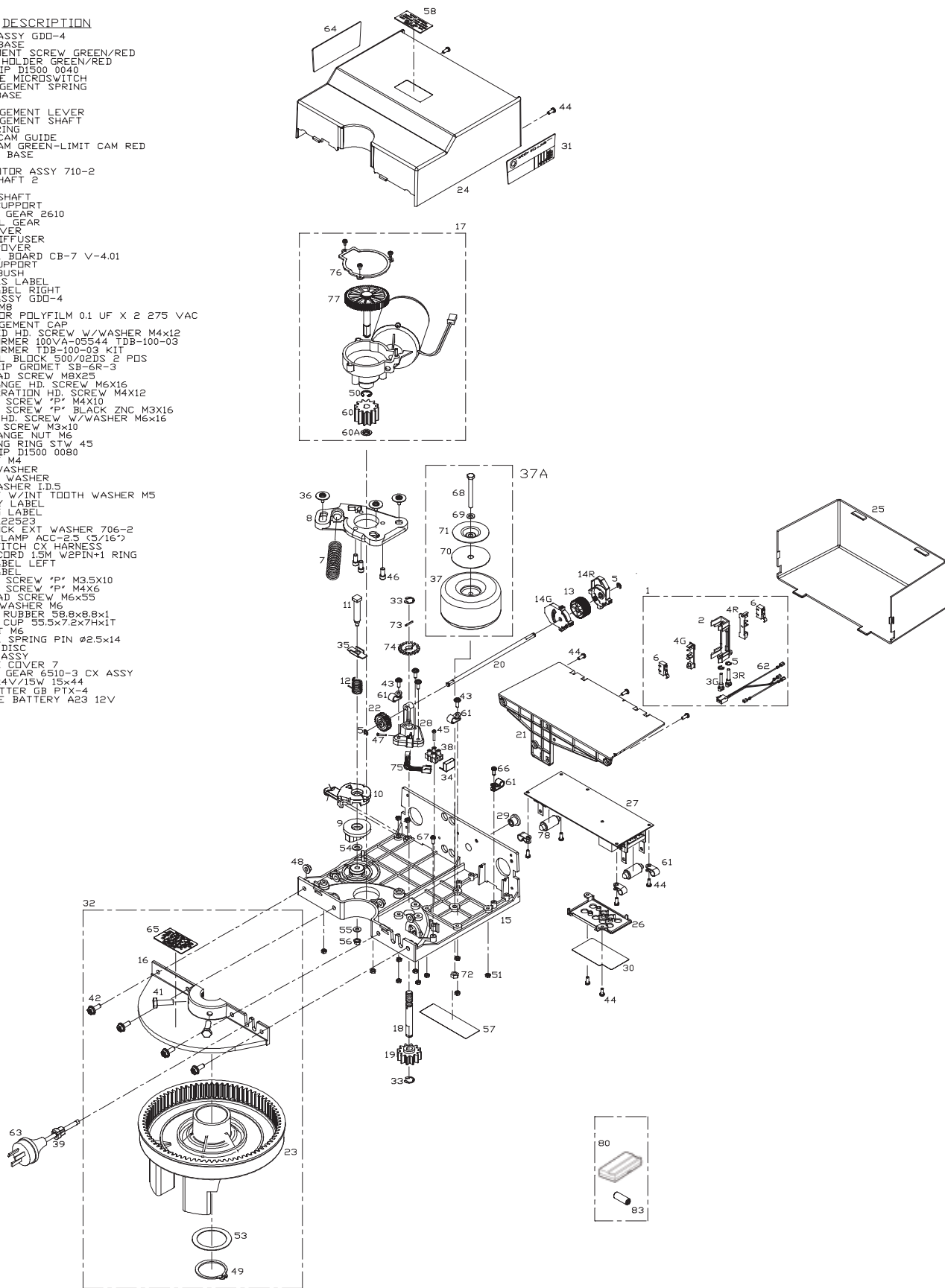
*Please Note: Some areas may be prone to excessive radio interference brought on by devices such as cordless telephones, wireless stereo headphones and baby monitors. It is possible that these devices could cause a degree of interference such as to greatly reduce the range of the transmitter. In such an instance please contact your B&D dealer for an alternative frequency replacement kit. As this is not a warrantable situation but an environmental issue charges may apply for the changeover.

DATE	MAINTENANCE PERFORMED BY	SIGNATURE	AMOUNT	INV. No.

Please Note: Failure to maintain your garage door may void the warranty for your garage door opener.

SPARE PARTS LIST

ITEM NO.	DESCRIPTION
1	LIMITS ASSY GDD-4
2	LIMITS BASE
3	ADJUSTMENT SCREW GREEN/RED
4	SWITCH HOLDER GREEN/RED
5	E CIRCLIP IIS500 0040
6	MINATURE MICROSWITCH
7	DISENGAGEMENT SPRING
8	MOTOR BASE
9	CAM
10	DISENGAGEMENT LEVER
11	DISENGAGEMENT SHAFT
12	CAM SPRING
13	LIMITS CAM GUIDE
14	LIMIT CAM GREEN-LIMIT CAM RED
15	PLASTIC BASE
16	CLAMP
17	GEAR MOTOR ASSY 710-2
18	WORM SHAFT 2
19	GEAR 1
20	LIMITS SHAFT
21	BOARD SUPPORT
22	HELICAL GEAR 2610
23	INTERNAL GEAR
24	MAIN COVER
25	LIGHT DIFFUSER
26	BOARD COVER
27	CONTROL BOARD CB-7 V-4.01
28	WORM SUPPORT
29	LIMITS BUSH
30	CONTROLS LABEL
31	LOGG LABEL RIGHT
32	CLAMP ASSY GDD-4
33	E RING M6
34	CAPACITOR POLYFILM 01 UF X 2 275 VAC
35	DISENGAGEMENT CAP
36	SERRATED HD SCREW W/WASHER M4x12
37	TRANSFORMER 100VA-05544 TDB-100-03
37A	TRANSFORMER TDB-100-03 KIT
38	TERMINAL BLOCK 500/02DS 2 PDS
39	CORD GRIP GROMMET SB-GR-3
41	HEX HEAD SCREW MBX25
42	HEX FLANGE HD SCREW M6x16
43	PAN SERRATION HD SCREW M4x12
44	TAPTITE SCREW "P" M4X10
45	TAPTITE SCREW "P" BLACK ZNC M3X16
46	BUTTON HD SCREW W/WASHER M6x16
47	PAN HD SCREW M3x10
48	HEX FLANGE NUT M6
49	RETAINING RING STW 45
50	E CIRCLIP IIS500 0080
51	HEX NUT M4
53	CLAMP WASHER
54	SPECIAL WASHER
55	FLAT WASHER I.D.5
56	HEX NUT W/INT TOOTH WASHER M5
57	IDENTITY LABEL
58	WARNING LABEL
60	PINION 122523
60A	SELF LOCK EXT WASHER 706-2
61	CABLE CLAMP ACC-2.5 (5/16")
62	MICROSWITCH CX HARNESS
63	POWER CORD 1.5M W2PIN-1 RING
64	LOGG LABEL LEFT
65	CORD LABEL
66	TAPTITE SCREW "P" M3.5X10
67	TAPTITE SCREW "P" M4X6
68	HEX HEAD SCREW M6x55
69	SPRING WASHER M6
70	WASHER RUBBER 58.8x8.8x1
71	WASHER CUP 55.5x7.2x7Hx1T
72	HEX NUT M6
73	SEL-LCK SPRING PIN Ø2.5x14
74	SENSOR DISC
75	SENSOR ASSY
76	GEARBOX COVER 7
77	HELICAL GEAR 6510-3 CX ASSY
78	GLOBE 24V/15W 15x44
80	TRANSMITTER GB PTX-4
83	ALKALINE BATTERY A23 12V



WARRANTY

1. Definitions

'B&D' means

(a) in Australia - B&D Doors of 17 Oasis Court, Clontarf, Queensland, 4019, a division of B&D Australia Pty Ltd (ABN 25 010 473 971), or

(b) in New Zealand - B&D Doors NZ Ltd of 70 Allens Road East Tamaki Auckland, which is a subsidiary of B&D Australia Pty Ltd.

'Purchaser' means the purchaser of the Opener.

'Opener' means the 'Easylifter Automatic Garage Door Opener'

'Authorised Distributor' means an approved B&D distributor of the Opener.

'Major Components' means all components of the Opener that make up the power head that is attached to a garage door.

'Ancillary Components' means all components of the Opener which are not Major Components.

'Manufacturer's Written Instruction Manual' means the instruction manual provided with the Opener.

2. This warranty applies to every sale of an Opener to a Purchaser by B&D or its approved distributor, and is the only warranty given on behalf of B&D.
3. B&D warrants that it will, at its option, either repair or replace any defects:
 - (i) in materials or workmanship in the Opener, subject to the following:
 - (a) for Major Components of the Opener that are installed by B&D or an approved distributor the warranty shall be valid for a period of twelve (12) months;
 - (b) for Major Components of the Opener that are not installed by B&D or an approved distributor the warranty shall be valid for a period of twelve (12) months, provided that all costs of disconnection, reinstallation and freight shall be borne by the Purchaser.for Ancillary Components of the Opener the warranty shall be valid for a period of twelve (12) months.
 - (ii) in installation for a period of twelve (12) months from the date of installation where the Opener has been installed by B&D or its Authorised Distributor.
4. The warranties provided in clause 3(i) shall only apply to an Opener which is being used under normal use and service in accordance with the Manufacturer's Written Instruction Manual and are limited to the repair or replacement, at B&D's option, of any defective Opener or parts thereof.
5. The warranty provided in clause 3(i) shall apply from:
 - (i) the date of delivery of the Opener by B&D; or
 - (ii) the date of installation of the Opener by B&D or one of its authorised installers; or
 - (iii) the date of purchase of the Opener by the Purchaser;whichever is the later.
6.
 - (i) Where the Opener has been sold to the Purchaser by B&D, the Purchaser shall make all warranty claims hereunder directly with B&D;
 - (ii) Where the Opener has been sold to the Purchaser by an Authorised Distributor, the Purchaser shall make all warranty claims hereunder directly with the Authorised Distributor.
7. The Purchaser will pay for any service call made by B&D or an Authorised Distributor where such a call is made for the purpose of adjustment (as described in the Manufacturers Written Instruction Manual) and not for rectification of a defect pursuant to the warranty hereunder.
8.
 - (i) The Purchaser shall be responsible for any expense incurred by B&D or an Authorised Distributor in ensuring that the Opener is readily accessible for any repair work carried out under this warranty.

Where an Opener is installed outside a capital city metropolitan area and a warranty claim is made pursuant to this warranty, any travelling expenses and costs of transporting the Opener, incurred by B&D or its Authorised Distributor, shall be borne by the Purchaser.

WARRANTY

9. Subject to paragraph 12 hereof;
- (i) the obligations of B&D under this warranty are limited to those contained herein and such warranties are expressly in lieu of all other warranties, express or implied, including any implied warranty of merchantability or fitness for a particular purpose and notwithstanding any course of dealing between the parties or custom and usage in the trade to the contrary.
 - (ii) B&D shall not be subject to nor incur and the Purchaser releases B&D from any claim or liability (including consequential loss or damage and loss or use or profit) by reason of delay, defective or faulty materials or workmanship, negligence or any act, matter or thing done, admitted or omitted by B&D.
10. Subject to Clause 12 hereof, this warranty does not extend to and B&D will be relieved of all obligations, responsibilities and liabilities (direct or consequential) in the event that defects in manufacture of the Opener are directly or indirectly in the opinion of B&D due to or result from:
- (i) being fitted to any door or other closing device which is not of the type or condition defined in the Manufacturers Written Instruction Manual as suitable for installation of the Opener.
 - (ii) Lack of proper maintenance or care – failure to have the door serviced annually may void this warranty.
 - (iii) Incorrect and unreasonable use.
 - (iv) Faulty installation or adjustment of the Opener or door to which the Opener is connected where such installation or adjustment is not carried out by B&D or one of its Authorised B&D Distributors.
 - (v) Failure to observe any instructions or directions provided with the Opener or given to the Purchaser by B&D or an Authorised Distributor.
 - (vi) Modifications or repairs made or attempted to be made by any unauthorised person.
 - (vii) Faulty electrical wiring of structures to which the Opener is affixed.
 - (viii) Radio (including citizen band transmissions) or other electronic interference.
 - (ix) Water damage, including effects from rust and corrosion.
 - (x) Use with doors locked.
11. The warranty contained in Clause 3 does not cover batteries or globes and B&D shall not be liable for any defect, malfunction or failure of such items.
12. It is expressly provided that the warranties or any terms and conditions of them or other statement contained in this document or other literature given to the Purchaser shall not be read or applied so as to purport to exclude, restrict or modify or have the effect of excluding, restricting or modifying the application in relation to the supply of the Opener of all or any of the provisions of Divisions 2 and 2A of Part V of the Trade Practices Act, 1974, or the Consumer Guarantees Act 1993 if the purchase is a 'consumer' and purchased the opener in New Zealand, ("The Act") as amended or the exercise of a right conferred by such a provision or any other condition or warranty implied by any relevant State Act or Territorial Ordinance or by the general law and which by law cannot be excluded, restricted or modified provided that to the extent that the Act permits B&D to limit its liability for a breach of condition or warranty implied by the Act, B&D's liability for such breach shall be limited to the payment of the cost of replacing the Opener or acquiring an equivalent Opener or repairing the Opener.
13. This warranty shall be governed by and construed in accordance with Australian law if the opener was purchased in Australia, or New Zealand law if the opener was purchased in New Zealand
14. Upon making a claim under this warranty the purchaser must produce proof of the date of purchase, together with the details set out below:

<p>Purchased From: _____</p> <p>Installed By: _____</p> <p>Installed Date: _____</p>
--

The Purchaser shall complete this certificate and keep it together with a copy of the receipt of purchase in a safe place – production of such information will assist the handling of a claim made under this warranty.

QLD Office:	17 Oasis Court, Clontarf 4019.	Ph: (07) 3883 0200
NSW Office:	34-36 Marigold St, Revesby 2212.	Ph: (02) 9722 5555
VIC/TAS Office:	147-153 Canterbury Road, Kilsyth 3137.	Ph: (03) 9237 7766
SA Office:	23 Frederick Road, Royal Park 5014.	Ph: (08) 8440 4747
WA Office:	96 Mulgul Drive, Malaga 6090.	Ph: (08) 9247 8777
NZ Office:	70 Allens Road, East Tamaki, Auckland. www.bnd.co.nz	Ph: (09) 273 8600

B&D Doors is a Division of B&D Australia Pty Limited - ABN 25 010 473 971
www.bnd.com.au