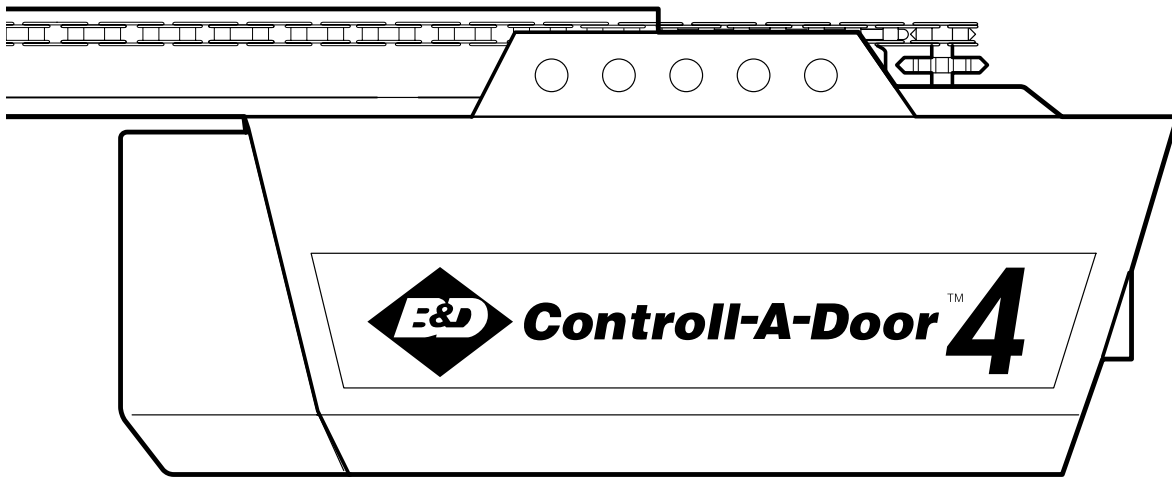


# **Controll-A-Door™ 4**

## **INSTRUCTIONS**



*with 433MHz Radio Controls*

**NSW Office:** B&D Australia  
34-36 Marigold Street  
Revesby 2212  
(02) 9722 5555

**SA Office:** B&D Australia  
23 Frederick Road  
Royal Park 5014  
(08) 8447 4747

**QLD Office:** B&D Australia  
37-47 Cobalt Street  
Carole Park 4300  
(07) 3271 7000

**WA Office:** B&D Australia  
96 Mulgool Drive  
Malaga 6062  
(08) 9247 8777

**VIC/TAS Office:** B&D Australia  
147-153 Canterbury Road  
Kilsyth 3137  
(03) 9237 7766

**B&D Doors  
New Zealand:** 70 Allens Road  
East Tamaki  
Auckland, New Zealand  
(09) 273 8600

---

# TABLE OF CONTENTS

|   |       |  |       |
|---|-------|--|-------|
| <i>Introduction</i>                                     | 2-7   | <i>Adjustment Section</i>                      | 25-27 |
| Safety rule review.....                                 | 2     | Adjust the travel limits.....                  | 25    |
| Preparing your garage door.....                         | 3     | Adjust the force.....                          | 26    |
| Tools needed.....                                       | 3     | Test the safety reverse system.....            | 27    |
| Planning.....   | 4-5   | Testing the safety infra-red beam sensors..... | 27    |
| Carton inventory.....                                   | 6     | <i>Operation</i>                               | 28-30 |
| Hardware inventory.....                                 | 7     | Operation safety instructions.....             | 28    |
| <i>Assembly</i>   | 8-11  | Using your garage door opener.....             | 28    |
| Assemble the rail & attach the chain pulley bracket...8 |       | To open the door manually.....                 | 29    |
| Install the trolley.....                                | 9     | Care of your opener.....                       | 29    |
| Fasten rail to motor unit.....                          | 9     | Troubleshooting.....                           | 30    |
| Install chain & attach chain spreader.....              | 10    | <i>Programming</i>                             | 31    |
| Set the chain tension.....                              | 11    | To code a hand-held remote control.....        | 31    |
| <i>Installation</i>                                     | 11-27 | To erase all codes.....                        | 31    |
| Installation safety instructions.....                   | 11    | Multi-function remotes.....                    | 31    |
| Determine the header bracket location.....              | 12-13 | <i>Warranty</i>                                | 32    |
| Install the header bracket.....                         | 14    |  |       |
| Attach the rail to the header bracket.....              | 15    |  |       |
| Position the opener.....                                | 16    |  |       |
| Hang the opener.....                                    | 17    |  |       |
| Install the wall control.....                           | 18    |  |       |
| Wiring instructions for optional accessories.....       | 18    |  |       |
| Install the light globe.....                            | 19    |  |       |
| Attach the emergency release rope and handle.....       | 19    |  |       |
| Connect electric power.....                             | 20    |  |       |
| Installing the safety infra-red beam sensors.....       | 20    |  |       |
| Fasten the door bracket.....                            | 21-22 |  |       |
| Connect door arm to trolley.....                        | 23-24 |  |       |

---

## INTRODUCTION

### *Safety Rule Review*

This garage door opener is designed and tested to offer safe service provided it is installed, operated, maintained and tested in strict accordance with the warnings, safety instructions and instructions contained in this manual.

 **WARNING**

**Mechanical**

 **WARNING**

**Electrical**

**CAUTION**

When you see these Safety Symbols and Signal Words on the following pages, they will alert you to the possibility of **serious injury or death** if you do not comply with the corresponding instructions. The hazard may come from something mechanical or from electric shock. Read the instructions carefully.

When you see this Signal Word on the following pages it will alert you to the possibility of damage to your garage door and/or the garage door opener if you do not comply with the corresponding instructions. Read them carefully.

## Preparing your garage door

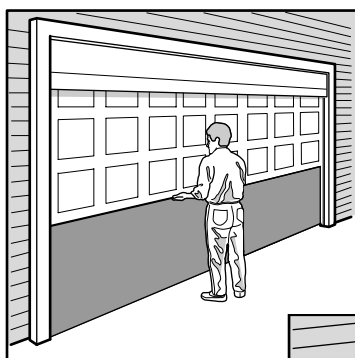
- Disable locks. Insert wood screws or nails to keep them unlocked.
- Remove any ropes connected to garage door.

### TESTING YOUR DOOR

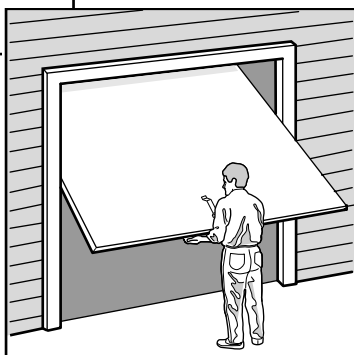
Before you begin, complete the following test to make sure your door is balanced and is not sticking or binding:

- Lift the door about halfway as shown. Release the door. It should stay in place, supported entirely by its springs.
- Raise and lower the door to see if there is any binding or sticking.

If your door binds, sticks, or is out of balance, call for professional garage door service.



Sectional Door



One-Piece Door

## ⚠ WARNING

To prevent possible **SERIOUS INJURY OR DEATH**:

- Always call for professional B&D garage door service if garage door binds, sticks, or is out of balance. An unbalanced garage door might not reverse when required.
- NEVER try to loosen, move, or adjust garage door, door springs, cables, pulleys, brackets or their hardware, all of which are under **EXTREME** tension.
- Disable **ALL** locks and remove all ropes connected to garage door before installing and operating garage door opener to avoid entanglement.
- This unit should not be installed in a damp or wet space.
- The door must not extend over public byway during operation.
- This product is provided with a power supply cord of special design which, if damaged, must be replaced by a power supply cord of the same type; such a power supply cord may be obtained from you local B&D distributor and must be fitted by a specialist.

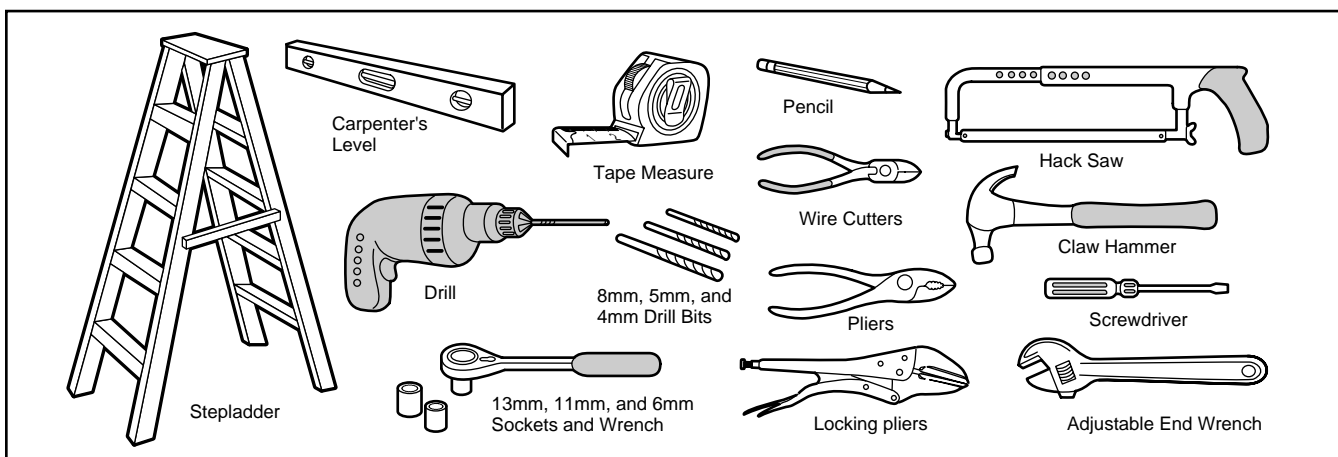
## CAUTION

To avoid damage to the garage door and opener, disable locks before installing and operating the opener. Use a wood screw or nail to hold locks in the "open" (unlocked) position.

Operation at other than 230V/50 Hz will cause opener malfunction and damage.

### Tools needed

During assembly, installation and adjustment of the opener, instructions will call for hand tools as illustrated.



## Planning

Identify the type and height of your garage door. Survey your garage area to see if any of the conditions below apply to your installation. Additional materials may be required. You may find it helpful to refer back to this page and the accompanying illustrations as you proceed with the installation of your opener.

Depending on your requirements, there are several installation steps which may call for materials and/or hardware not included in the carton.

- Installation Step 1 – Look at the wall or ceiling above the garage door. The header bracket must be securely fastened to structural supports.
- Installation Step 5 – Do you have a finished ceiling in your garage? If so, a support bracket and additional fastening hardware may be required.

**B&D recommends the use of safety infra-red beam sensors on all installations of automatic garage door openers.**

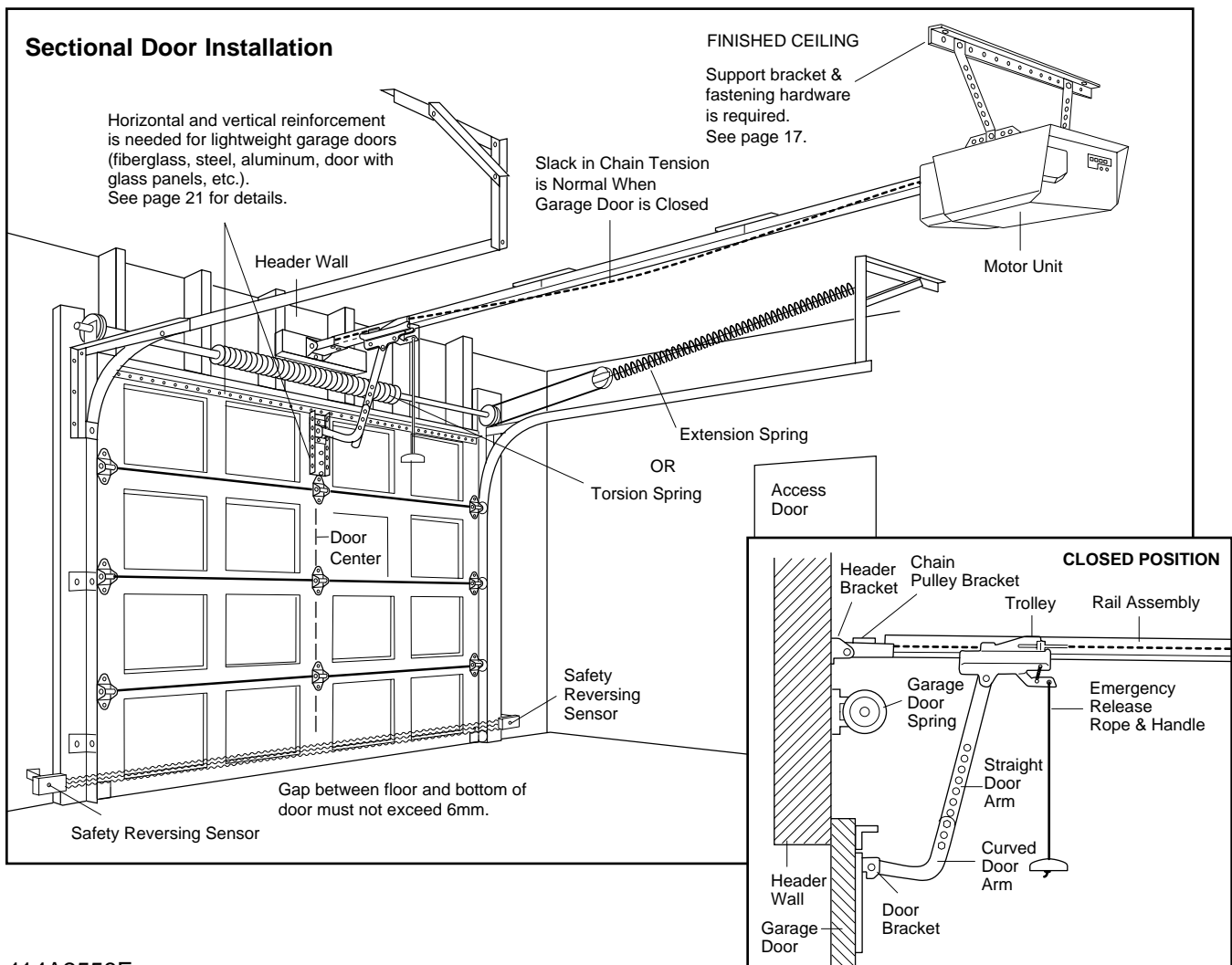
- Installation Step 10:
  - Depending upon garage construction, extension brackets or wood blocks may be needed to install the safety infra-red beam sensors.

– Alternate floor mounting of the safety infra-red beam sensors will require hardware not provided.

- Do you have an access door in addition to the garage door? If not, Model T7012 Emergency Access Device is required.

## SECTIONAL DOOR INSTALLATIONS

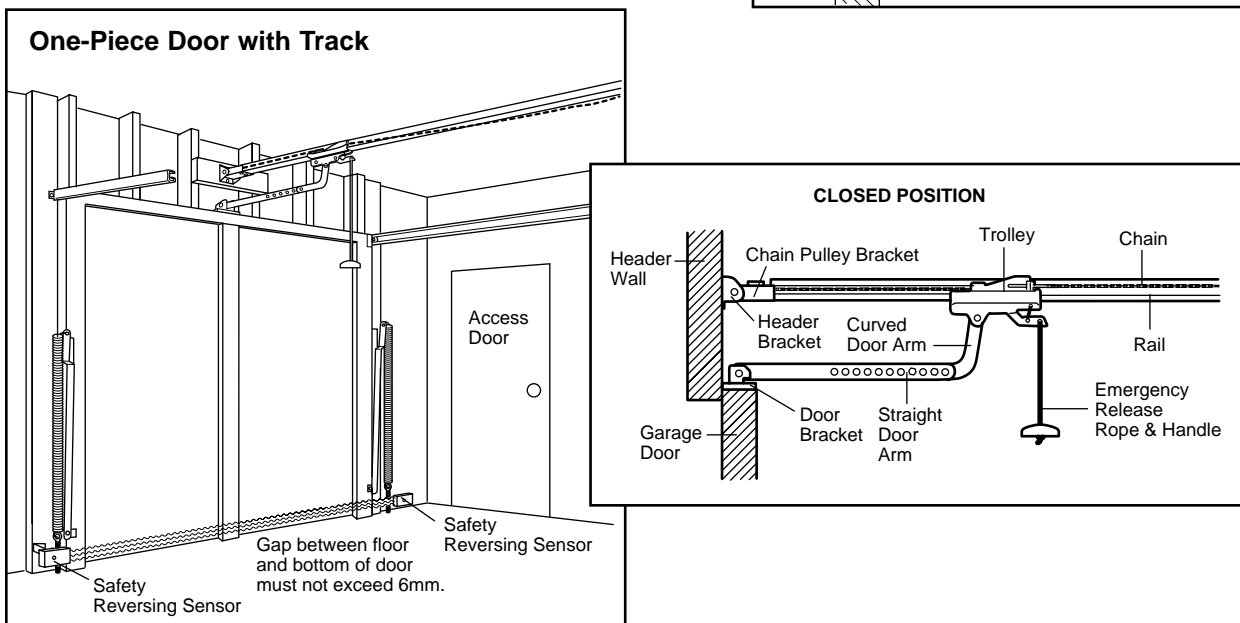
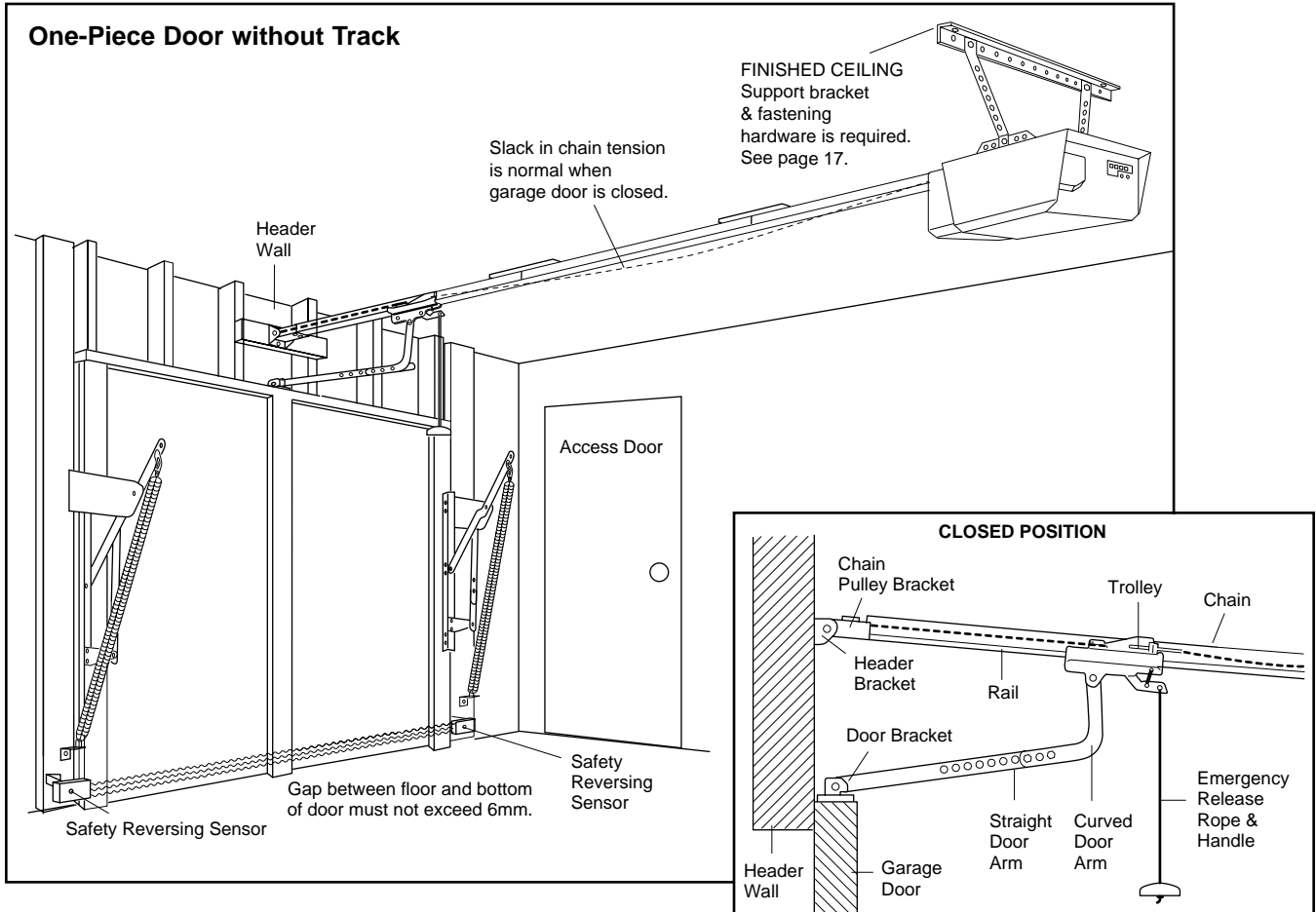
- Do you have a steel, aluminum, fiberglass or glass panel door? If so, horizontal and vertical reinforcement is required (Installation Step 11).
- The opener is normally installed at the center of the door. If there is a torsion spring or center bearing plate in the way of the header bracket or door bracket area, the opener may be installed within 300mm to the left or right of the door center. See Installation Steps 1 and 11.
- Look at the garage door where it meets the floor. It must close on the floor all the way across. Otherwise, the safety reverse system may not work properly. See Adjustment Step 3. Floor or door should be repaired.



## ONE-PIECE DOOR INSTALLATIONS

- Generally, a one-piece door does not require reinforcement. If your door is lightweight, you can refer to the information relating to sectional doors in Installation Step 11.
- Depending on your door's construction, you may need additional mounting hardware for the door bracket (Step 11).

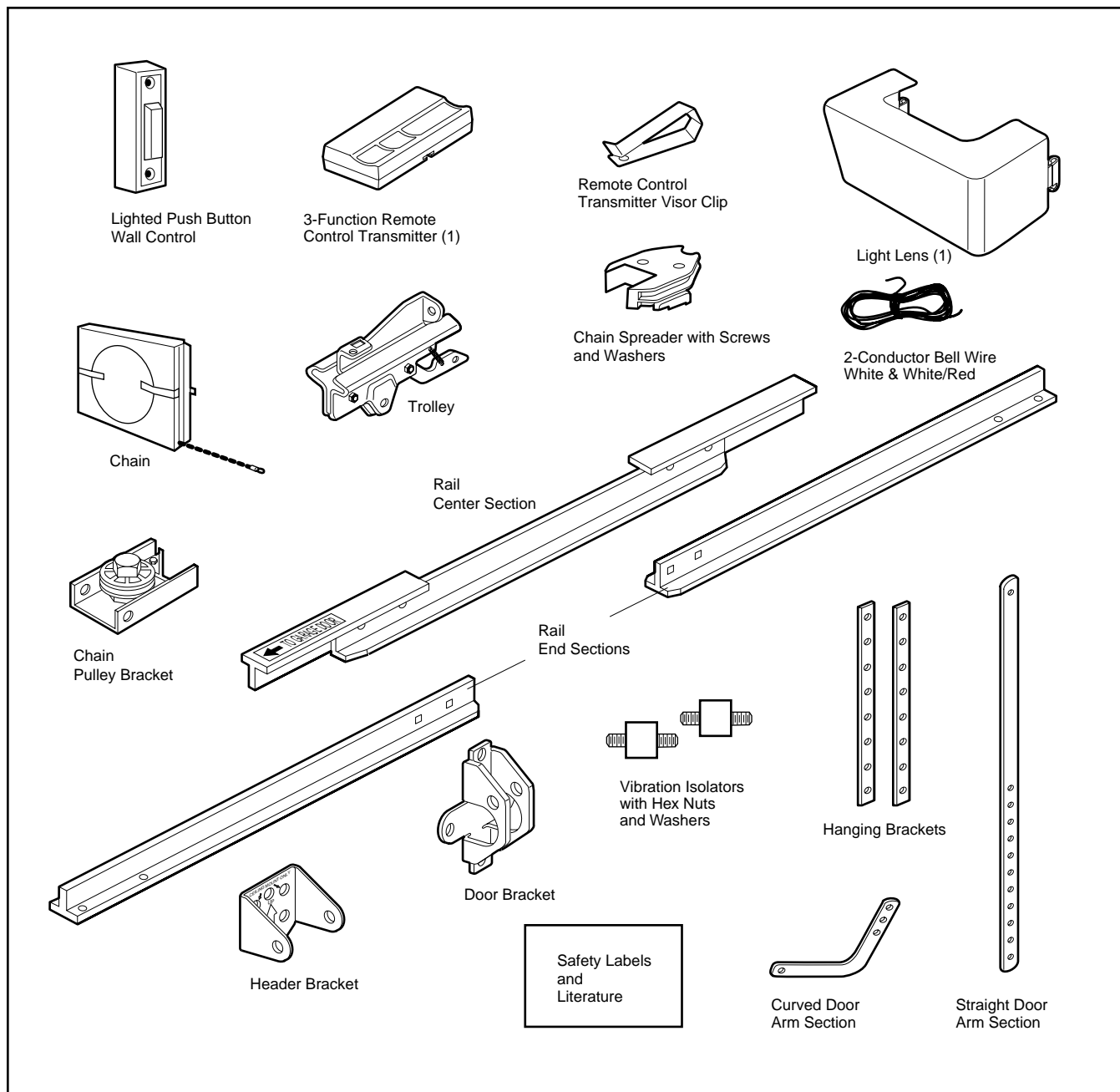
- The gap between the bottom of the garage door and the floor cannot exceed 6mm. Otherwise, the safety reverse system may not work properly. See Adjustment Step 3. The floor or the door should be repaired.



## Carton Inventory

Your garage door opener is packaged in two cartons which contains the motor unit and the parts illustrated below. If anything is missing, carefully check the packing material. Parts may be stuck in the foam.

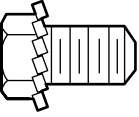

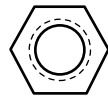
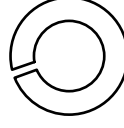
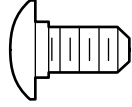
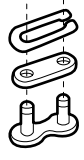
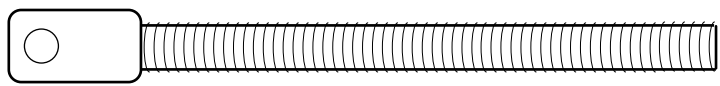
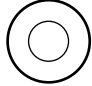
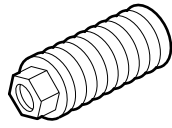
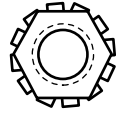
Hardware for assembly and installation is shown on the next page. Save the carton and packing material until installation and adjustment is complete.



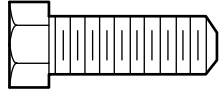
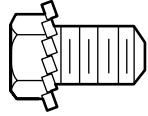
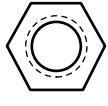
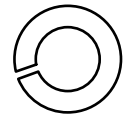
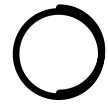
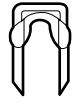

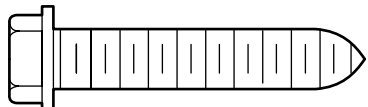
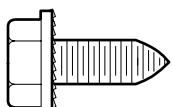

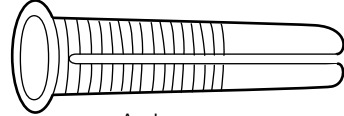
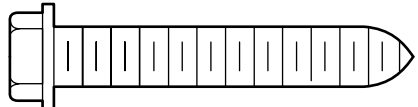

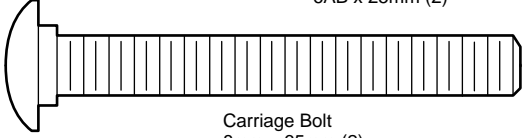

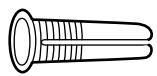
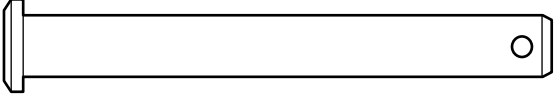
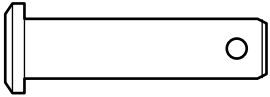
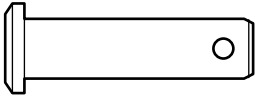
# Hardware Inventory

Separate all hardware and group as shown below for the assembly and installation procedures.

### ASSEMBLY

|   |  |   |   |  |   |
|---|--|---|---|--|---|
| <br>Washed Screw 25mm (2)<br>(mounted in opener) | <br>Hex Screw (2) | <br>Nut<br>8mm (2)   | <br>Lock Washer<br>8mm (2)  | <br>Carriage Bolts (4)<br>6mm-20 x 13mm | <br>Master<br>Link (2) |
| <br>Trolley Threaded Shaft (1)                   |  | <br>Flat Washer (2) | <br>Spring/Trolley Nut (1) | <br>Lock Nut<br>6.35mm (4)              |   |

### INSTALLATION

|   |   |   |   |  |   |  |
|---|---|---|---|--|---|--|
| <br>Hex Screw<br>8mm x 20mm (5)  | <br>Washed Screw 25mm (2)<br>(mounted in opener) | <br>Nut<br>8mm (9)                 | <br>Lock Washer<br>8mm (8)           | <br>Ring Fastener (3)         | <br>Insulated<br>Staples | <br>Rope |
| <br>Lag Screw<br>8mm x 40mm (4)  | <br>Sheet Metal Screw<br>8mm x 13mm (2)          | <br>Rail Grease                   |   | <br>Anchors<br>8mm x 40mm (4) |   |  |
| <br>Lag Screw<br>8mm x 45mm (2)  | <br>Screw<br>6AB x 25mm (2)                     |   | <br>Carriage Bolt<br>8mm x 65mm (2) | <br>NOTICE<br>Handle          | <br>Dry Wall Anchors (2) |  |
| <br>Clevis Pin<br>8mm x 71mm (1) | <br>Clevis Pin<br>8mm x 30mm (1)                | <br>Clevis Pin<br>8mm x 25mm (1) |   |  |   |  |

# ASSEMBLY STEP 1

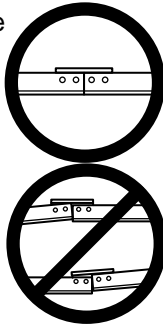
## Assemble the Rail and Attach the Chain Pulley Bracket

To avoid installation difficulties, do not run the garage door opener until instructed to do so.

1. Align the three rail sections on a flat surface exactly as shown. The end sections are identical. Make sure the "arrow label" on the center section is pointing toward the door.

2. Insert the carriage bolts so the square bolt necks seat in the square holes in the rail sections and pass through the round holes in the rail braces.

**Make sure bolt necks are seated in the square holes and rails are aligned before you tighten lock nuts.** Improper assembly can cause jerky trolley operation, noise and/or nuisance door reversals.

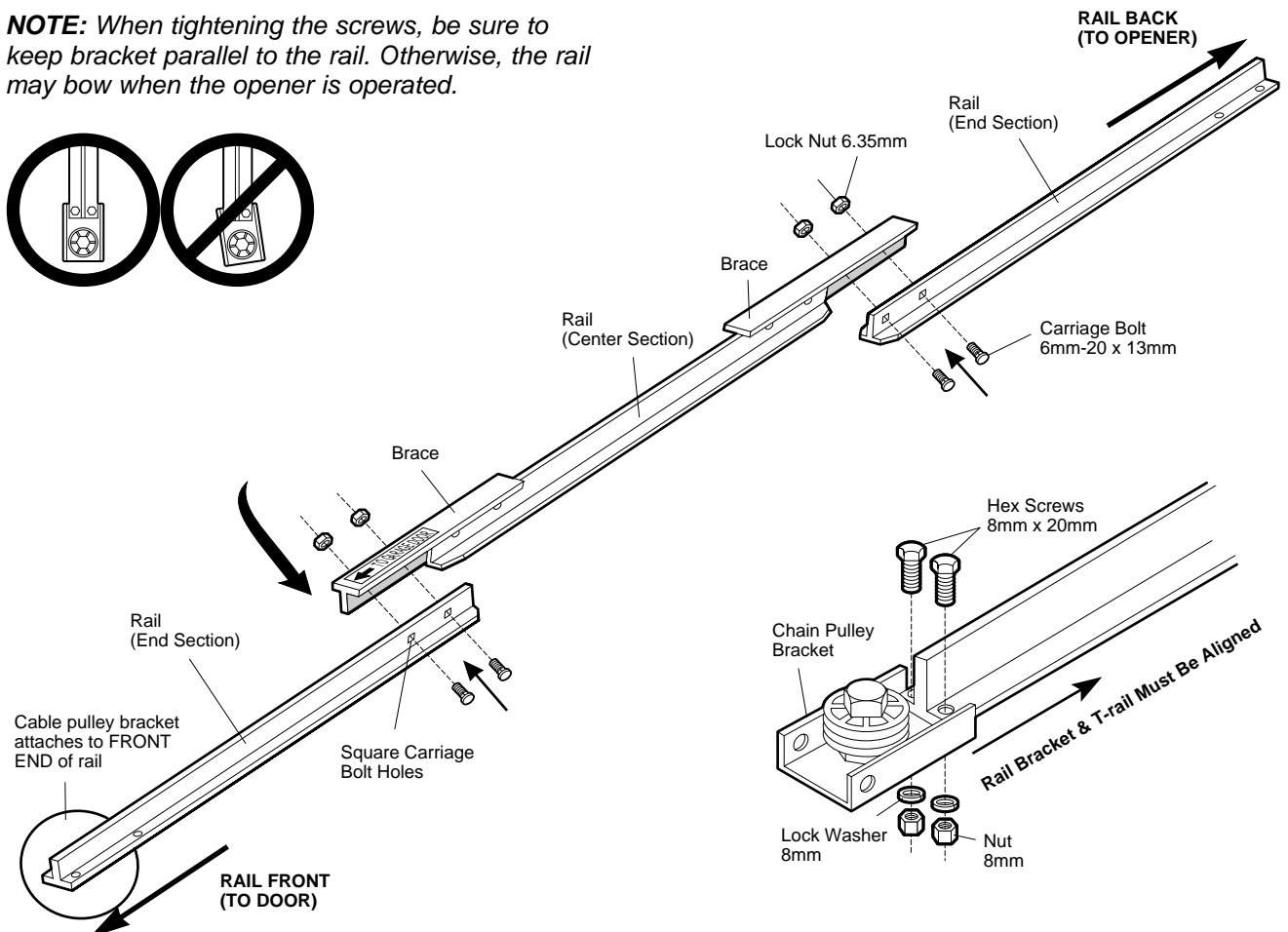
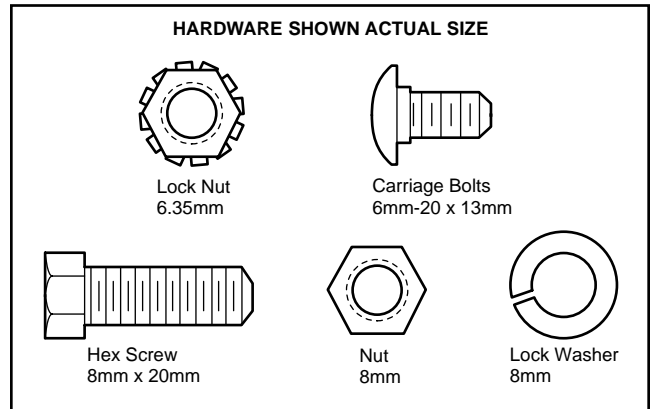
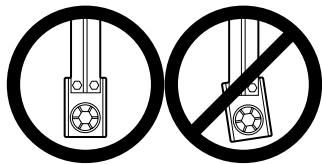


3. Assemble lock nuts, ensure alignment and tighten.

**NOTE:** If rail is not assembled exactly as shown, trolley will not travel smoothly along length of rail or it will hit against nuts.

4. Position the chain pulley bracket on the front end of the rail as shown. Fasten securely with the hardware shown.

**NOTE:** When tightening the screws, be sure to keep bracket parallel to the rail. Otherwise, the rail may bow when the opener is operated.



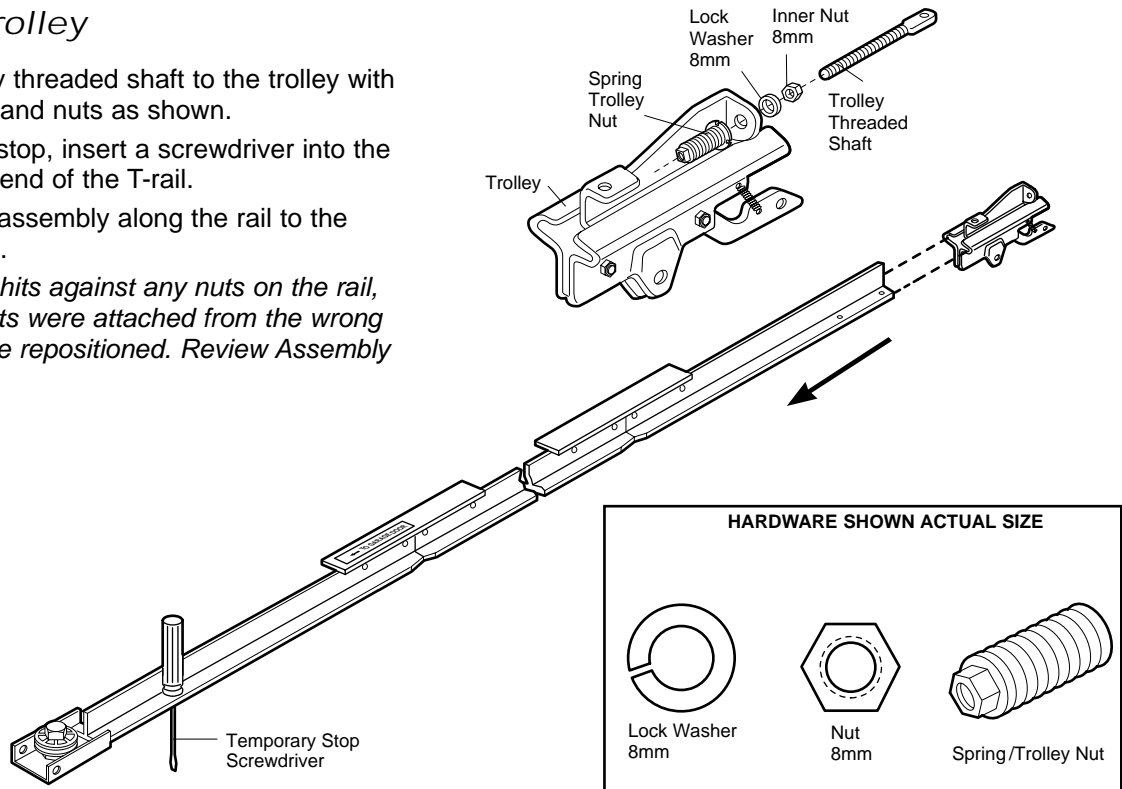


## ASSEMBLY STEP 2

### Install the Trolley

- Attach the trolley threaded shaft to the trolley with the lock washer and nuts as shown.
- As a temporary stop, insert a screwdriver into the hole in the front end of the T-rail.
- Slide the trolley assembly along the rail to the screwdriver stop.

**NOTE:** If trolley hits against any nuts on the rail, the bolts and nuts were attached from the wrong side and must be repositioned. Review Assembly Step 1.



## ASSEMBLY STEP 3

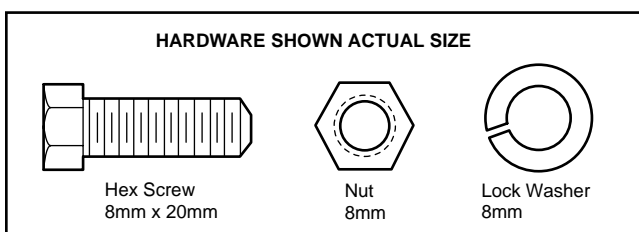
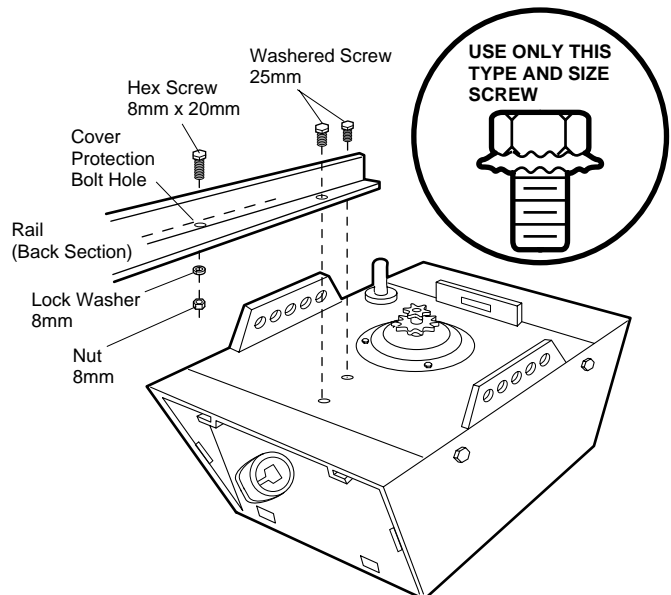
### Fasten the Rail to the Motor Unit

- Place the opener on packing material to protect the cover. For convenience, put a support under the cable pulley bracket.
- Remove the two 25mm washered screws mounted in the top of the motor unit.
- Align the holes in the back section of the rail with the holes in the motor unit.
- Fasten the rail with the two washered screws previously removed. Tighten securely. **Remember to use only these screws! Any other screws will cause serious damage to the opener.**
- Insert a 8mm x 20mm hex screw into the cover protection bolt hole in the rail as shown. Tighten securely with a 8mm lock washer and nut.

**NOTE:** This screw prevents trolley over-travel. Keep a 2" minimum between the trolley and this screw when adjusting travel limits (see page 28).

**CAUTION**

To avoid serious damage to opener, ONLY use screws mounted in top of motor unit.



## ASSEMBLY STEP 4

### *Install the Chain & Attach the Chain Spreader*

1. Line up the holes in the chain spreader with the holes in the motor unit as shown. The slot in the chain spreader must fit over the flange.
2. Securely fasten the chain spreader with the hardware provided.
3. Install the chain around the chain pulley and toward the trolley.
4. Connect the chain to the retaining slot on the trolley, as shown:
  - From below, push pins of master link bar up through cable loop and trolley slot.
  - Push master link cap over pins and past pin notches.
  - Slide clip-on spring over cap and onto pin notches until both pins are securely locked in place.
5. With the trolley against the screwdriver, dispense the remainder of the chain along the rail toward the motor unit. Guide the chain around the selected groove in the chain spreader (to engage either the 8-tooth sprocket or the 6-tooth sprocket) as shown. The sprocket teeth must engage the chain.

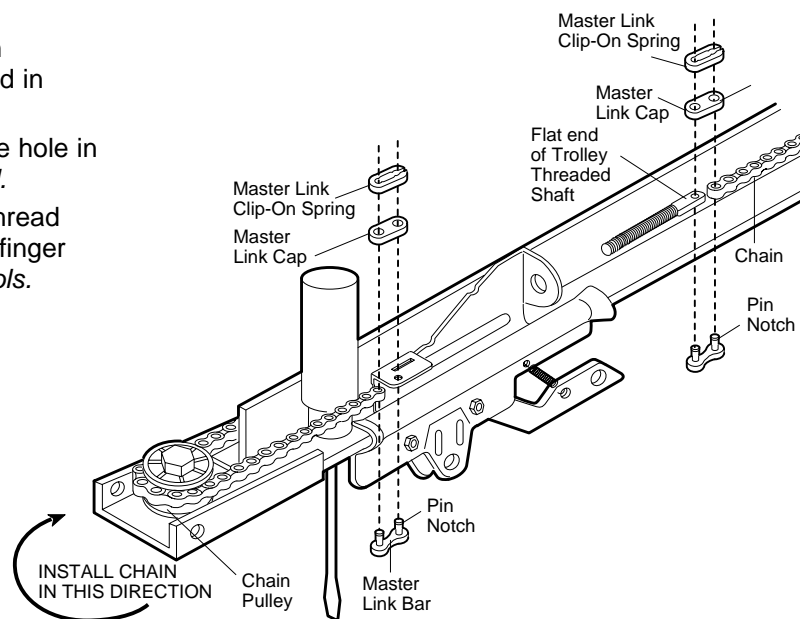
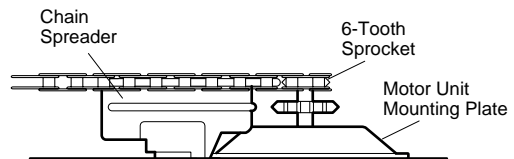
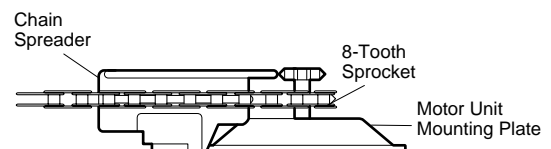
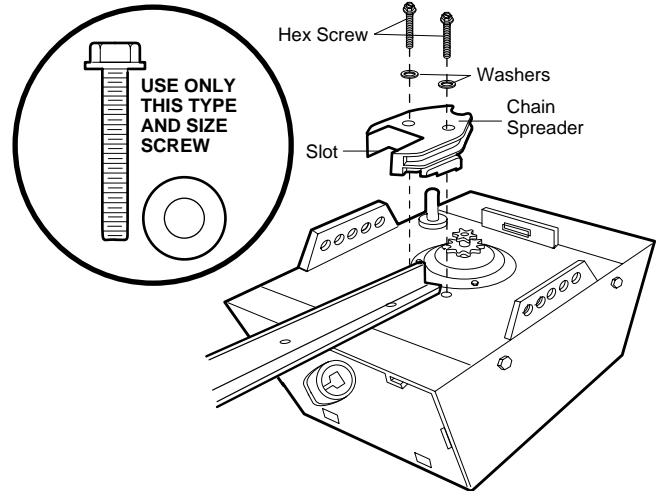
**NOTE:** For door up to 3 metres in height use the 6-tooth sprocket. For door over 3 metres in height use the 8-tooth sprocket

6. Check to make sure the chain is not twisted, then connect it to the threaded shaft with the remaining master link, as illustrated.
  - Push pins of master link bar through holes in end of chain and trolley threaded shaft.
  - Push master link cap over pins and past pin notches.
  - Slide clip-on spring over cap and onto pin notches until both pins are securely locked in place.
7. Insert the trolley threaded shaft through the hole in the trolley. *Be sure the chain is not twisted.*
8. Hold the chain at the trolley shaft as you thread the spring nut by hand onto the shaft until finger tight against the trolley. *Do not use any tools.*
9. Remove the screwdriver.

## **⚠ WARNING**

To avoid possible **SERIOUS INJURY** to fingers from moving garage door opener:

- ALWAYS keep hand clear of sprocket while operating opener.
- Securely attach chain spreader before operating.



## ASSEMBLY STEP 5

### Set the Chain Tension

- Insert a screwdriver tip into one of the nut ring slots and brace it firmly against the trolley.
- Place an open end wrench on the square end. Rotate the nut about 1/4 turn clockwise until the spring releases and snaps the nut ring against the trolley.

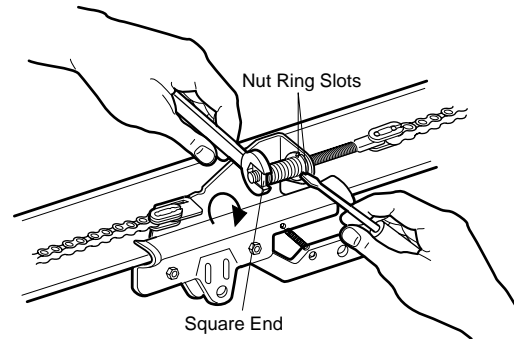
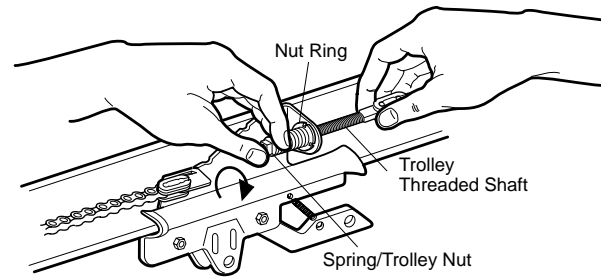
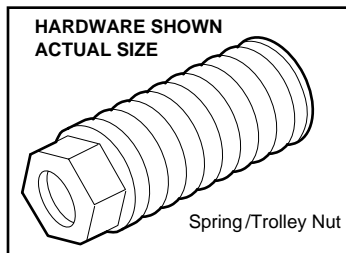
This sets the spring to optimum chain tension.

Sprocket noise can result if chain is too loose.

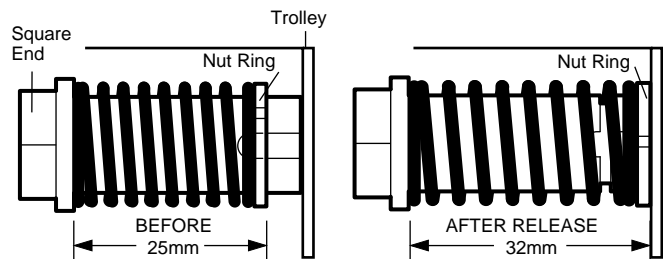
**NOTE:** During future maintenance, ALWAYS pull the emergency release handle to disconnect trolley before adjusting chain.

**NOTE:** You may notice loosening of chain after Adjustment Step 3

(Test the Safety Reverse System). Check for proper tension and readjust chain if necessary. Then repeat Adjustment Step 3.



**You have now finished assembling your garage door opener. Please read the following warnings before proceeding to the installation section.**



## INSTALLATION

### IMPORTANT INSTALLATION INSTRUCTIONS

#### WARNING

#### To reduce the risk of severe injury or death:

1. READ AND FOLLOW ALL INSTALLATION WARNINGS AND INSTRUCTIONS.
2. Install garage door opener only on properly balanced and lubricated garage door. An improperly balanced door may not reverse when required and could result in severe injury or death.
3. All repairs to cables, spring assemblies and other hardware MUST be made by a trained door systems technician before installing opener.
4. Disable all locks and remove all ropes connected to garage door before installing opener to avoid entanglement.
5. Install garage door opener 2.1m or more above floor.
6. Mount emergency release handle 1.8m feet above floor.
7. NEVER connect garage door opener to power source until instructed to do so.
8. NEVER wear watches, rings or loose clothing while installing or servicing opener. They could be caught in garage door or opener mechanisms.
9. Install wall-mounted garage door control:
  - within sight of the garage door
  - out of reach of children at minimum height of 1.5m
  - away from all moving parts of the door.
10. Place entrapment warning label on wall next to garage door control.
11. Place manual release/safety reverse test label in plain view on inside of garage door.
12. Upon completion of installation, test safety reversal system. Door MUST reverse on contact with a 40mm high object on the floor.

## INSTALLATION STEP 1

### Determine the Header Bracket Location

Installation procedures vary according to garage door types. Follow the instructions which apply to your door.

#### **⚠ WARNING**

To prevent possible **SERIOUS INJURY** or **DEATH**:

- Header bracket **MUST** be **RIGIDLY** fastened to structural support on header wall or ceiling, otherwise garage door might not reverse when required. **DO NOT** install header bracket over drywall.
- Concrete anchors **MUST** be used if mounting header bracket or 40mm reinforcement board into masonry.
- **NEVER** try to loosen, move or adjust garage door, springs, cables, pulleys, brackets, or their hardware, all of which are under **EXTREME** tension.
- **ALWAYS** call a trained door systems technician if garage door binds, sticks, or is out of balance. An unbalanced garage door might not reverse when required.

#### **SECTIONAL DOOR AND ONE-PIECE DOOR WITH TRACK**

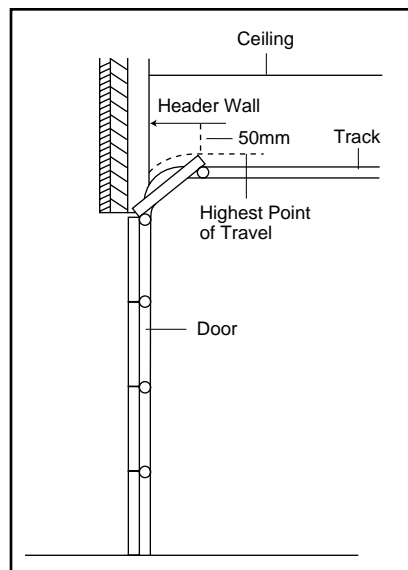
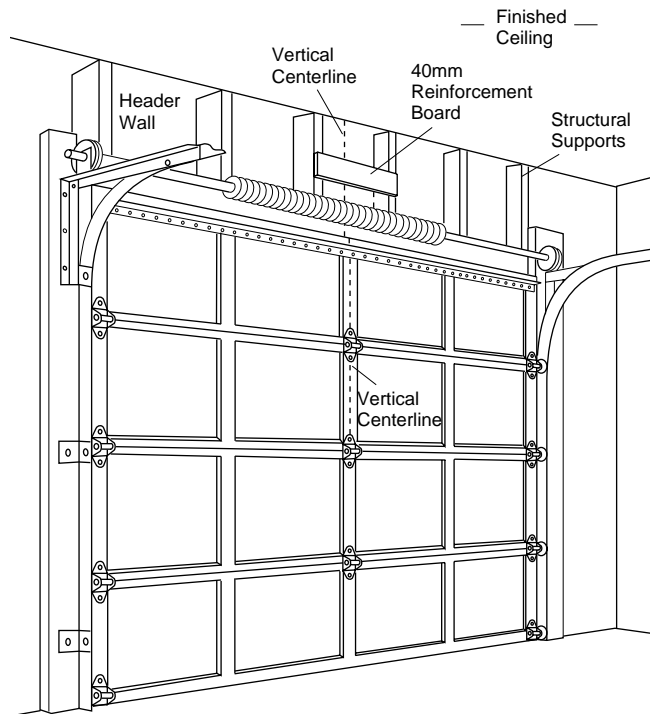
1. Close the door and mark the inside vertical centerline of the garage door.
2. Extend the line onto the header wall above the door.

**NOTE:** You can fasten the header bracket within 300mm of the left or right of the door center **only** if a torsion spring or center bearing plate is in the way; or you can attach it to the ceiling (see page 14) when clearance is minimal. (It may be mounted on the wall upside down if necessary, to gain approximately 12mm.)

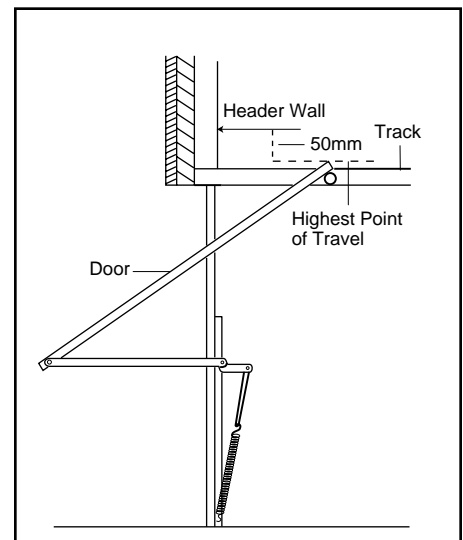
If you need to install the header bracket on a 40mm reinforcement board (on wall or ceiling), use lag screws (not provided) to securely fasten the 40mm reinforcement board to structural supports as shown here and on page 13. If installing into masonry, use concrete anchors.

3. Open your door to the highest point of travel as shown. Draw an intersecting horizontal line on the header wall 50mm above the high point. This height will provide travel clearance for the top edge of the door.

Proceed to **Step 2, page 14.**



**Sectional door with curved track**



**One-piece door with horizontal track**

## ONE-PIECE DOOR WITHOUT TRACK

1. Close the door and mark the inside vertical centerline of your garage door. Extend the line onto the header wall above door, as shown.

If headroom clearance is minimal, you can install the header bracket on the ceiling. See page 14.

If you need to install the header bracket on a 40mm reinforcement board (on wall or ceiling), use lag screws (not provided) to securely fasten the 40mm reinforcement board to structural supports as shown. If installing into masonry, use concrete anchors (not provided).

2. Open your door to the highest point of travel as shown. Measure the distance from the top of the door to the floor. Subtract the actual height of the door. Add 200mm to the remainder. (See Example).

3. Close the door and draw an intersecting horizontal line on the header wall at the determined height.

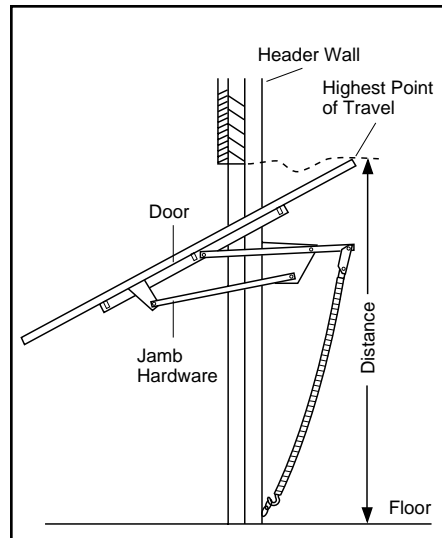
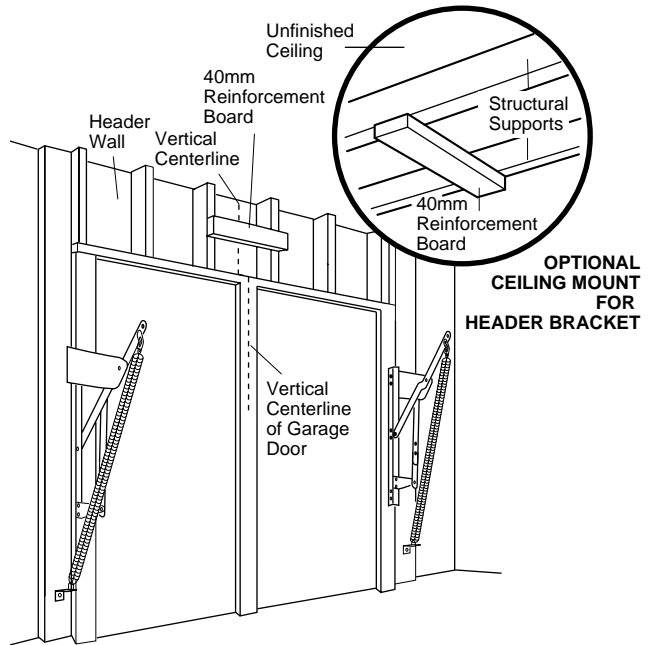
**If the total number of millimeters exceeds the height available in your garage, use the maximum height possible, or refer to page 14 for ceiling installation.**

### EXAMPLE

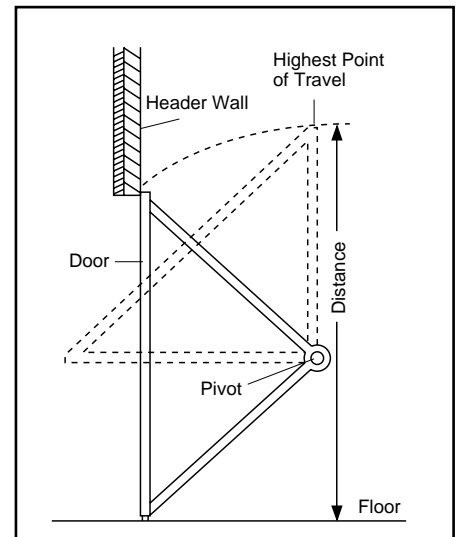
|  |         |
|--|---------|
| Distance from top of door<br>(at highest point of travel) to floor ..... | 2300mm  |
| Actual height of door .....  | -2100mm |
| Remainder .....  | 200mm   |
| Add .....  | +200mm  |
| Bracket height on header wall .....                                      | =400mm  |

(Measure UP from top of CLOSED door.)

**Proceed to Step 2, page 14.**



**One-piece door without track:  
jamb hardware**



**One-piece door without track:  
pivot hardware**

## INSTALLATION STEP 2

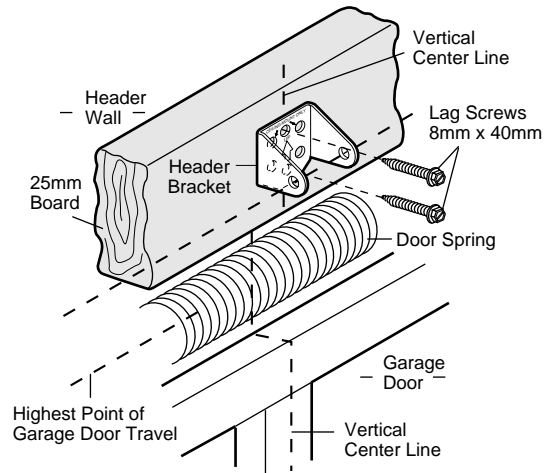
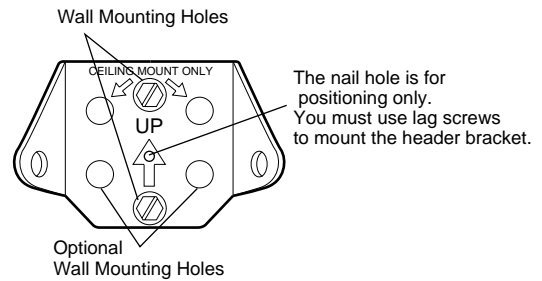
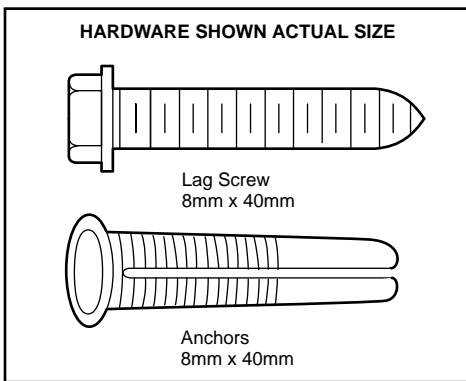
### Install the Header Bracket

You can attach the header bracket either to the wall above the garage door, or to the ceiling. Follow the instructions which will work best for your particular requirements.

If installing into masonry, use concrete anchors (not provided).

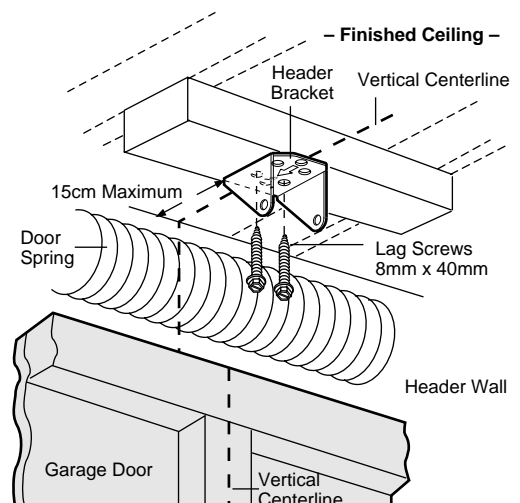
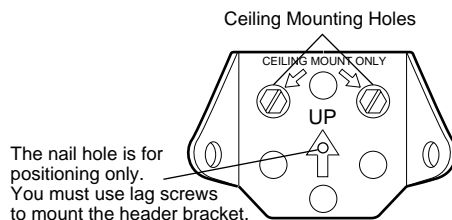
#### WALL HEADER BRACKET INSTALLATION

- Center the bracket on the vertical centerline with the bottom edge of the bracket on the horizontal line as shown (with the arrow pointing toward the ceiling).
- Mark the vertical set of bracket holes (do not use the holes designated for ceiling mount). Drill 5mm pilot holes and fasten the bracket securely to a structural support with the hardware provided.



#### CEILING HEADER BRACKET INSTALLATION

- Extend the vertical centerline onto the ceiling as shown.
- Center the bracket on the vertical mark, no more than 150mm from the wall. Make sure the arrow is pointing toward the wall. The bracket can be mounted flush against the ceiling when clearance is minimal.
- Mark the side holes. Drill 5mm pilot holes and fasten bracket securely to a structural support with the hardware provided.



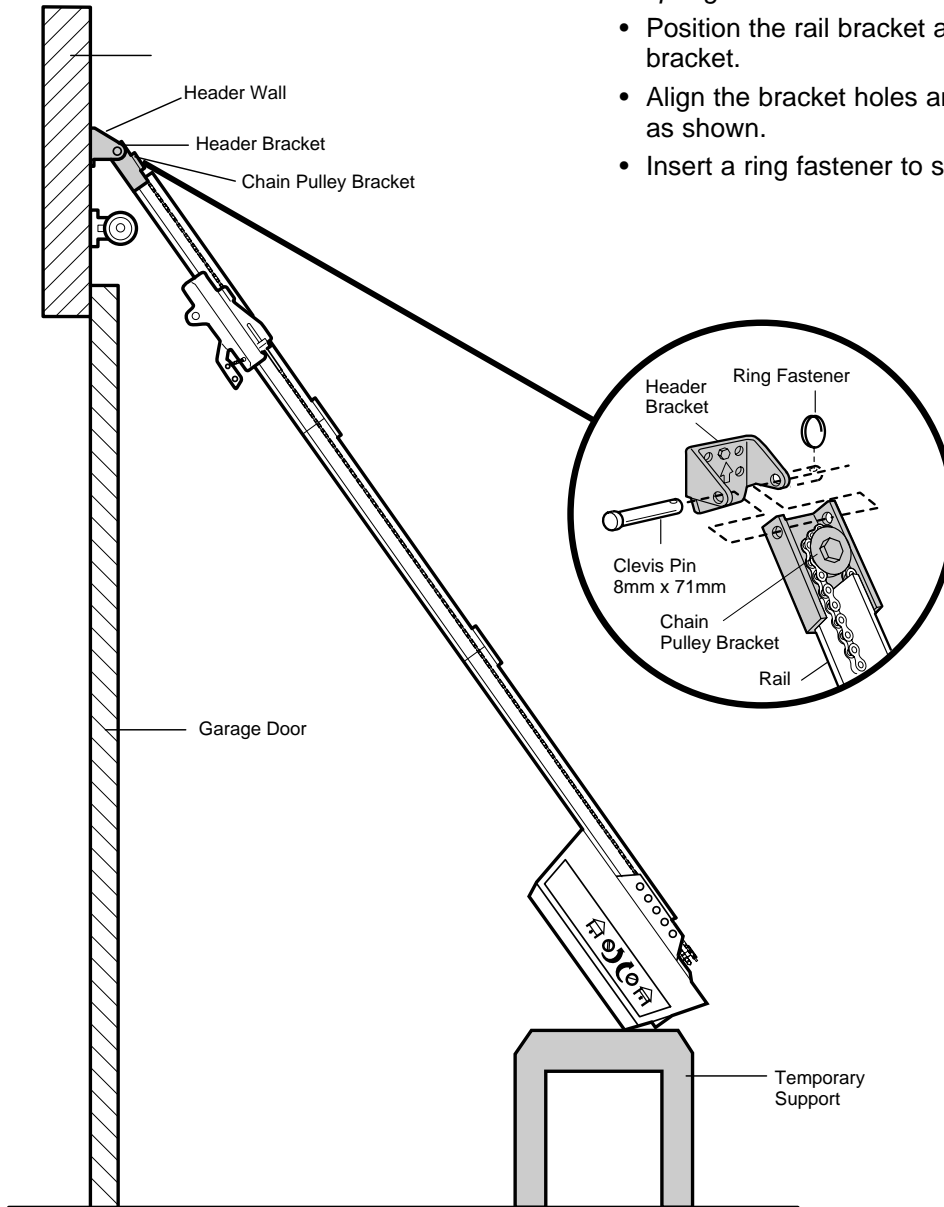
## INSTALLATION STEP 3

### Attach the Rail to the Header Bracket

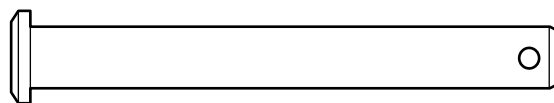
- Position the opener on the garage floor below the header bracket. Use packing material as a protective base.

**NOTE:** If the door spring is in the way you'll need help. Have someone hold the opener securely on a temporary support to allow the rail to clear the spring.

- Position the rail bracket against the header bracket.
- Align the bracket holes and join with a clevis pin as shown.
- Insert a ring fastener to secure.



#### HARDWARE SHOWN ACTUAL SIZE



Clevis Pin  
8mm x 71mm



Ring fastener

## INSTALLATION STEP 4

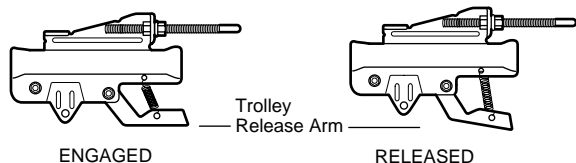
### *Position the Opener*

Follow instructions which apply to your door type as illustrated.

#### **SECTIONAL DOOR OR ONE-PIECE DOOR WITH TRACK**

A 25 mm board laid flat is convenient for setting an ideal door-to-rail distance.

- Raise the opener onto a stepladder. You will need help at this point if the ladder is not tall enough.
- Open the door all the way and place a 25mm board laid flat on the top section beneath the rail.
- If the top section or panel hits the trolley when you raise the door, pull down on the trolley release arm to disconnect inner and outer sections. Slide the outer trolley toward the motor unit. The trolley can remain disconnected until Installation Step 12 is completed.

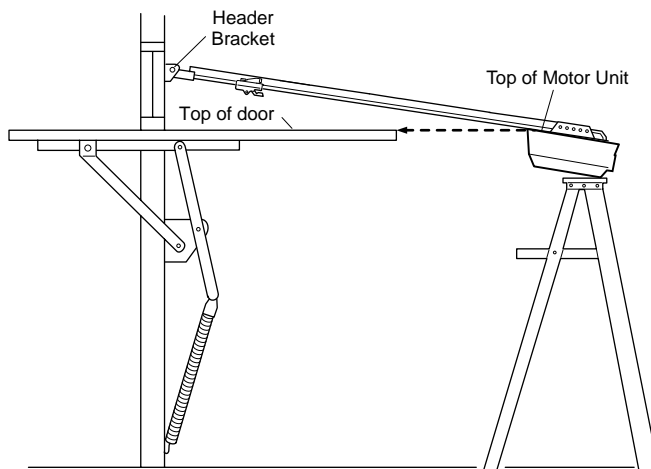
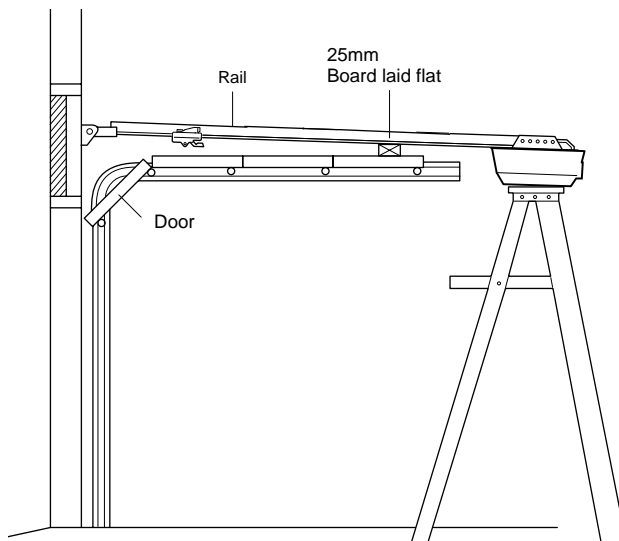


#### **ONE-PIECE DOOR WITHOUT TRACK**

- With the door fully open and parallel to the floor, measure the distance from the floor to the top of the door.
- Using a stepladder as a support, raise the top of the opener to this height.
- The top of the door should be level with the top of the motor unit. Do not position the opener more than 50mm above this point.

## CAUTION

To prevent damage to garage door, rest garage door opener rail on 25mm board or equivalent placed on top section of door.





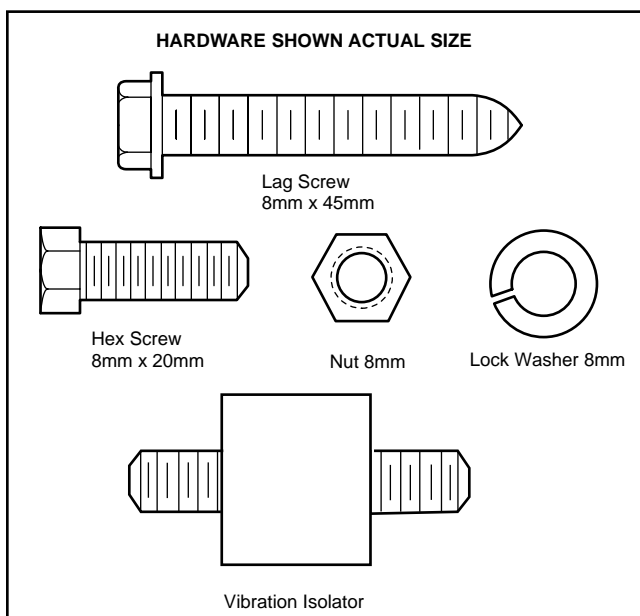
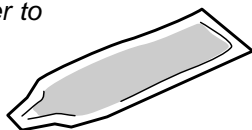
## INSTALLATION STEP 5

### Hang the Opener

Two representative installations are shown. Yours may be different. Hanging brackets should be angled (Figure 1) to provide rigid support. On finished ceilings (Figure 2), attach a sturdy metal bracket to structural supports before installing the opener. This bracket and fastening hardware are not provided.

1. Measure the distance from each side of the motor unit to the structural support.
2. Cut both pieces of the hanging bracket to required lengths.
3. Drill 5mm" pilot holes in the structural supports.
4. Attach one end of each bracket to a support with 8mm x 45mm lag screws.
5. Fasten the opener to the hanging brackets with 8mm x 20mm hex screws, lock washers and nuts. **NOTE: If vibration or noise is an issue you may choose to use the vibration isolators instead as shown in Figure 3.**
6. Check to make sure the rail is centered over the door (or in line with the header bracket if the bracket is not centered above the door).
7. Remove the 25mm board. Operate the door manually. If the door hits the rail, raise the header bracket.
8. Grease the top and underside of the rail surface where the trolley slides with rail grease.

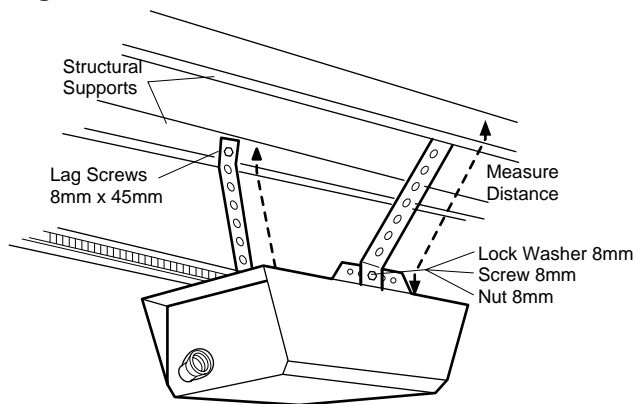
**NOTE: Do NOT connect power to opener at this time.**



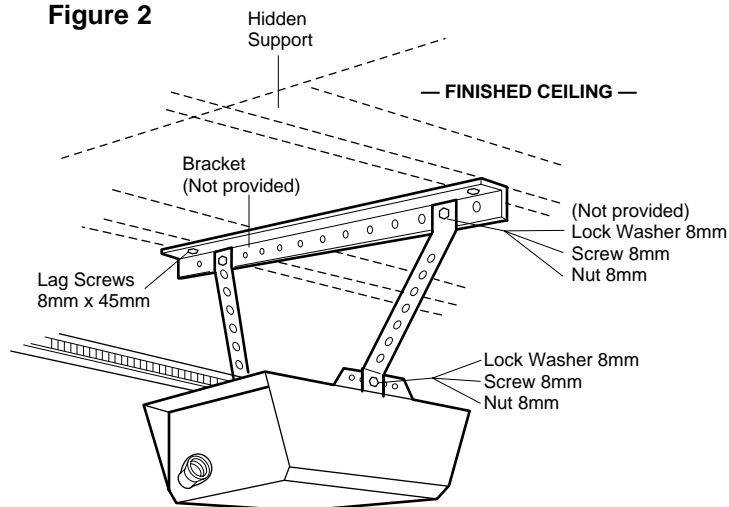
## ⚠ WARNING

To avoid possible **SERIOUS INJURY** from a falling garage door opener, fasten it **SECURELY** to structural supports of the garage. Concrete anchors **MUST** be used if installing any brackets into masonry.

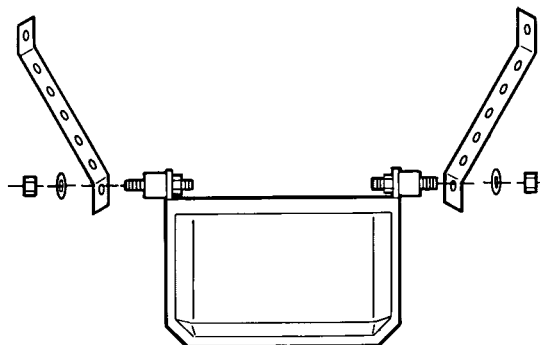
**Figure 1**



**Figure 2**



**Figure 3**



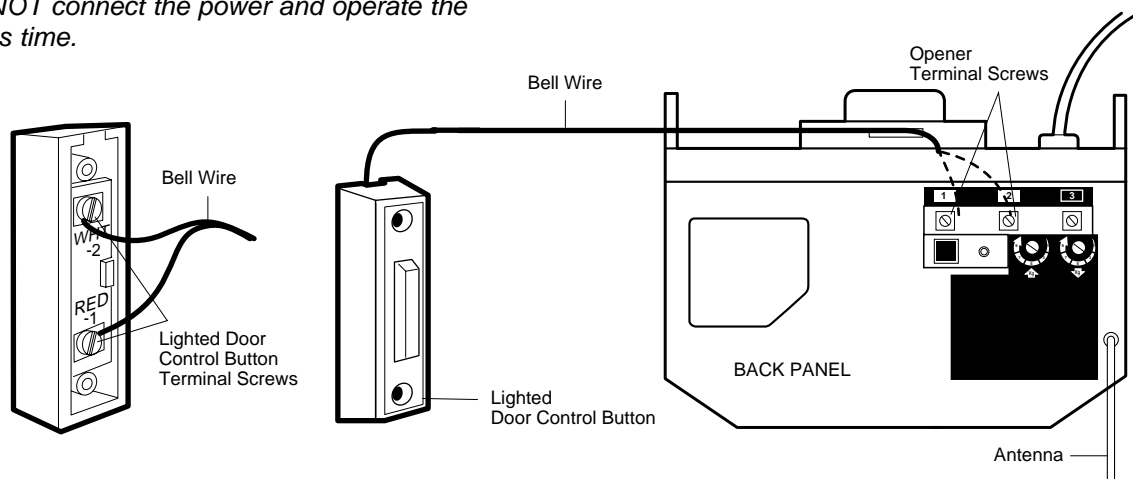
## INSTALLATION STEP 6

### Install the Door Control

Locate the door control within sight of the door at a minimum height of 1.5m where small children cannot reach, and away from all moving parts of the door and door hardware.

1. Strip 6.35mm of insulation from one end of the bell wire. Connect it to the two screw terminals on the back of the door control by color: white wire to 2 and white/red wire to 1.
2. Fasten the Lighted Door Control Button securely with 6AB x 38mm screws. If installing into drywall, drill 4mm holes and use the anchors provided.
3. Run the bell wire up the wall and across the ceiling to the opener. Use insulated staples to secure the wire in several places. Be careful not to pierce the wire with a staple, creating a short or open circuit.
4. Receiver terminal screws and the antenna are located on the back panel of the motor unit. Position the antenna wire as shown.
5. Then connect the bell wire to the opener terminal screws: white to 2 and white/red to 1.
6. Use tacks or staples to permanently attach the entrapment warning label to the wall near the door control, and the manual release/safety reverse test in a prominent location on the inside of the garage door.

**NOTE:** DO NOT connect the power and operate the opener at this time.



## WIRING INSTRUCTIONS FOR ACCESSORIES

- Place entrapment warning label on the inside of door as a reminder of safe operating procedures. Place the manual release/safety reverse test label in plain view on the inside of the garage door.

## **WARNING**

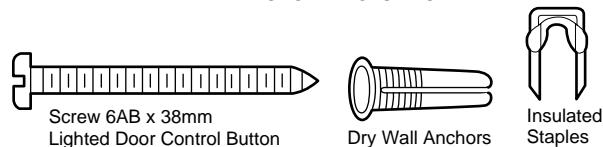
To prevent possible **SERIOUS INJURY** or **DEATH** from electrocution:

- Be sure power is not connected **BEFORE** installing door control.
- Connect **ONLY** to 24 VOLT low voltage wires.

To prevent possible **SERIOUS INJURY** or **DEATH** from a closing garage door:

- Install door control within sight of garage door, out of reach of children at a minimum height of 1.5m, and away from all moving parts of door.
- **NEVER** permit children to operate or play with door control push buttons or remote control transmitters.
- Activate door **ONLY** when it can be seen clearly, is properly adjusted, and there are no obstructions to door travel.
- **ALWAYS** keep garage door in sight until completely closed. **NEVER** permit anyone to cross path of closing garage door.

### HARDWARE SHOWN ACTUAL SIZE

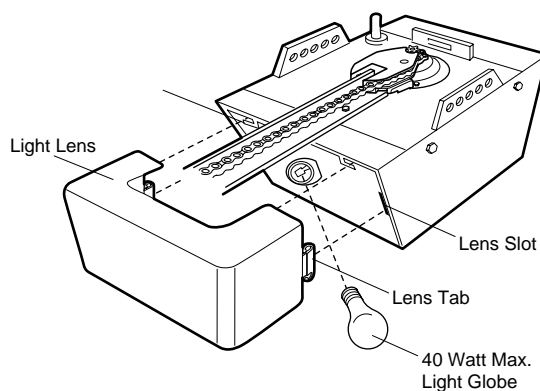


## INSTALLATION STEP 7

### *Install the Light Globe and Lens*

#### INSTALL THE LIGHT GLOBE

- Install a rough service 40 watt maximum light globe in the socket as shown. The light will turn on and remain lit for 4-1/2 minutes when power is connected. After 4-1/2 minutes it will turn off.
- Apply slight pressure on sides of the light cover and slide tabs into slots in the end panel. Reverse the procedure to remove the light cover.
- Replace burned out globes with rough service/heavy duty light globes.



## INSTALLATION STEP 8

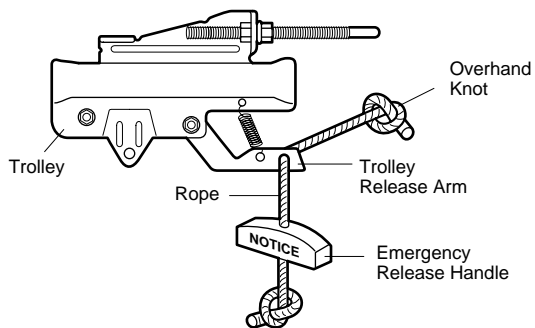
### *Attach the Emergency Release Rope and Handle*

- Thread one end of the rope through the hole in the top of the red handle so "NOTICE" reads right side up as shown. Secure with an overhand knot at least 25mm from the end of the rope to prevent slipping.
- Thread the other end of the rope through the hole in the release arm of the outer trolley.
- Adjust rope length so the handle is 1.8m above the floor. Secure with an overhand knot.

If it is necessary to cut the rope, heat seal the cut end with a match or lighter to prevent unraveling.

**⚠ WARNING**

- To prevent possible **SERIOUS INJURY** or **DEATH** from a falling garage door:
  - If possible, use emergency release handle to disengage trolley **ONLY** when garage door is **CLOSED**. Weak or broken springs or unbalanced door could result in an open door falling rapidly and/or unexpectedly.
  - **NEVER** use emergency release handle unless garage doorway is clear of persons and obstructions.
- **NEVER** use handle to pull door open or closed. If rope knot becomes untied, you could fall.



## INSTALLATION STEP 9

### Connect Electric Power

To avoid installation difficulties, do not run the opener at this time.

Connect the operator to a mains which is properly earthed according to the wiring instruction tag attached to the power supply cord (and as specified by local code).

## WARNING

To prevent possible SERIOUS INJURY or DEATH from electrocution or fire:

- Be sure power is not connected to the opener, and disconnect power to circuit BEFORE removing cover to establish permanent wiring connection.
- Garage door installation and wiring MUST be in compliance with all local electrical and building codes.
- NEVER use an extension cord, 2-wire adapter, or change plug in any way to make it fit outlet. Be sure the opener is earthed.

## INSTALLATION STEP 10

### Install the Safety Infra-red Beam Sensors (Optional)

It is recommended that safety infra-red beam sensors be connected and aligned correctly to the garage door opener.

The force, as measured on the closing edge of the door, should not exceed 150N (15kg). If the closing force is adjusted to more than 150 N, this safety system must be installed.

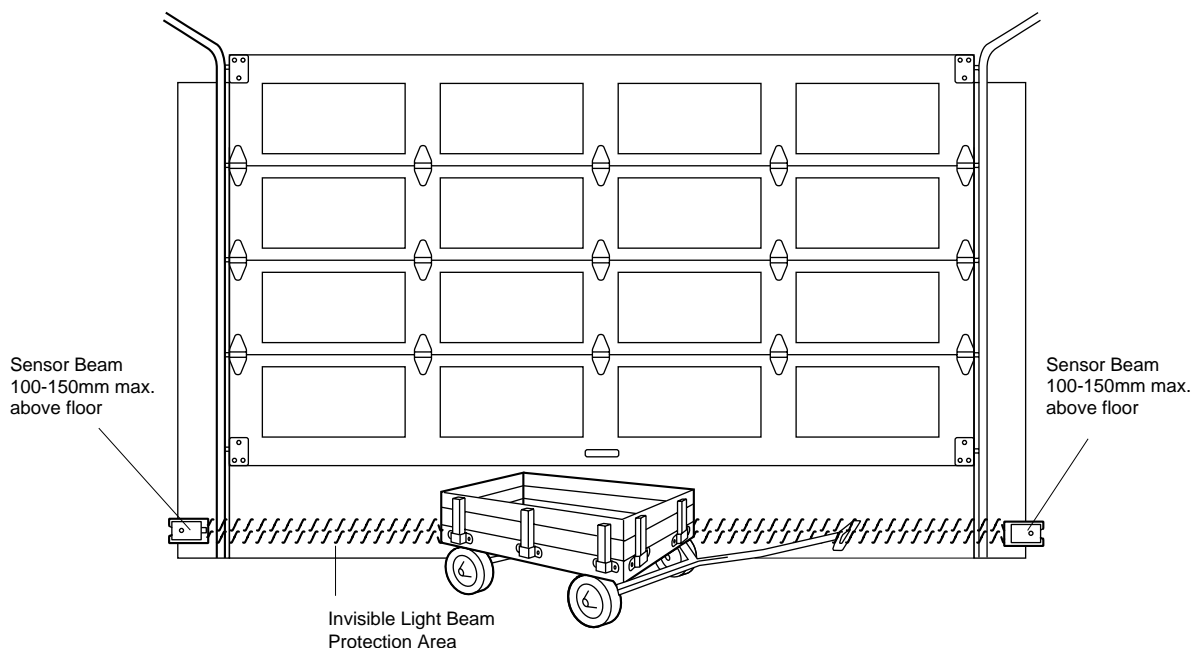
#### IMPORTANT INFORMATION ABOUT THE SAFETY REVERSING SENSORS

When properly connected and aligned, the safety infra-red beam sensors will detect an obstacle in the path of its electronic beam. The sending eye transmits an invisible light beam to the receiving eye. If an obstruction breaks the light beam while the door is closing, the door will stop and reverse to full open position, and the opener light will flash 10 times.

The units must be installed inside the garage so that the sending and receiving eyes face each other across the door, between 100-150mm above the floor. Either can be installed on the left or right of the door as long as the sun never shines directly into the receiving eye lens.

The brackets must be securely fastened to a solid surface such as the wall framing. If installing in masonry construction, add a piece of wood at each location to avoid drilling extra holes in masonry if repositioning is necessary.

The invisible light beam path must be unobstructed. No part of the garage door (or door tracks, springs, hinges, rollers or other hardware) may interrupt the beam while the door is closing.



Facing the door from inside the garage

## INSTALLATION STEP 11

### Fasten Door Bracket

Follow instructions which apply to your door type as illustrated below or on the following page.

A horizontal reinforcement brace should be long enough to be secured to 2 vertical supports.

A vertical reinforcement brace should cover the height of the top panel.

The illustration shows one piece of angle iron as the horizontal brace. For the vertical brace, 2 pieces of angle iron are used to create a "U"-shaped support. The best solution is to check with your garage door manufacturer for an opener installation door reinforcement kit.

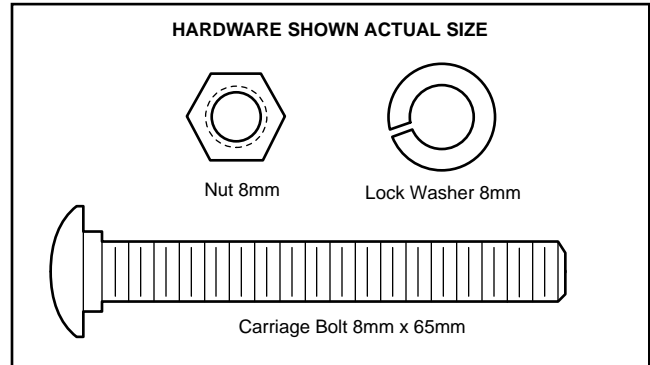
**NOTE:** Many vertical brace installations provide for direct attachment of the clevis pin and door arm. In this case you will not need the door bracket; proceed to Step 12.

### SECTIONAL DOORS

- Center the door bracket on the previously marked vertical centerline used for the header bracket installation. Note correct UP placement, as stamped inside the bracket.
- Position the bracket on the face of the door within the following limits:
  - A) The top edge of the bracket 50-100mm below the top edge of the door.
  - B) The top edge of the bracket directly below any structural support across the top of the door.

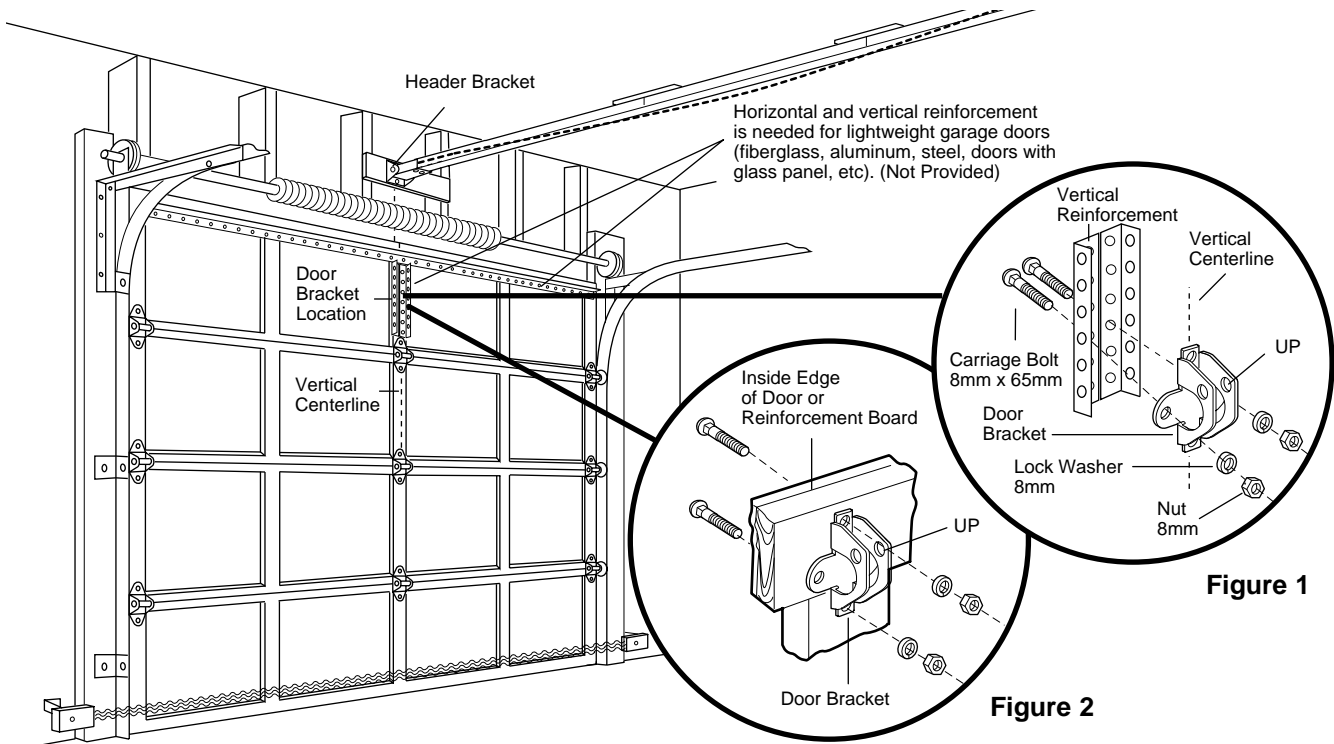
## CAUTION

To prevent damage to garage door, reinforce inside of door with angle iron both vertically and horizontally.



- Mark and drill 8mm left and right fastening holes. Secure the bracket as shown in Figure 1 if there is vertical reinforcement.

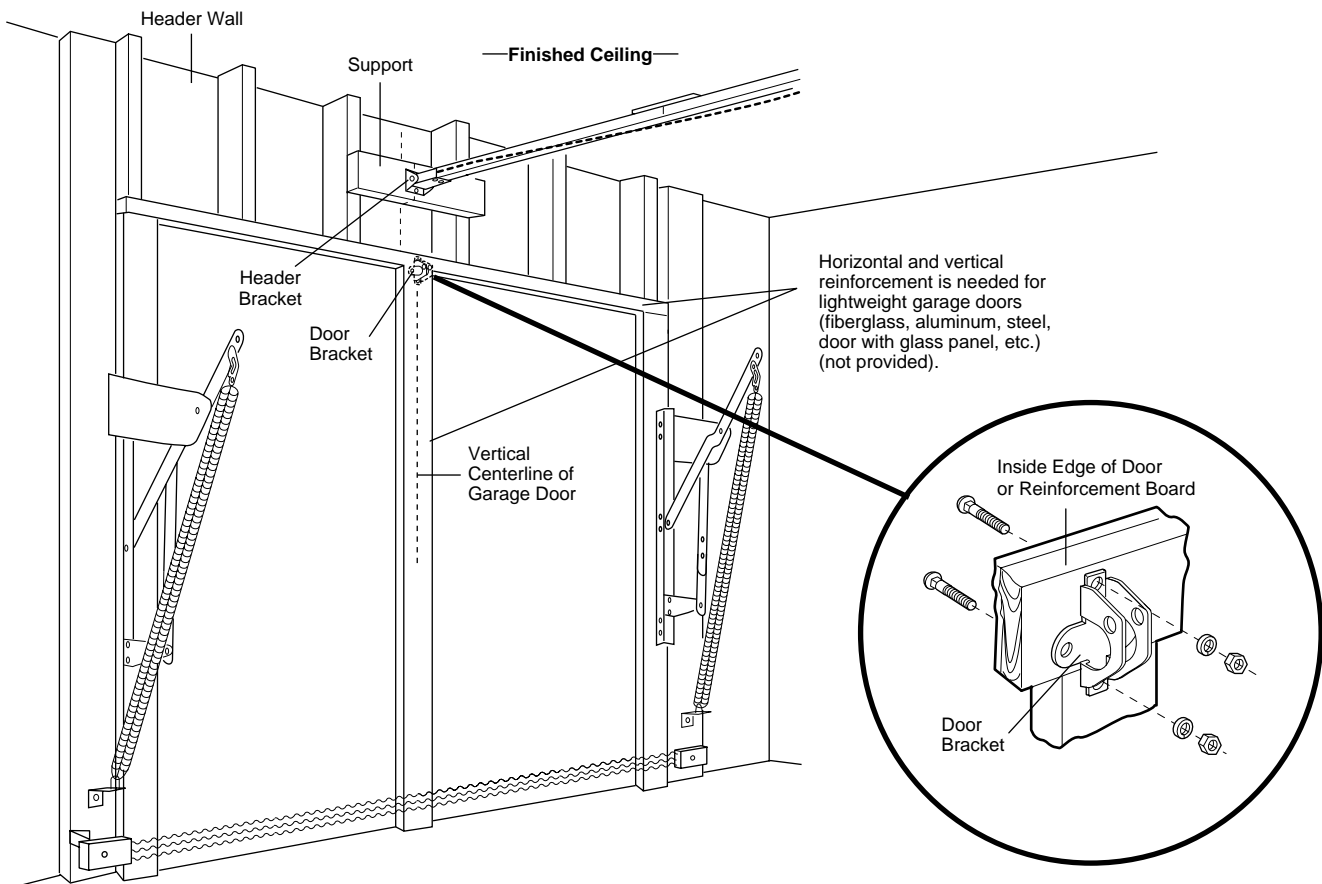
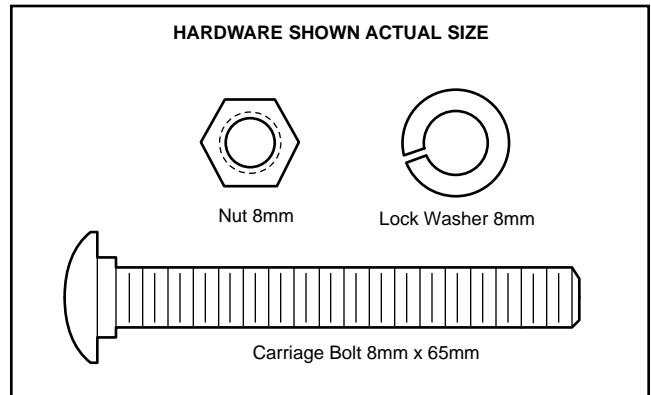
If your installation doesn't require vertical reinforcement but does need top and bottom fastening holes for the door bracket, fasten as shown in Figure 2.



## ONE-PIECE DOORS

Please read and comply with the warnings and reinforcement instructions on the previous page. They apply to one-piece doors also.

- Center the door bracket on the top of the door, in line with the header bracket as shown. Mark holes.
- Drill 8mm pilot holes and fasten the bracket with hardware supplied.



# INSTALLATION STEP 12

## Connect Door Arm to Trolley

Follow instructions which apply to your door type as illustrated below and on the following page.

### SECTIONAL DOORS ONLY

- Make sure garage door is fully closed. Pull the emergency release handle to disconnect the outer trolley from the inner trolley. Slide the outer trolley back (away from the door) about 200mm as shown in Figures 1, 2 and 3.

#### Figure 1:

- Fasten straight door arm section to outer trolley with the 8mm x 25mm clevis pin. Secure the connection with a ring fastener.
- Fasten curved section to the door bracket in the same way, using the 8mm x 30mm clevis pin.

#### Figure 2:

- Bring arm sections together. Find two pairs of holes that line up and join sections. If possible, use the top and bottom holes on the curved door arm, as shown.

#### Figure 3, Hole Alignment Alternative:

- If holes in curved arm are above holes in straight arm, disconnect straight arm. Cut about 150mm from the solid end. Reconnect to trolley with cut end down as shown.
- Bring arm sections together.
- Find two pairs of holes that line up and join with screws, lock washers and nuts.
- Pull the emergency release handle toward the opener at a 45° angle so that the trolley release arm is horizontal. Proceed to *Adjustment Step 1*, page 25. Trolley will re-engage automatically when opener is operated.

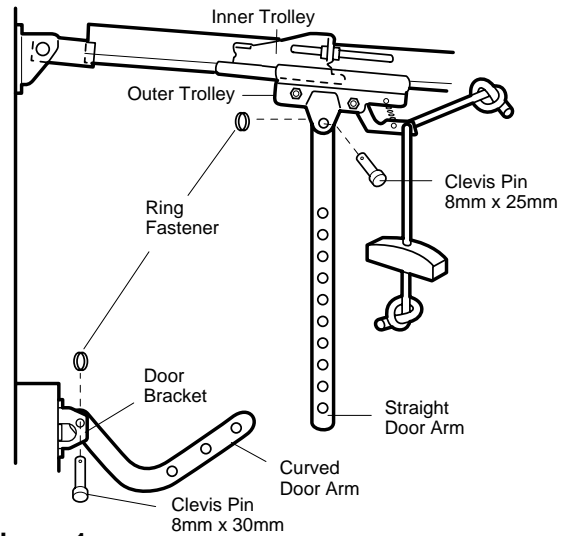


Figure 1

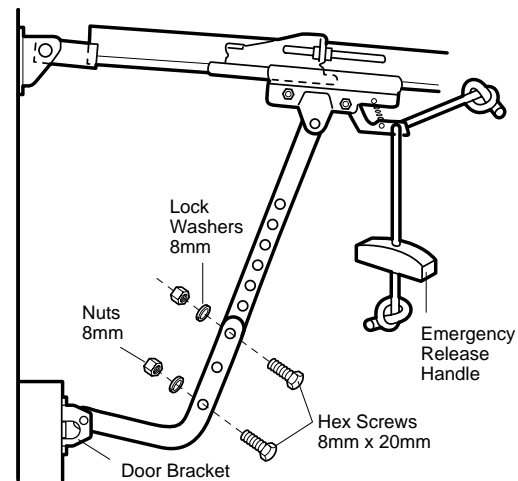


Figure 2

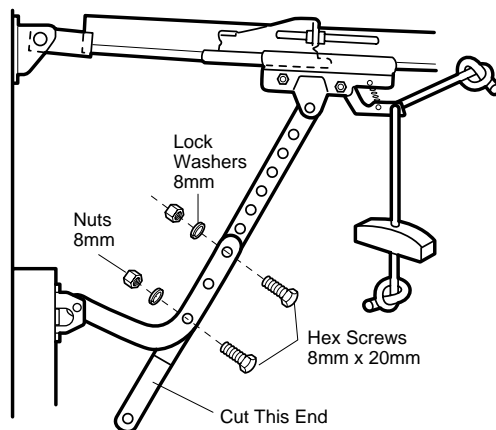
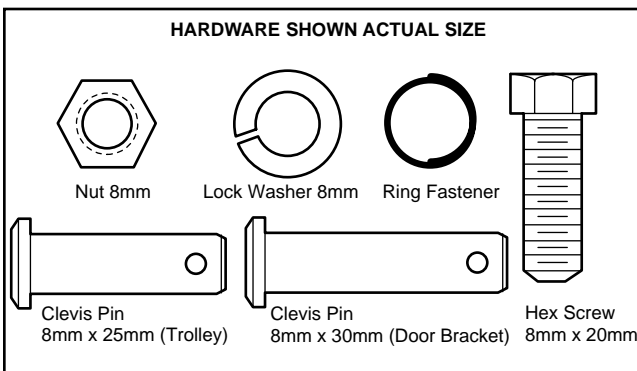


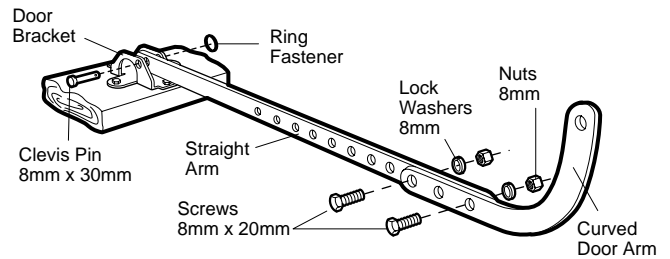
Figure 3



## ALL ONE-PIECE DOORS

### Assemble the Door Arm:

- Fasten the straight and curved door arm sections together to the longest possible length (with a 2 or 3 hole overlap).
- With the door closed, connect the straight door arm section to the door bracket with the 8mm x 30mm clevis pin.
- Secure with a ring fastener.



### Adjustment Procedures for One-Piece Doors

On one-piece doors, before connecting the door arm to the trolley, the travel limits must be adjusted. Limit adjustment screws are located on the left side panel as shown on page 25. Follow adjustment procedures below.

#### A. Open Door Adjustment: Decrease UP Travel Limit

- Turn the UP limit adjustment screw counter-clockwise 5 1/2 turns.
- Press the Remote Control transmitter button. The trolley will travel to the fully open position.
- Manually raise the door to the open position (parallel to the floor), and lift the door arm to the trolley. The arm should touch the trolley just in back of the door arm connector hole. Refer to the fully open trolley/door arm positions in the illustration. If the arm does not extend far enough, adjust the limit further. One full turn equals 50mm of trolley travel.

#### B. Closed Door Adjustment: Decrease DOWN Travel Limit

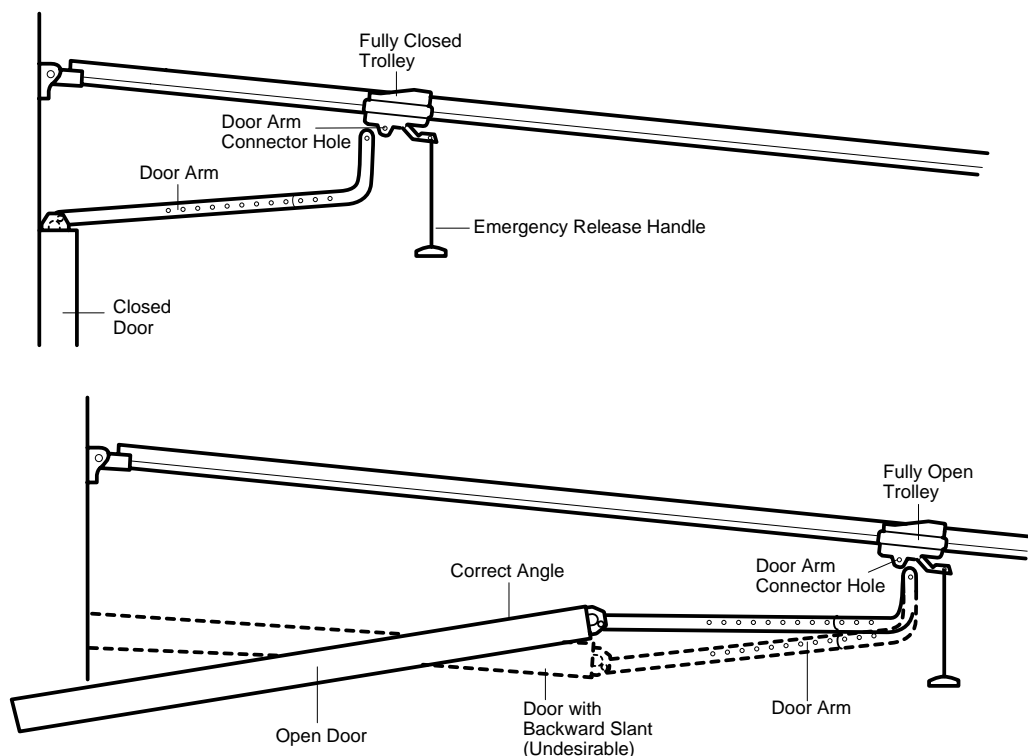
- Turn the DOWN limit adjustment screw clockwise 5 complete turns.

- Press the Remote Control transmitter button. The trolley will travel to the fully closed position.
- Manually close the door and lift the door arm to the trolley. The arm should touch the trolley just ahead of the door arm connector hole. Refer to the fully closed trolley/door arm positions in the illustration. If the arm is behind the connector hole, adjust the limit further. One full turn equals 50mm of trolley travel.

#### Connect the door arm to the trolley.

- Close the door and join the curved arm to the connector hole in the trolley with the remaining clevis pin. It may be necessary to lift the door slightly to make the connection.
- Secure with a ring fastener.
- Run the opener through a complete travel cycle. If the door has a slight "backward" slant in full open position as shown in the illustration, decrease the UP limit until the door is parallel to the floor.

**NOTE:** When setting the up limit on the following page, the door should not have a "backward" slant when fully open as illustrated below. A slight backward slant will cause unnecessary bucking and/or jerking operation as the door is being opened or closed from the fully open position.





## ADJUSTMENT STEP 1

### *Adjust the UP and DOWN Travel Limits*

Limit adjustment settings regulate the points at which the door will stop when moving up or down.

**NOTE:** *If anything interferes with the door's upward travel, it will stop. If anything interferes with the door's downward travel (including binding or unbalanced doors), it will reverse.*

To operate the opener, press the Remote Control transmitter button. Run the opener through a complete travel cycle.

- Does the door open and close completely?
- Does the door stay closed and not reverse unintentionally when fully closed?

If your door passes both of these tests, no limit adjustments are necessary unless the reversing test fails (see Adjustment Step 3, page 27).

Adjustment procedures are outlined below. Read the procedures carefully before proceeding to Adjustment Step 2. Use a screwdriver to make limit adjustments. **Run the opener through a complete travel cycle after each adjustment.**

**NOTE:** *Repeated operation of the opener during adjustment procedures may cause the motor to overheat and shut off. Simply wait 15 minutes and try again.*

### HOW AND WHEN TO ADJUST THE LIMITS

***If the door does not open completely but opens at least 1.5m:***

Increase up travel. Turn the UP limit adjustment screw clockwise. One turn equals 50mm of travel.

**NOTE:** *To prevent the trolley from hitting the cover protection bolt, keep a minimum distance of 50-100mm between the trolley and the bolt.*

***If door does not open at least 1.5m:***

Adjust the UP (open) force as explained in Adjustment Step 2.

***If the door does not close completely:***

Increase down travel. Turn the down limit adjustment screw counterclockwise. One turn equals 50mm of travel.

If door still won't close completely, try lengthening the door arm (page 23) and decreasing the down limit.

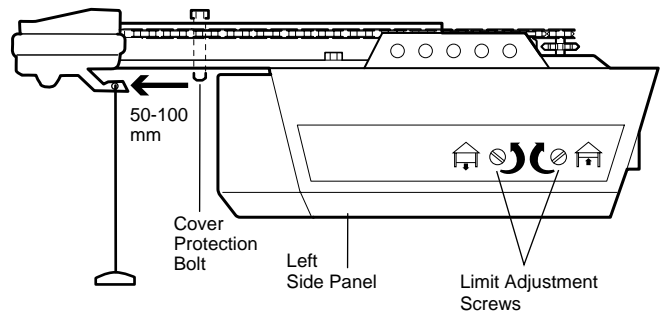
## ⚠ WARNING

Without a properly installed safety reversal system, persons (particularly small children) could be **SERIOUSLY INJURED** or **KILLED** by a closing garage door.

- Incorrect adjustment of garage door travel limits will interfere with proper operation of safety reversal system.
- If one control (force or travel limits) is adjusted, the other control may also need adjustment.
- After ANY adjustments are made, the safety reversal system **MUST** be tested. Door **MUST** reverse on contact with 40mm high object on floor.

## CAUTION

To prevent damage to vehicles, be sure fully open door provides adequate clearance.



***If the opener reverses in fully closed position:***

Decrease down travel. Turn the down limit adjustment screw clockwise. One turn equals 50mm of travel.

***If the door reverses when closing and there is no visible interference to travel cycle:***

If the opener lights are flashing, the Safety Reversing Sensors (if installed) are either misaligned, or obstructed.

Test the door for binding: Pull the emergency release handle. Manually open and close the door. If the door is binding, call for professional B&D garage door service. If the door is not binding or unbalanced, adjust the DOWN (close) force. See Adjustment Step 2.

## ADJUSTMENT STEP 2

### Adjust the Force

**The force, as measured on the closing edge of the door, should not exceed 150N (15kg). If the closing force is adjusted to more than 150 N, the safety infra-red beam sensors must be installed.**

Force adjustment controls are located on the back panel of the opener. Force adjustment settings regulate the amount of power required to open and close the door.

If the forces are set too light, door travel may be interrupted by nuisance reversals in the down direction and stops in the up direction. Weather conditions can affect the door movement, so occasional adjustment may be needed.

**The maximum force adjustment range is about 3/4 of a complete turn. Do not force controls beyond that point.** Turn force adjustment controls with a screwdriver.

**NOTE:** If anything interferes with the door's upward travel, it will stop. If anything interferes with the door's downward travel (including binding or unbalanced doors), it will reverse.

### HOW AND WHEN TO ADJUST THE FORCES

#### Test the DOWN (close) force

- Grasp the door bottom when the door is about halfway through DOWN (close) travel. The door should reverse. *Reversal halfway through down travel does not guarantee reversal on a 40mm obstruction. See Adjustment Step 3, page 27.* **If the door is hard to hold or doesn't reverse, DECREASE** the DOWN (close) force by turning the control counterclockwise. Make small adjustments until the door reverses normally. After each adjustment, run the opener through a complete cycle.
- **If the door reverses during the down (close) cycle and the opener lights aren't flashing, INCREASE** DOWN (close) force by turning the control clockwise. Make small adjustments until the door completes a close cycle. After each adjustment, run the opener through a complete travel cycle. Do not increase the force beyond the minimum amount required to close the door.

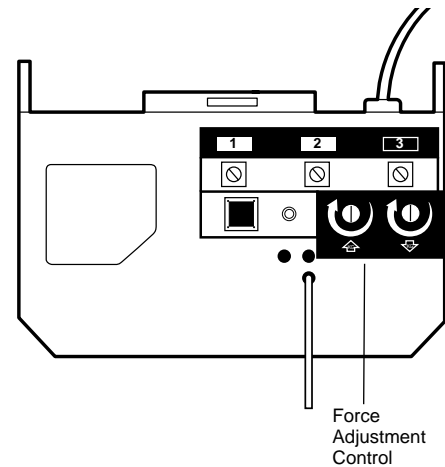
#### Test the UP (open) force

- Grasp the door bottom when the door is about halfway through UP (open) travel. The door should stop. **If the door is hard to hold or doesn't stop, DECREASE** UP (open) force by turning the control counterclockwise. Make small adjustments until the door stops easily and opens fully. After each adjustment, run the opener through a complete travel cycle.

### ⚠ WARNING

Without a properly installed safety reversal system, persons (particularly small children) could be SERIOUSLY INJURED or KILLED by a closing garage door.

- Too much force on garage door will interfere with proper operation of safety reversal system.
- NEVER increase force beyond minimum amount required to close garage door.
- NEVER use force adjustments to compensate for a binding or sticking garage door.
- If one control (force or travel limits) is adjusted, the other control may also need adjustment.
- After ANY adjustments are made, the safety reversal system MUST be tested. Door MUST reverse on contact with 40mm high object on floor.



Adjustment Label

- **If the door doesn't open at least 1.5m INCREASE** UP (open) force by turning the control clockwise. Make small adjustments until door opens completely. Readjust the UP limit if necessary. After each adjustment, run the opener through a complete travel cycle.

## ADJUSTMENT STEP 3

### Test the Safety Reverse System

#### TEST

- With the door fully open, place a 40mm board on the floor, centered under the garage door.
- Operate the door in the down direction. The door **must** reverse on striking the obstruction.

#### ADJUST

- If the door stops on the obstruction, it is not traveling far enough in the down direction. Increase the DOWN limit by turning the DOWN limit adjustment screw counterclockwise 1/4 turn.  
**NOTE:** On a sectional door, make sure limit adjustments do not force the door arm beyond a straight up and down position. See the illustration on page 23.
- Repeat the test.
- When the door reverses on the 40mm board, remove the obstruction and run the opener through 3 or 4 complete travel cycles to test adjustment.

If the door will not reverse on the board after repeated adjustment attempts, call for professional B&D garage door service.

#### IMPORTANT SAFETY CHECK:

Repeat Adjustment Steps 1, 2 and 4 after:

- Each adjustment of door arm length, limits, or force controls.
- Any repair to or adjustment of the garage door (including springs and hardware).
- Any repair to or buckling of the garage floor.
- Any repair to or adjustment of the opener.

## ADJUSTMENT STEP 4

### Test the Safety Infra-red Beam Sensors (if installed)

- Press the remote control push button to open the door.
- Place the opener carton in the path of the door.
- Press the remote control push button to close the door. The door will not move more than 25mm, and the door control will blink 10 times.

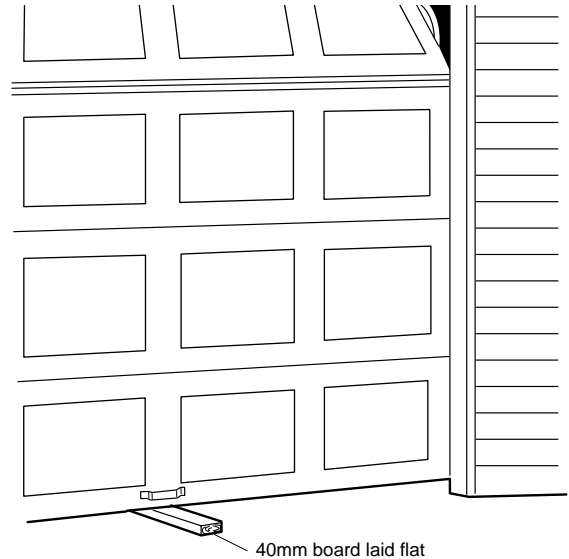
The garage door opener will not close from a remote if the indicator light in either sensor is off (alerting you to the fact that the sensor is misaligned or obstructed).

**If the opener closes the door when the safety reversing sensor is obstructed (and the sensors are no more than 150mm above the floor), call for professional B&D garage door service.**

## ⚠ WARNING

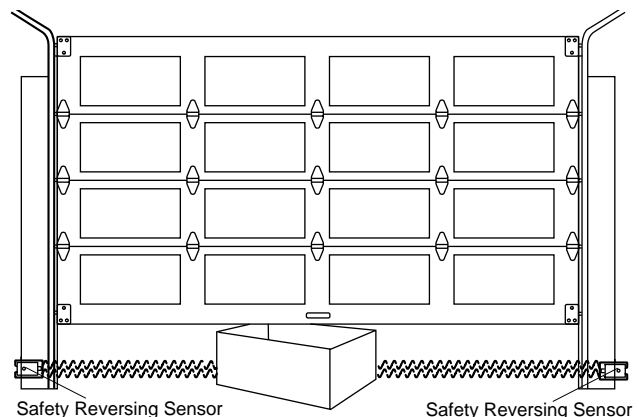
Without a properly installed safety reversal system, persons (particularly small children) could be **SERIOUSLY INJURED** or **KILLED** by a closing garage door.

- Safety reversal system **MUST** be tested every month.
- If one control (force or travel limits) is adjusted, the other control may also need adjustment.
- After **ANY** adjustments are made, the safety reversal system **MUST** be tested. Door **MUST** reverse on contact with 40mm high object on the floor.



## ⚠ WARNING

Without a properly installed safety reversing sensor, persons (particularly small children) could be **SERIOUSLY INJURED** or **KILLED** by a closing garage door.



## IMPORTANT SAFETY INSTRUCTIONS

### **WARNING**

#### To reduce the risk of severe injury or death:

1. READ AND FOLLOW ALL WARNINGS AND INSTRUCTIONS.
2. ALWAYS keep remote controls out of reach of children. NEVER permit children to operate or play with garage door control push buttons or remote controls.
3. ONLY activate garage door when it can be seen clearly, it is properly adjusted, and there are no obstructions to door travel.
4. ALWAYS keep garage door in sight until completely closed. NO ONE SHOULD CROSS THE PATH OF THE MOVING DOOR.
5. If possible, use emergency release handle to disengage trolley ONLY when garage door is CLOSED. Weak or broken springs or unbalanced door could result in an open door falling rapidly and/or unexpectedly.
6. NEVER use emergency release handle unless garage doorway is clear of persons and obstructions.
7. NEVER use handle to pull garage door open or closed. If rope knot becomes untied, you could fall.
8. If one control (force or travel limits) is adjusted, the other control may also need adjustment.
9. After ANY adjustments are made, the safety reversal system MUST be tested.
10. Safety reversal system MUST be tested every month. Garage door MUST reverse on contact with 40mm high object on the floor.
11. ALWAYS KEEP GARAGE DOOR PROPERLY BALANCED (see page 3). An improperly balanced door may not reverse when required and could result in severe injury or death.
12. All repairs to cables, spring assemblies and other hardware, all of which are under EXTREME tension, MUST be made by a trained door systems technician.
13. ALWAYS disconnect electric power to garage door opener before making any repairs or removing covers.
14. **SAVE THESE INSTRUCTIONS.**

### *Using Your Garage Door Opener*

Your opener will operate with up to twelve remote control transmitters, one entry keypad, and one dip-switch code transmitter. If you purchase a new remote, or if you wish to deactivate any remote, follow the instructions in the *Programming* section.

#### **Activate your opener with any of the following:**

- *The hand-held Remote Control:* Hold the large push button down until the door starts to move.
- *The wall-mounted Door Control (Optional):* Hold the push button down until the door starts to move.
- *The Keyless Entry (Optional):* Must be programmed before use.

#### **When the opener is activated:**

1. If open, the door will close. If closed, it will open.
2. If closing, the door will stop and reverse.
3. If opening, the door will stop.
4. If the door has been stopped in a partially open position, it will close.
5. If obstructed while closing, the door will reverse. If the obstruction interrupts the sensor beam, the opener lights will blink for five seconds.
6. If obstructed while opening, the door will stop.
7. If fully open and the Infa-Red Safety Beam is installed, the door will not close when the beam is broken. The sensor has no effect in the opening cycle.

**The opener light** will turn on under the following conditions: when the opener is initially plugged in; when power is restored after interruption; when the opener is activated.

It will turn off automatically after 4-1/2 minutes. Globe size is 40 watts maximum.

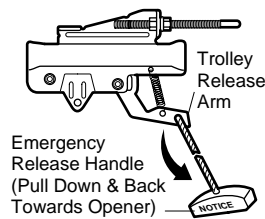
## To Open the Door Manually

### **⚠ WARNING**

- To prevent possible **SERIOUS INJURY** or **DEATH** from a falling garage door:
  - If possible, use emergency release handle to disengage trolley **ONLY** when garage door is **CLOSED**. Weak or broken springs or unbalanced door could result in an open door falling rapidly and/or unexpectedly.
  - **NEVER** use emergency release handle unless garage doorway is clear of persons and obstructions.
- **NEVER** use handle to pull door open or closed. If rope knot becomes untied, you could fall.

### **DISCONNECT THE TROLLEY:**

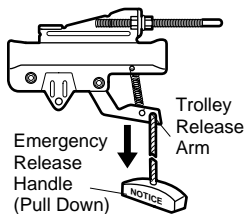
The door should be fully closed if possible. Pull the emergency release handle toward the opener at a 45° degree angle (so that the trolley release arm locks into place) and lift the door manually. The *lockout feature* prevents the trolley from reconnecting automatically, and the door can be raised and lowered manually as often as necessary.



**Lockout position  
(Manual disconnect)**

### **TO RE-CONNECT THE TROLLEY:**

Pull the emergency release handle straight down so that the trolley release arm returns up. The trolley will reconnect on the next **UP** or **DOWN** operation, either manually or by using the door **To reconnect** control or remote.



## Care of Your Opener

### **LIMIT AND FORCE ADJUSTMENTS:**

Weather conditions may cause some minor changes in door operation requiring some re-adjustments, particularly during the first year of operation.

Pages 25 and 26 refer to the limit and force adjustments. Only a screwdriver is required. Follow the instructions carefully.

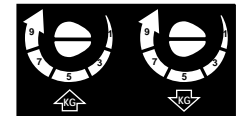
**Repeat the safety reverse test (Adjustment Step 3, page 27) after any adjustment of limits or force.**

### **Limit Controls**



Adjustment Label  
(Located on the left side panel)

### **Force Controls**



Adjustment Label  
(Located on the back panel)

### **MAINTENANCE SCHEDULE**

#### **Once a Month**

- Manually operate door. If it is unbalanced or binding, call for professional garage door service.
- Check to be sure door opens & closes fully. Adjust limits and/or force if necessary. (See pages 25 and 26.)
- Repeat the safety reverse test. Make any necessary adjustments. (See Adjustment Step 3.)

#### **Twice a Year**

- Check chain tension. Disconnect trolley first. Adjust if necessary (see page 11).

#### **Once a Year**

- Oil door rollers, bearings and hinges. The opener does not require additional lubrication. Do not grease the door tracks.
- Lubricate the chain.

### **THE REMOTE CONTROL BATTERY**

### **⚠ WARNING**

- To prevent possible **SERIOUS INJURY** or **DEATH**:
- **NEVER** allow small children near batteries.
  - If battery is swallowed, immediately notify doctor.

The lithium battery should produce power for up to 5 years. To replace battery, use the visor clip or screwdriver blade to pry open the case. Insert battery positive side up.

Dispose of old battery properly.

## Troubleshooting

### **1. The opener doesn't operate from either the optional door control or the remote control:**

- Does the opener have electric power? Plug a lamp into the outlet. If it doesn't light, check the fuse box or the circuit breaker. (Some outlets are controlled by a wall switch.)
- Have you disabled all door locks? Review installation instruction warnings on page 11.
- Is there a build-up of ice or snow under the door? The door may be frozen to the ground. Remove any restriction.
- The garage door spring may be broken. Have it replaced.
- Repeated operation may have tripped the overload protector in the motor. Wait 15 minutes and try again.

### **2. Opener operates from the remote, but not from the optional door control:**

- Is the door control lit? If not, remove the bell wire from the motor unit terminals. Short the red and white terminals by touching both terminals at the same time with a piece of wire. If the opener runs, check for a faulty wire connection at the door control, a short under the staples, or a broken wire.
- Are the wiring connections correct? Review *Installation Step 6*, page 18.

### **3. The door operates from the optional door control, but not from the remote control:**

- Is the door push button flashing? If your model has the Lock feature, make sure it is off.
- Program the opener to match the remote control code. (Refer to instructions on the opener panel.) Repeat with all remotes.

### **4. The remote control has short range:**

- Change the location of the remote control in your car.
- Check to be sure the antenna on the back panel of opener extends fully downward.
- Some installations may have shorter range due to a metal door, foil backed insulation, or metal garage siding.
- Is battery installed or weak? Replace battery.

### **5. Opener noise is disturbing in living quarters of home:**

- If operational noise is a problem because of proximity of the opener to the living quarters, the Vibration Isolator Kit (62155) can be installed. This kit was designed to minimize vibration to the house and is easy to install.

### **6. The garage door opens and closes by itself:**

- Be sure that all remote control push buttons are off.
- Remove the bell wire from the door control terminals and operate from the remote only. If this solves the problem, the door control is faulty (replace), or there is an intermittent short on the wire between the door control and the opener.
- Clear memory and re-program all remote controls.

### **7. The door doesn't open completely:**

- Is something obstructing the door? Is it out of balance, or are the springs broken? Remove the obstruction or repair the door.
- If the door is in good working order but now doesn't open all the way, increase the up force. See *Adjustment Step 2*.
- If the door opens at least 1.5m, the travel limits may need to be increased. One turn equals 50mm inches of travel. See *Adjustment Step 1*.

*Repeat the safety reverse test after the adjustment is complete.*

### **8. The door stops but doesn't close completely:**

- Review the travel limits adjustment procedures on page 25.

*Repeat the safety reverse test after any adjustment of door arm length, close force or down limit.*

### **9. The door opens but won't close:**

- If the opener light blinks, check the safety reversing sensor.
- If the opener light doesn't blink and it is a new installation, check the down force. See *Adjustment Step 2*, page 26. For an existing installation, see below.

*Repeat the safety reverse test after the adjustment is complete.*

### **10. The door reverses for no apparent reason and opener light doesn't blink:**

- Is something obstructing the door? Pull the emergency release handle. Operate the door manually. If it is unbalanced or binding, call for professional B&D garage door service.
- Clear any debris, ice or snow from the garage floor area where the door closes.
- Review *Adjustment Step 2* on page 26.
- If door reverses in the fully closed position, decrease the travel limits (*Adjustment Step 1*).

*Repeat safety reverse test after adjustments to force or travel limits. The need for occasional adjustment of the force and limit settings is normal. Weather conditions in particular can affect door travel.*

### **11. The door reverses for no apparent reason and opener light blinks for 5 seconds after reversing:**

- Check the safety reversing sensor. Remove any obstruction or align the receiving eye.

### **12. The opener light doesn't turn on:**

- Replace the light globe (40 watts maximum). Use a rough service/heavy duty light globe if regular globe burns out.

### **13. The opener light doesn't turn off:**

- Is the Light feature on? Turn it off.
- There may be a defective earth connection. The operator must be properly earthed.

### **14. The opener strains or maximum force is needed to operate door:**

- The door may be out of balance or the springs may be broken. **Close the door** and use the emergency release handle to disconnect the trolley. Open and close the door manually. A properly balanced door will stay in any point of travel while being supported entirely by its springs. If it does not, disconnect the opener and call a professional garage door serviceman. **Do not increase the force to operate the opener.**

### **15. The opener motor hums briefly, then won't work:**

- The garage door springs may be broken. See above.
- If the problem occurs on the first operation of the opener, door may be locked. Disable the door lock.

*Repeat the safety reverse test after the adjustment is complete.*

### **16. The opener won't operate due to power failure:**

- Use the emergency release handle to disconnect the trolley. The door can be opened and closed manually. When power is restored, press the Door Control push button and trolley will automatically reconnect (unless trolley is in lockout position.) See page 29.
- The Emergency Access Device accessory (for use on garages with no service door) disconnects the trolley from outside the garage in case of power failure.

### **17. The chain droops or sags:**

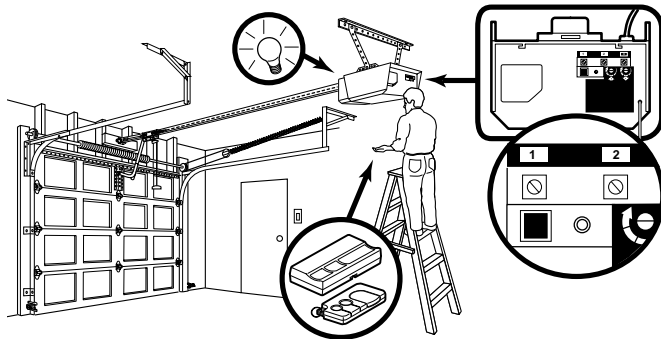
- It is normal for the chain to droop slightly in the closed door position. Use the emergency release to disconnect the trolley. If the chain returns to normal height when the trolley is disengaged and the door reverses on a 40mm board, no adjustments are needed (see page 11).

# PROGRAMMING

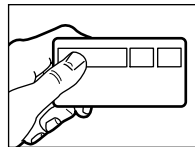
Below are instructions for programming your opener to operate with remote control transmitters.

## To Code a Hand-held Remote Control Transmitter

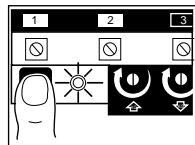
### USING THE "SMART" BUTTON



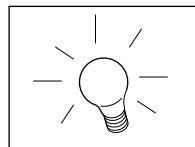
1. Press and hold the button on the hand-held remote\* that you wish to operate your garage door.



2. Press and release the "Smart" button on the back panel of the opener.



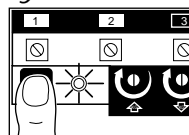
3. The light globe will blink when the code has been accepted. If light globe is not installed, two clicks will be heard.



## To Erase All Codes From Opener Receiver Memory

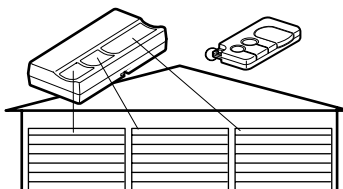
To deactivate any unwanted remote, first erase all codes:

Press and hold the "Smart" button on opener until the smart indicator light goes out (approximately 6 seconds). All previous codes are now erased. Reprogram each remote or keyless entry you wish to use.



### \*Multi-Function Remotes

If provided with your garage door opener, the large button is factory programmed to operate it. Additional buttons on any multi-function remote or mini-remote can be programmed to operate other garage door openers.



# SPECIFICATIONS

Horsepower .....1/2  
 Rated Pull Force.....800N

### Motor

Type .....Permanent split capacitor  
 Speed .....1500 rpm  
 Volts .....230-240 Volts AC-50Hz Only  
 Current.....2.0 amperes

### Drive Mechanism

Gears .....16:1 worm gear reduction  
 Drive .....Chain with one-piece trolley on steel T-rail.  
 Length of Travel.....Adjustable to 2,29m (7-1/2 feet)  
 Travel Rate .....127-178mm (5"-7") per second  
 Lamp.....On when door starts, off 4-1/2 minutes after stop.  
 Door Linkage .....Adjustable door arm. Pull cord trolley release.

### Safety

Personal.....Push button and automatic reversal in **down** direction. Push button and automatic stop in **up** direction.  
 Electronic.....Independent **up** and **down** force adjustment screws.  
 Electrical .....Motor overload protector and low voltage push button wiring.  
 Limit Device .....Circuit actuated by limit nut.  
 Limit Adjustment .....Screwdriver adjustment on side panel.  
 Start Circuit.....Low voltage push button circuit.

### Dimensions

Length (Overall).....3,1m (122-1/2")  
 Headroom Required .....5cm (2")  
 Hanging Weight .....14,5 kg (32 lb)

### Receiver

Operating Frequency.....433.92MHz  
 Computer Codes .....12  
 Code Switch Code.....1  
 Keypad Code.....1

## WARRANTY

### Controll-A-Door Automatic Garage Door Opener

#### 1. Definitions

'B&D' means

- (a) in Australia - B&D Australia of 34-36 Marigold Street Revesby New South Wales 2212, a division of Kalford Pty Ltd (ABN 25 010 473 971), or
- (b) in New Zealand - B&D Doors NZ Ltd of 70 Allens Road East Tamaki Auckland, which is a subsidiary of Kalford Pty Ltd (an Australian company).

'Purchaser' means the purchaser of the Opener.

'Opener' means the 'Controll-A-Door Automatic Garage Door Opener'

'Authorised Distributor' means an authorised B&D distributor of the Opener.

'Major Components' means all components of the Opener that make up the power head (including any track assembly, if any), that is attached to a garage door.

'Ancillary Components' means all components of the Opener which are not Major Components.

'Manufacturer's Written Instruction Manual' means the instruction manual provided with the Opener.

- 2. This warranty applies to every sale of an Opener to a Purchaser by B&D or its Authorised Distributor, and is the only warranty given on behalf of B&D.

- 3. B&D warrants that it will, at its option, either repair or replace any defects:

- (i) in materials or workmanship in the Opener, subject to the following:
  - (a) for Major Components of the Opener that are installed by B&D or an Authorised Distributor the warranty shall be valid for a period of sixty (60) months;
  - (b) for Major Components of the Opener that are not installed by B&D or an Authorised Distributor the warranty shall be valid for a period of twelve (12) months, provided that all costs of disconnection, reinstallation and freight shall be borne by the Purchaser.
  - (c) for Ancillary Components of the Opener the warranty shall be valid for a period of twelve (12) months.
- (ii) in installation for a period of twelve (12) months from the date of installation where the Opener has been installed by B&D or its Authorised Distributor.

- 4. The warranties provided in clause 3(i) shall only apply to an Opener which is being used under normal use and service in accordance with the Manufacturer's Written Instruction Manual and are limited to the repair or replacement, at B&D's option, of any defective Opener or parts thereof.

- 5. The warranty provided in clause 3(i) shall apply from:

- (i) the date of delivery of the Opener by B&D; or
- (ii) the date of installation of the Opener by B&D or one of its Authorised Installers; or
- (iii) the date of purchase of the Opener by the Purchaser; whichever is the later.

- 6. (i) Where the Opener has been sold to the Purchaser by B&D, the Purchaser shall make all warranty claims hereunder directly with B&D;
- (ii) Where the Opener has been sold to the Purchaser by an Authorised Distributor, the Purchaser shall make all warranty claims hereunder directly with the Authorised Distributor.

- 7. The Purchaser will pay for any service call made by B&D or an Authorised Distributor where such a call is made for the purpose of adjustment (as described in the Manufacturers Written Instruction Manual) and not for rectification of a defect pursuant to the warranty hereunder.

- 8. (i) The Purchaser shall be responsible for any expense incurred by B&D or an Authorised Distributor in ensuring that the Opener is readily accessible for any repair work carried out under this warranty.
- (ii) Where an Opener is installed outside a capital city metropolitan area and a warranty claim is made pursuant to this warranty, any travelling expenses and costs of transporting the Opener, incurred by B&D or its Authorised Distributor, shall be borne by the Purchaser.

- 9. Subject to paragraph 12 hereof;

- (i) the obligations of B&D under this warranty are limited to those contained herein and such warranties are expressly in lieu of all other warranties, express or implied, including any implied warranty of merchantability or fitness for a particular purpose and notwithstanding any course of dealing between the parties or custom and usage in the trade to the contrary.
- (ii) B&D shall not be subject to nor incur and the Purchaser releases B&D from any claim or liability (including consequential loss or damage and loss or use or profit) by reason of delay, defective or faulty materials or workmanship, negligence or any act, matter or thing done, admitted or omitted by B&D.

- 10. Subject to Clause 12 hereof, this warranty does not extend to and B&D will be relieved of all obligations, responsibilities and liabilities (direct or consequential) in the event that defects in manufacture of the Opener are directly or indirectly in the opinion of B&D due to or result from:

- (i) being fitted to any door or other closing device which is not of the type or condition defined in the Manufacturers Written Instruction Manual as suitable for installation of the Opener.
- (ii) Lack of proper maintenance or care of the Opener.
- (iii) Incorrect and unreasonable use.
- (iv) Faulty installation or adjustment of the Opener or door to which the Opener is connected where such installation or adjustment is not carried out by B&D or one of its Authorised B&D Distributors.
- (v) Failure to observe any instructions or directions provided with the Opener or given to the Purchaser by B&D or an Authorised Distributor.
- (vi) Modifications or repairs made or attempted to be made by any unauthorised person.
- (vii) Faulty electrical wiring of structures to which the Opener is affixed.
- (viii) Radio (including citizen band transmissions) or other electronic interference.
- (ix) Water damage, including effects from rust and corrosion.
- (x) Use with doors locked.
- (xi) Operation of the opener with excessively high opening or closing force settings.

- 11. The warranty contained in Clause 3 does not cover batteries or globes and B&D shall not be liable for any defect, malfunction or failure of such items.

- 12. It is expressly provided that the warranties or any terms and conditions of them or other statement contained in this document or other literature given to the Purchaser shall not be read or applied so as to purport to exclude, restrict or modify or have the effect of excluding, restricting or modifying the application in relation to the supply of the Opener of all or any of the provisions of Divisions 2 and 2A of Part V of the Trade Practices Act, 1974, or the Consumer Guarantees Act 1993 if the purchase is a 'consumer' and purchased the opener in New Zealand, ("The Act") as amended or the exercise of a right conferred by such a provision or any other condition or warranty implied by any relevant State Act or Territorial Ordinance or by the general law and which by law cannot be excluded, restricted or modified provided that to the extent that the Act permits B&D to limit its liability for a breach of condition or warranty implied by the Act, B&D's liability for such breach shall be limited to the payment of the cost of replacing the Opener or acquiring an equivalent Opener or repairing the Opener.

- 13. This warranty shall be governed by and construed in accordance with Australian law if the opener was purchased in Australia, or New Zealand law if the opener was purchased in New Zealand.

- 14. Upon making a claim under this warranty the purchaser must produce proof of the date of purchase, together with the warranty certificate set out below:

**Purchased from:** \_\_\_\_\_

**Installed by:** \_\_\_\_\_

**Installed on (date):** \_\_\_\_\_

The Purchaser shall complete this certificate and keep it together with a copy of the receipt of purchase in a safe place – production of such information will assist the handling of a claim made under this warranty.