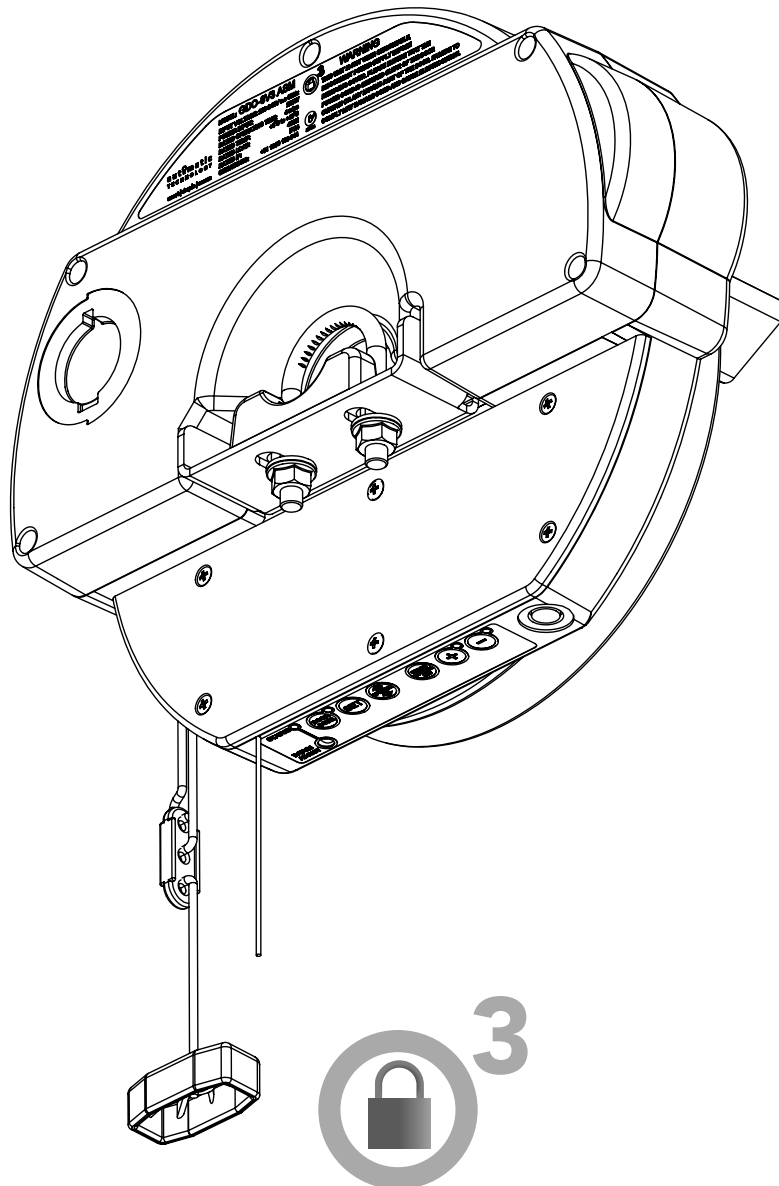




# GDO-8 Shed Master®

Weather Resistant Roll Up Door Opener



Featuring **TrioCode™** Technology

automatic  
TECHNOLOGY  
smart | simple | secure

Technical Document

Installation Manual

v **1.01**

14 Dec 2011

English

Part # 13242 (Manual)



**WARNING:** It is vital for the safety of persons to follow all instructions. Failure to comply with the installation instructions and the safety warnings may result in serious personal injury and/or property and remote control opener damage. Please save these instructions for future reference.

Automatic Technology Australia Pty Ltd to the extent that such may be lawfully excluded hereby expressly disclaims all conditions or warranties, statutory or otherwise which may be implied by laws as conditions or warranties of purchase of an Automatic Technology Australia Pty Ltd Roll Up Garage Door Opener. Automatic Technology Australia Pty Ltd hereby further expressly excludes all or any liability for any injury, damage, cost, expense or claim whatsoever suffered by any person as a result whether directly or indirectly from failure to install the Automatic Technology Australia Roll Up Garage Door Opener in accordance with these installation instructions.



# GDO-8 Shed Master®

## Roll Up Garage Door Opener

Important Safety Instructions	4
Features	6
Operating Controls	8
Package Contents	10
Before Installation	11
Mounting The Opener	12
Setting Limits	13
Safety Obstruction Force Test	16
Adjusting Safety Obstruction Forces	17
Coding Transmitters	18
Remote Code Set Procedure	19
Deleting Transmitters	20
PE Beam And Final Setup	21
Parameters	22
Default Settings and Specifications	23
Trouble Shooting Guide	24
Maintenance	25
Parts List	26
Warranty	27





# Important Safety Instructions

**WARNING: It is vital for the safety of persons to follow all instructions. Failure to comply with the following Safety instructions may result in serious personal injury and/or property damage.**

FOR **ADDITIONAL SAFETY** protection we strongly recommend the fitting of a Photo Electric PE Beam. In most countries PE Beams are mandatory on all garage doors fitted with automatic openers. For a small additional outlay Automatic Technology recommends that PE Beams be installed with the GDO-8 Shed Master® ensuring additional safety and peace of mind.



**DO NOT** operate the GDO-8 Shed Master® unless the garage door is in full view and free from objects such as cars and children/people. Make sure that the door has finished moving before entering or leaving the garage.

**DO NOT** operate the GDO-8 Shed Master® when children/people are near the door. Children must be supervised near the garage door at all times when the GDO-8 Shed Master® is in use. **Serious personal injury** and/or property damage can result from failure to follow this warning.

**DO NOT** allow children to operate the GDO-8 Shed Master®. **Serious personal injury** and/or property damage can result from failure to follow this warning.

Regularly check to make sure that the **safety obstruction force** is working correctly, and is **tested** and set as per page 16 of this Manual. Failure to follow this could result in **serious personal injury** and/or property damage. This test must be repeated at regular intervals and the necessary adjustments made as required.

Doors requiring over 400N of force to move must have PE Beams installed.

**DO NOT** disengage the GDO-8 Shed Master® to manual operation with children/people or any other objects including motor vehicles within the doorway. Install the wall switch or wall mounted transmitter in a location where it is out of reach of children and the garage door is visible.



# Important Safety Instructions

The GDO-8 Shed Master ® is not intended for use by young children or infirm people without adequate supervision. Children should be supervised to ensure they do not play with the remote transmitters or the GDO-8 Shed Master ® .

Keep hands and loose clothing **clear** of the door and GDO-8 Shed Master ® at all times.

The unit is rated to IP24, however, it should be installed so that it is protected from the elements. Where possible it should not be exposed to water or rain. **It is not to be** immersed in water or **sprayed directly by a hose or other water carrying device.**

The garage door must be **well balanced**. Sticking or binding doors must be repaired by a qualified garage door installer prior to installation of the GDO-8 Shed Master ® .

Frequently examine the installation, in particular cables, springs and mountings for signs of wear, damage or imbalance. **DO NOT** use if repair or adjustment is needed since a fault in the installation or an incorrectly balanced door may cause injury. **DO NOT** attempt to repair the door yourself as hardware is under extreme tension.

**Remove or disengage** all garage door locks and mechanisms prior to installation of the GDO-8 Shed Master ® .

Connect the GDO-8 Shed Master ® to a properly **earthed** general purpose 240V mains power outlet installed by a qualified electrical contractor. The outlet (and GDO-8 Shed Master ® ) must be positioned so that it is easily accessible.

**Disconnect the power cord** from mains power before making any repairs or removing covers. Only **experienced** service personnel should remove covers from the GDO-8 Shed Master ® .

In order for the GDO-8 Shed Master ® to **sense** an object obstructing the door way, some **force** must be exerted on the object. As a result the object, door and/or person may suffer **damage or injury**.

If the power supply cord is damaged, it **must** be replaced by an Automatic Technology service agent or suitably qualified person.

Make sure that the door is fully open before driving in or out of the garage and fully closed before leaving the driveway.

Make sure that remote controls are kept out of reach of children.





# Features

Thank you for purchasing the Automatic Technology GDO-8 Shed Master® Automatic Roll Up Garage Door Opener. Designed by our renowned engineers to suit vertical operating continuous curtain roll up doors, the GDO-8 Shed Master® will provide years of smart, simple & secure convenience to your home.

## Operation

To open or close the door simply press a button on a TrioCode™ transmitter, or optional wall switch for two seconds. During open and close cycles the door can be stopped by pressing the button again. The next actuation will move the door in the opposite direction.

## TrioCode™ Code Hopping Technology

Every time a TrioCode™ transmitter is used, a new security code is randomly generated from over 4.29 billion possibilities. This greatly enhances the security of the system and makes "code grabbing" a thing of the past

These transmitters also overcome interference issues by simultaneously sending a signal over three slightly different frequencies. Even if two of the three signals are jammed, the system will still work.

## Security Code Store

The GDO-8 Shed Master® Roll up Garage Door Opener uses revolutionary technology to securely store eight (8) different TrioCode™ transmitters in its memory.

## Weatherproof Design

The opener's control board is housed in a weather-proof enclosure rated to IP24. This offers protection from rain and the elements. **PLEASE NOTE - the unit should not be sprayed by a hose or any other water carrying device.**

## S-ALPS (Semi Automatic Limits Positioning System)

The S-ALPS system does away with manual adjustment of the door's limits position using mechanical parts, such as cams and microswitches. During installation the handheld transmitter can be programmed to set the limits positions.

## Overload Indicator

When the maximum opening and closing capacity of the opener is exceeded an audible beeper will sound to indicate that an overload has occurred.





### **ISS (Intelligent Safety Obstruction System)**

While the door is performing a close cycle, should it hit an obstacle or be restricted in some manner, it will automatically reverse. The amount of force the door should encounter before reversing is automatically adjusted by the doors control system during the initialisation of the automatic door opener. The door will also stop if restricted whilst opening. The Safety Obstruction Force should be checked at least once a month. See page 16 of this manual for instructions.

### **Lockable Control Panel**

The control panel can be locked and disabled to prevent tampering. This is useful if the opener is to be mounted on an exposed carport or a perimeter door. Locking the control panel will prevent operating the door via the Operate button, re-profiling the door, clearing limits, clearing transmitters, changing force margins, and coding transmitters.

### **Photo Electric (PE) Beam (optional)**

The opener has an input for a PE beam to be connected for extra safety protection.

### **Secure Light Module (optional)**

An external secure light module is available to connect to the GDO-8 Shed Master® opener. The light stays on for approximately four minutes after the operation of opener.

### **Manual Operation**

The opener is equipped with a unique patented manual disengaging device. If the power to the opener is disrupted for any reason, the door can be put into manual mode by pulling down on the string handle, then releasing. This will allow you to manually open or close the door. When power is restored, by pulling down on the string handle and releasing, the opener is put back into automatic mode.

### **Security Lock For Manual Release Handle (optional)**

For added security the manual release handle can be locked out or disabled. This is ideal if the opener is to be mounted on a perimeter door in an exposed carport.





# Operating Controls

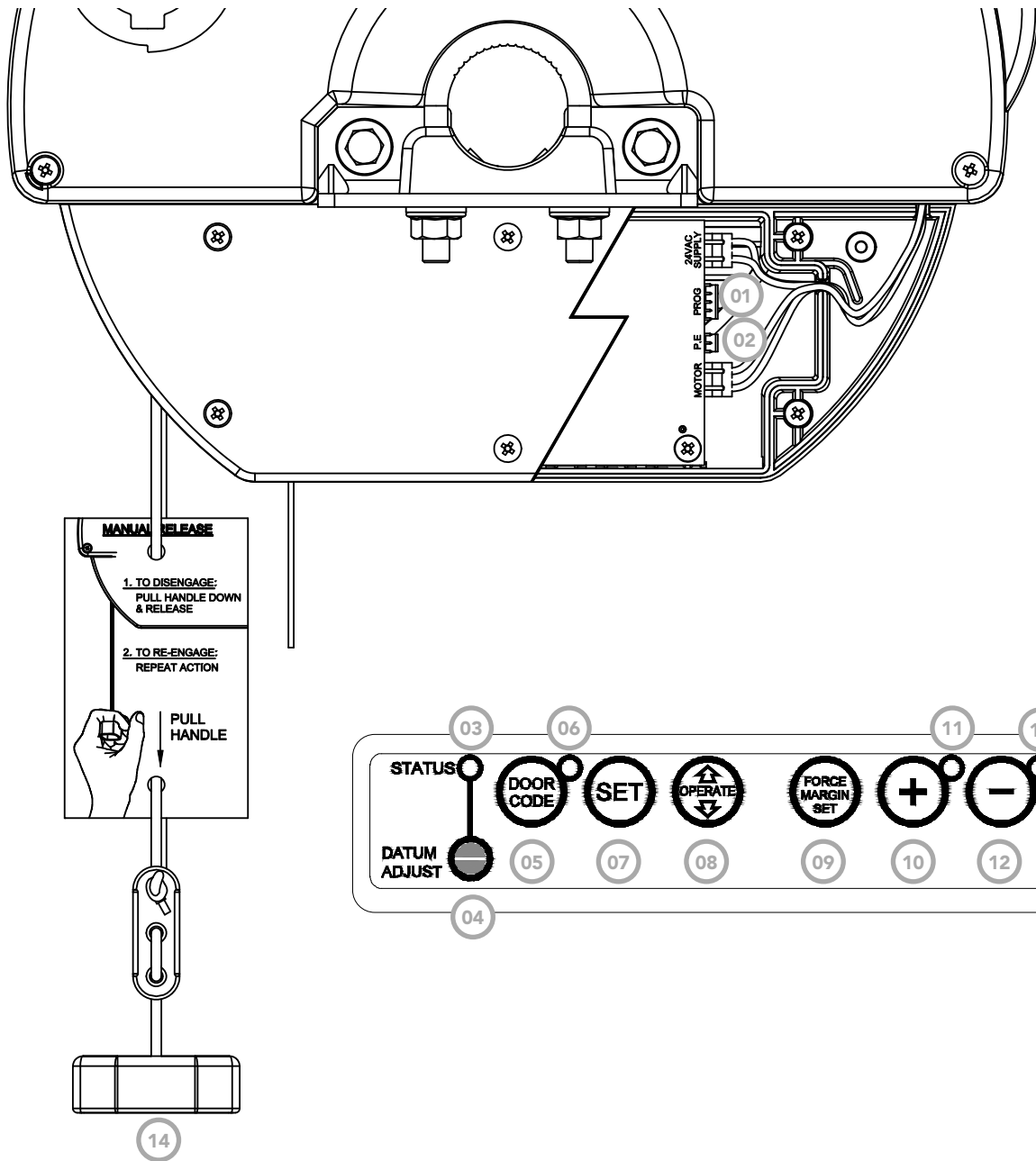
- 01 **Prog input** is used for the connection of the Automatic Technology PG-3 Universal Programmer for the purpose of editing control and receiver functions.
- 02 **PE Connector** is used to connect PE Beams
- 03 **Status LED** (yellow) indicates when the datum adjustment screw has reached correct position.
- 04 **Datum Adjust Screw** Used to set mid-point of door travel during limits set up.
- 05 **Door Code** button (blue) is used for storing or erasing the transmitter button you wish to use to command the door to open, stop or close.
- 06 **Coding LED** (red) light indicates whether a code is being stored or when a transmitter button is pressed.
- 07 **Set** button (orange) is used during the installation phase together with the Plus and Minus buttons to set the door limit positions. The Set button is also used to re-initialise the Opener.
- 08 **Operate** button (blue) is used during installation to test the open, stop and close cycles for the opener. The opener has to be initialised by the Set button before the OPERATE button becomes operable.
- 09 **Force Margin Set** The obstruction force pressure is set automatically by the opener during installation. The pressure can be adjusted manually using the Force Margin Set button (White). Pressing the force margin set button and open or close button will increase or decrease the amount of force. The Force Margin Set is only ever used if other environmental factors (wind, etc.) affect the operations of the door/opener.
- 10 **Plus** button (green - for limits setting and force margin) can be used during installation to set the open limit position. Pressing this button will move the door in the open direction. Movement stops when the button is released. NOTE: The open safety obstruction detection is inoperable whenever the Close Drive button is used to move door. This button is disabled after initialisation. This button is also used to increase the force margin sensitivity.
- 11 **Open Limit LED** (green) The led is very helpful during installation. It illuminates and flashes when the door is opening and remains steady on when the open limit position has been reached.
- 12 **Minus** button (red - for limits setting and force margin) can be used during installation to set the close limit position. Pressing this button will move the door in the close direction. Movement stops when the button is released. NOTE: The close safety obstruction detection is inoperable whenever the Close Drive button is used to move door. This button is disabled after initialisation. This button is also used to decrease the force margin sensitivity.
- 13 **Close Limit LED** (red) The led is very helpful during installation. It illuminates and flashes when the door is closing and remains steady on when the close limit position has been reached.
- 14 **Engage/Disengagement Cord** is used to switch the door into manual mode especially in case of a power failure. The length of the string is also adjustable.







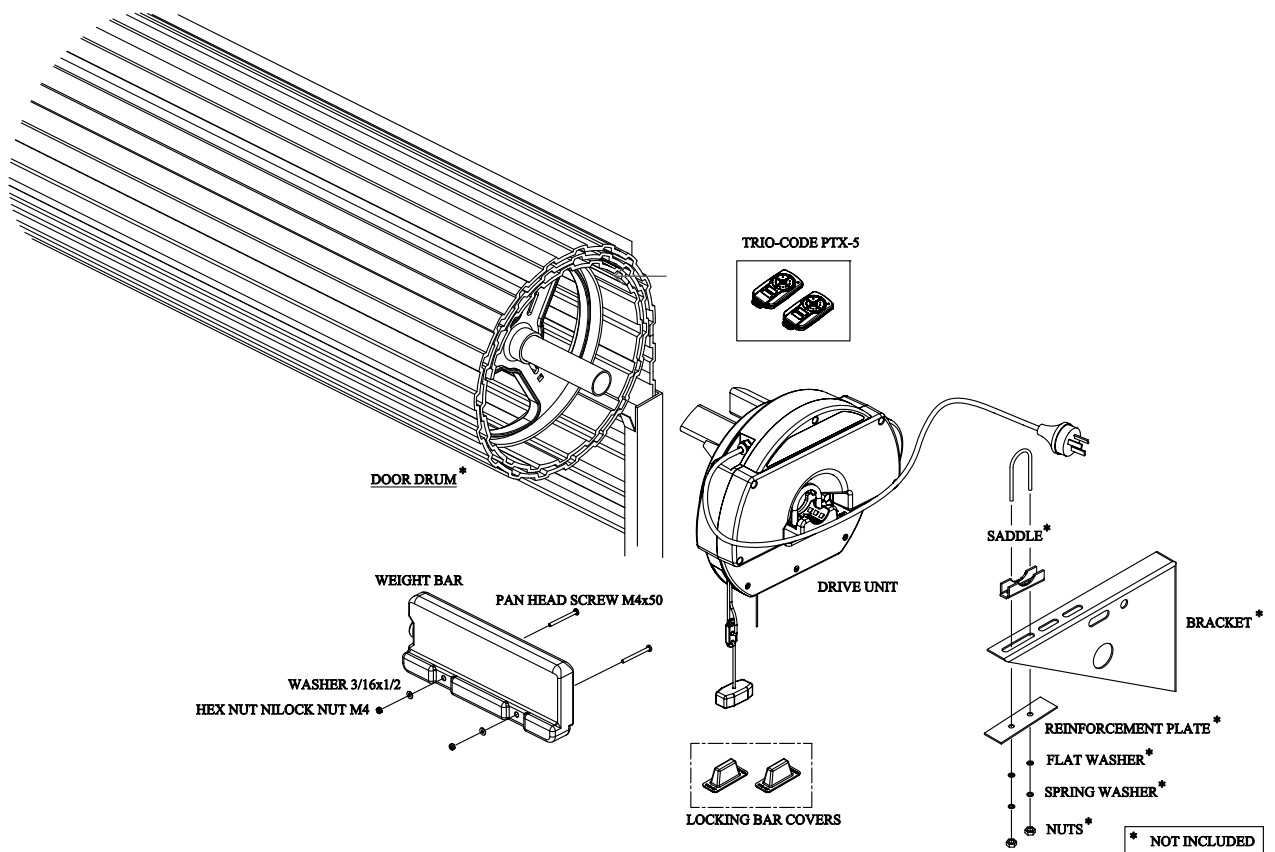
# Operating Controls

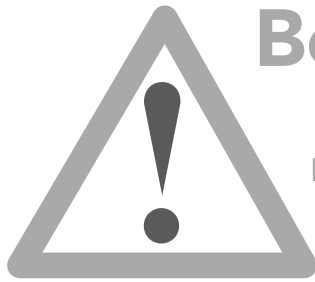




# Package Contents

GDO-8 Shed Master® drive unit	1
TrioCode™ Transmitter pack	1
(Pack includes two keyring transmitters and batteries)	
Weight bar (not included in some models)	1
Pan head screw M4x50mm (not included in some models)	2
Nilock hex nut M4 (not included in some models)	2
Flat washer I.D. 3/16 x 1/2 (not included in some models)	2
Locking bar covers	2
Installation manual	1





# Before Installation

## IMPORTANT SAFETY INSTRUCTIONS FOR INSTALLATION

**Warning: Incorrect installation can lead to severe injury.  
Follow ALL instructions.**

### Sideroom Requirements

**Fig. 01** shows the minimum and recommended side room that is required to mount the opener. The distance between the edge of the door curtain and the inside of the bracket must be at least 40mm. However, for easier access it is recommended that at least 95mm is allowed.

### 1. Check operation of door before beginning the installation of the GDO-8 Shed Master®.

The door must be well balanced and be in a reasonable operating condition. You should be able to lift the door smoothly and with little resistance. It should stay open around 900mm to 1200mm above the floor. The door should not stick or bind in the guide tracks. The ideal operational effort in raising or lowering the door should not exceed a force of 10kg (22lb). Make sure that all door locks, ropes, chains etc. are either released or disabled and remove unnecessary accessories.

### 2. Fixing Of Door Weight Bar

Move the door manually to the half open position. Place the weight bar on the bottom rail in the middle of the door and secure with the fasteners provided (**Fig. 02**). Check the operation of the door again. If the door feels heavy it may require extra tension to be added to the door springs. **IMPORTANT - Door springs are under extreme tension and should only be adjusted by a garage door professional.**

### 3. Installing Locking Bar Covers

To protect against entrapment of fingers etc. inserted into door guides – remove the protective backing of the double sided tape and install the locking bar covers over the holes in each door guide.

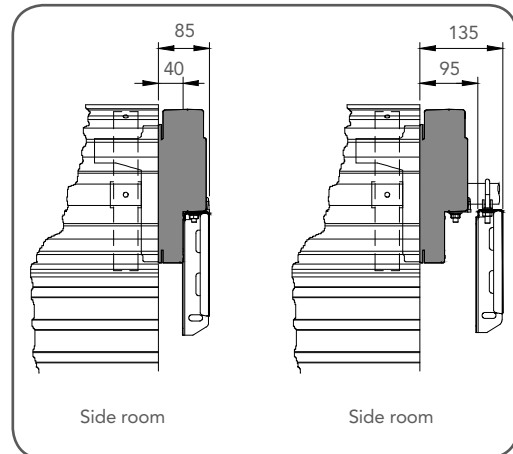


fig 01

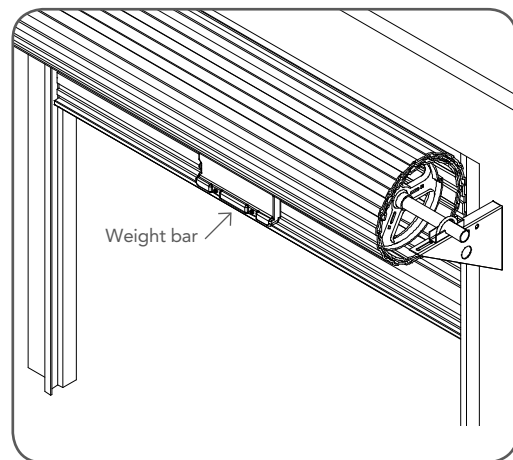


fig 02

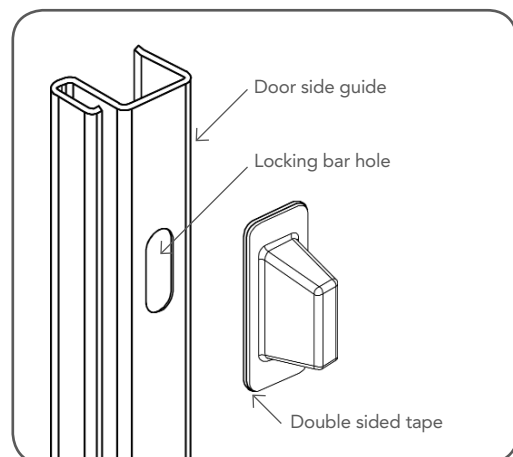


fig 03





# Mounting The Opener

fig 04

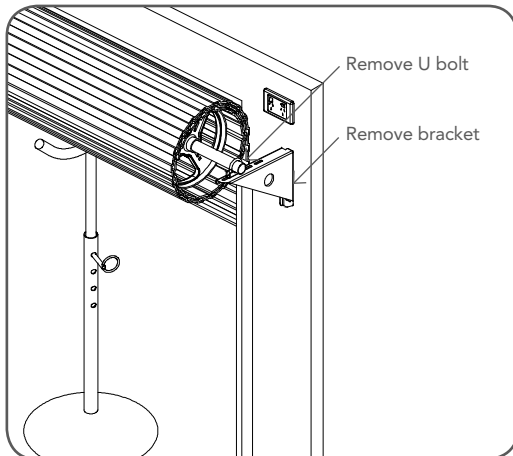


fig 05

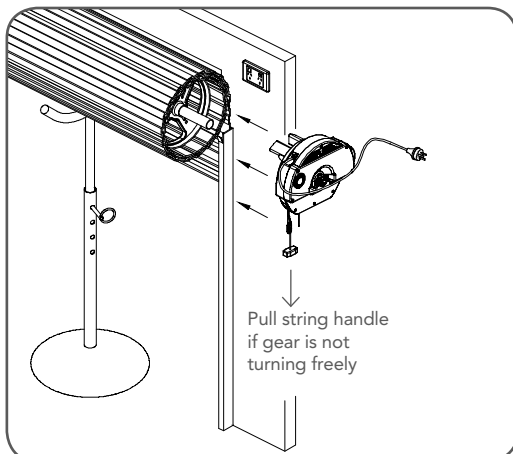
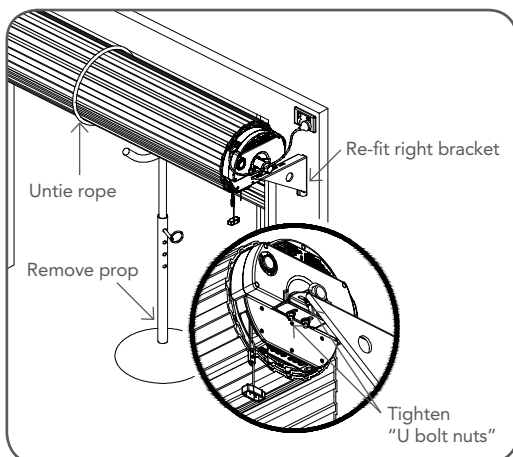


fig 06



## 4. Fixing drive unit to the door

The GDO-8 Shed Master® can be fixed to the roll up garage door in a variety of ways. Described below is one method of fixing. Make sure there is enough side room to slide the drive assembly onto shaft.

**PLEASE NOTE:** The instructions for fixing the drive assembly to the door is for right hand installation.

### Fitting drive unit to door (Fig. 04, Fig. 05 and Fig. 06).

1. Check that the door shaft U bolt is securely tightened on the left hand side of the door.
2. Raise the door and tie a rope around the centre to secure the roll.
3. Support the right hand end of the door with a suitable prop, e.g. step ladder and soft padding to protect door surface.



**WARNING:** Do not allow children/people around the door and prop. Serious personal injury and/or property damage can result from failure to follow this warning.

4. Carefully loosen and remove the right hand door shaft U-bolt.
5. Make sure that the door supporting prop is secure. While the door is supported remove the right hand door mounting bracket from wall.
6. Remove the drive assembly from the packaging. Try to rotate the drive gear by pushing on the fork. If the gear does not rotate the manual mode has to be selected. To select pull downward on the string handle, then release slowly. The drive gear should now rotate freely.
7. Slide the drive assembly over the door axle making sure that the fork extends into and over one of the spokes of the door drum wheel.
8. Refit the door mounting bracket to the wall. In some cases the bracket may have to be re-positioned. Re-fit and tighten the door shaft U-bolt. Remove door supporting prop and untie the rope from the curtain.
9. Straighten the drive assembly and position as per **Fig. 06**. Tighten the two locking bolts firmly to secure the Drive Unit.
10. Check the manual operation of the door by raising and lowering the door. The door should run smoothly and not catch on any part of the drive assembly.
11. Adjust the length of the manual release cord so that it can be easily reached by an adult of average height (ie. less than 1.8m tall).

**NOTE:** After installation, ensure that parts do not extend over public footpaths or roads.



### 5. Fixing of door curtain to drumwheel

The door curtain has to be secured to the drum wheel with suitable fasteners. This prevents unauthorised access through the door by pushing the curtain up and off the drum.

1. With the door in the fully closed position, mark the curtain (**Fig. 07**) on both ends of the door.
2. Open door slightly to have access to the marked positions. Secure the curtain to drum wheel using self drilling screws (two on each end). The screws should be at least 90 degrees apart.

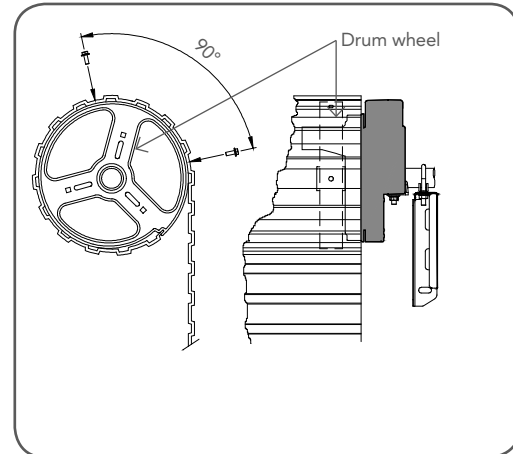


fig 07

## Setting Limits

### 6. Setting Limits

#### 6.1 Connect Power to the Powerhead

Plug the power cord into a mains point and switch power on. The red CLOSE LIMIT LED will be flashing.

#### 6.2 Coding transmitter for setting limits

1. Press and hold the Door Code button (**Fig. 09**).
2. Press button 1 (**Fig. 11**) on the transmitter for two seconds.
3. Release and pause for two seconds.
4. Press the same button transmitter again for two seconds.
5. Release the Door Code button.



**NOTE:** If PE Beams are to be used they must be installed before setting the travel limits.



**WARNING:** The safety obstruction detection system is inoperable while MINUS (-) and PLUS (+) drive buttons are being used and travel limits are not set.

**IMPORTANT NOTE:** The **OPERATE** button will not function until the open and close limits positions are set.





# Setting Limits

fig 08

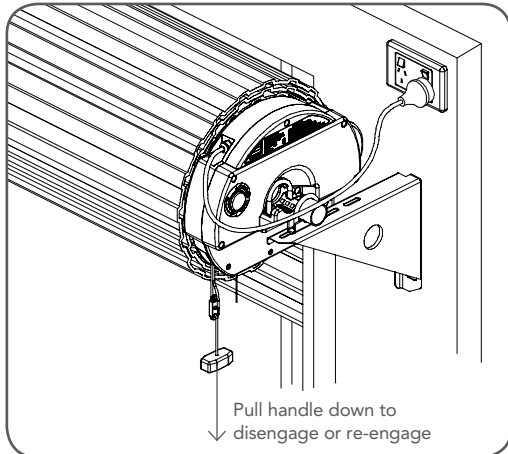
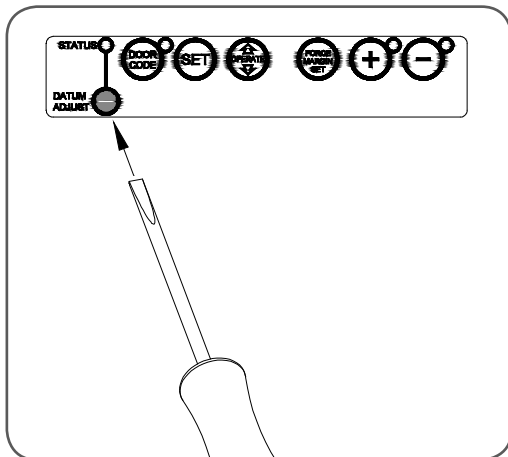


fig 09



## 6.3 Setting datum position

1. Switch the opener into manual mode (**Fig. 08**).
2. Move the door by hand to an approximately mid open position.
3. Re-engage the opener.
4. Using a small blade screw driver turn the datum adjust screw slowly until the yellow status LED just illuminates.

**NOTE:** If the status LED is already illuminated when power is connected then turn the datum adjust screw until the LED goes off then turn back one notch to illuminate again.

## 6.4 Set the Limits Positions

1. Press and hold the MINUS (-) button until the door reaches the desired close limit position. Single presses will inch the door closed (**Fig. 09**).
2. Press the LIMIT SET button to store the close position into memory (**Fig. 09**).
3. Press and hold the PLUS (+) button until the door reaches the desired open limit position. Single presses will inch the door open (**Fig. 09**).



**IMPORTANT WARNING:** The door will automatically close, open and close again **once Step 6.4(4) is performed**. Ensure that no people or objects are in the door's path.

4. Press the LIMIT SET button to store the close position into memory (**Fig. 09**).
5. The door will now automatically close and open to calculate the safety obstruction settings. After this, the opener can be operated with the OPERATE button.

## 6.5 Resetting the Door Limit Positions

Limit positions can be deleted by the following steps:

1. Press and hold the MINUS (-) button for six (6) seconds until you hear three beeps and the CLOSE LIMIT LED starts to flash.
2. Release the CLOSE button.
3. Repeat Step 6.4 to set new travel limit positions.





# Setting Limits

## 6.6 Setting limits via remote control

**PLEASE NOTE:** The opener is factory preset for installation on the RIGHT HAND SIDE. When the opener is mounted on the left side of the door the opener will travel in reverse.

1. Press button 4 to start closing the door. If the door starts to open - press the Operate button (**Fig. 10**) within two (2) seconds. Press button 4 again - the door should now close. Release the button once you are 1 to 2cm from your desired closed limit position.
2. Press button 4. Each press will enable you to inch the door to your desired closed position.
3. Once you are happy with the position, press button 2 to store the closed limit position into memory.
4. Press button 1 to start opening the door. Release the button once you are 1 to 2cm from your desired open limit position.
5. Press button 1. Each press will enable you to inch the door to your desired closed position.



**IMPORTANT WARNING:** Please be aware that the garage door will start closing automatically once step 6 is performed. The door will also automatically re-open after fully closing with a short pause between the cycles.

6. Once you are happy with the position, press button 2 to store the open limit position into memory.

The door will now automatically close to its limit position then fully open to calculate the safety obstruction forces (ISS). Please be aware of the above warning.

## 7. Resetting door limits positions

**The door limit positions can be deleted for new positions by following the steps below:**

1. Press and hold the Minus button (**Fig. 10**) for six (6) seconds until you hear three beeps and the red Close Limit LED starts to flash. Release the button.
2. Follow STEP 6.3 above to set new travel limit positions.

**IMPORTANT:** There is no need to re-code the transmitter used for setting the limit positions. After the limits are set the transmitter will automatically reset to normal operation.

**Go to STEP 8 on page 16 and test the Safety Obstruction Force.**

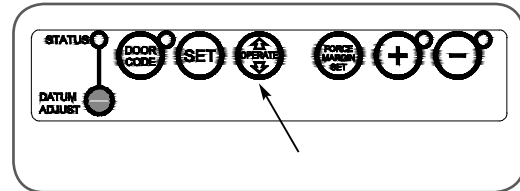


fig 10

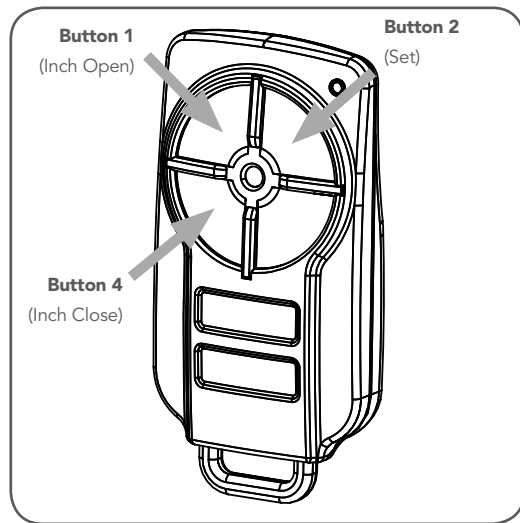


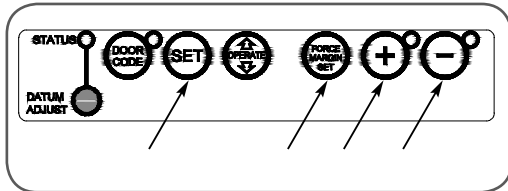
fig 11





# Safety Obstruction Force Test

fig 12

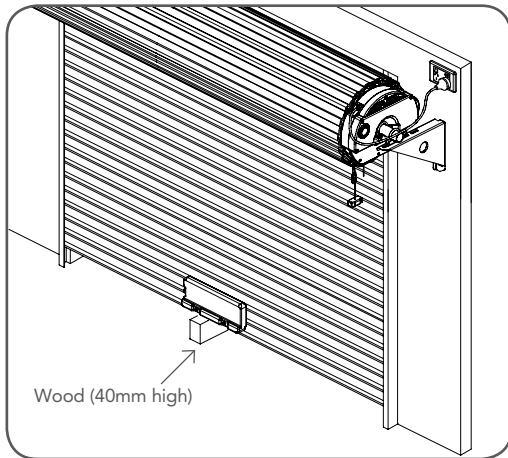


**WARNING!** Take care when testing or adjusting the Safety Obstruction Force. Excessive force may cause **SERIOUS PERSONAL INJURY** and/or **PROPERTY DAMAGE**.



**WARNING!** Photo electric beams must be installed if the closing force at the bottom edge of the door exceeds 400N (40kgf).

fig 13



## 8. Safety obstruction test

The test below should be repeated at regular intervals (approximately every two months).

### 8.1 Testing close cycle

1. Open the door by pressing the OPERATE button (**Fig. 12**).
2. Place a length of timber approximately 40mm high on the floor directly under the door (**Fig. 13**).
3. Press the OPERATE button to close door. The door should strike the object and start to re-open.

**NOTE:** If the door stops and fails to reopen, it is possible that the motor direction is set incorrectly. Change the motor direction and re test.

### 8.2 Testing open cycle

1. With the door closed - press the OPERATE button to open the door. When the door is approximately one metre above the floor, hold the bottom rail of the door firmly and the door should stop.



**IMPORTANT WARNING:** If the test fails, there may be a problem with the door, **discontinue use, put the door into manual operation and call for service.**





# Adjusting Safety Obstruction Forces

## Adjusting safety obstruction force

The Safety Obstruction Force is calculated automatically and set in memory on the GDO-8 Shed Master®. It is usually not necessary to adjust the Safety Obstruction Force. The only time the force may need to be increased is due to environmental conditions, for example, windy or dusty areas, and areas with extreme temperature changes. If adjustments are made, you must retest the obstruction force margin as per above.

### 8.3 To increase force pressure

1. Press and hold the Force Margin Set button (**Fig. 12**)
2. While holding down the Force Margin button, press the Plus button. Each press increases the force margin in both directions. The Open Limit LED will illuminate each time the Plus button is pressed. Each press increases the force margin. Test the force as per step 8.1 and 8.2. If the Open Limit LED flashes continuously when the Plus button is being pressed, this indicates that the maximum force pressure setting has been reached.

### 8.4 To decrease force pressure

1. Press and hold the Force Margin Set button (**Fig. 12**).
2. While holding down the Force Margin button, press the Minus button. Each press decreases the force margin. The Close Limit LED will illuminate each time the Minus button is pressed. Test the force as per step 8.1 and 8.2. If the Close Limit LED flashes continuously when the Minus button is being pressed, this indicates that the maximum force pressure setting has been reached.

### 8.5 To recall factory set force

1. While holding down the Force Margin Set button (**Fig. 12**) press the SET button for two (2) seconds.
2. Release both buttons. The default setting should now be recalled.

### 8.6. To re-calculate force margin (ISS)

Press and hold the Set Button for two (2) seconds, the beeper will sound once. The door will start to move and re-calculate force margins. The door can move between the open and close limit positions up to four (4) times (depending on the position of the door and the power up condition). A single beep will be heard once the process is complete. The door is now ready for use.

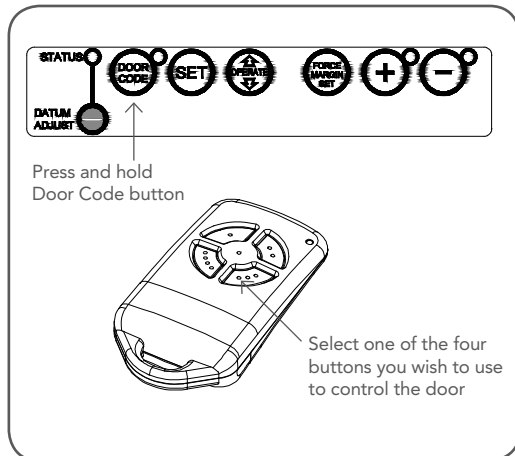
**IMPORTANT NOTE: After installation ensure that the opener stops or is prevented from opening when the door is loaded with a mass of 20kg fixed centrally at the bottom edge of the door.**





# Coding Transmitters

fig 14



## 9. Setting transmitters codes

The memory in the openers receiver can store up to (8) eight remote control transmitters.

### 9.1 Code a Transmitter Button for Door Operation

1. Press and hold the DOOR CODE button (**Fig. 14**).
2. Press one of the four buttons on the transmitter for two (2) seconds, pause for two (2) seconds, then press the same button again for two (2) seconds.
3. Release the DOOR CODE BUTTON.
4. Press the transmitter button to test.

### 9.2 Coding a Transmitter Button to the Courtesy Light

The transmitter can be programmed to operate the courtesy light on the opener independently of the door moving. Connect the external secure light module to the opener then:

1. Briefly press the DOOR CODE button once, then press it again and hold (will beep two times on second press).
2. Press one of the four (4) buttons on the transmitter for two (2) seconds, pause for two (2) seconds, then press the same button again for two (2) seconds.
3. Release DOOR CODE button.
4. Press the transmitter button to test the light.



# Remote Code Set Procedure

If a transmitter is already coded into the opener, additional transmitters can be coded without being in direct contact with the opener.

**NOTE:** Only the function of the existing transmitter button can be assigned to new transmitter. Please read instructions prior to proceeding - there is a time-out facility for security reasons.

## 10.1 Selecting the function to be coded

Using the existing transmitter, operate the door with the transmitter button which has the function to be coded (**Fig. 15**) (e.g. Button 1 has been coded with the OSC function assigned).

## 10.2 Wait for door to complete cycle

If the button's function activates the door (OSC) wait for the door to complete its cycle.

## 10.3 Activate remote code set mode

Using a small pin press and hold through the Coding Hole of the existing transmitter for two seconds (**Fig. 16**).

## 10.4 Code new transmitter button

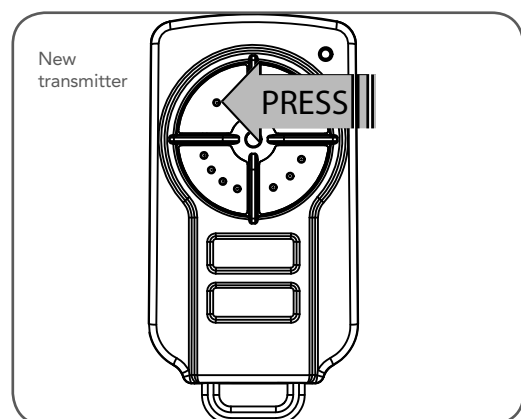
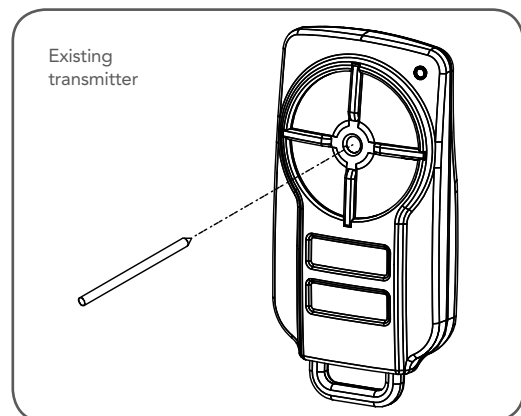
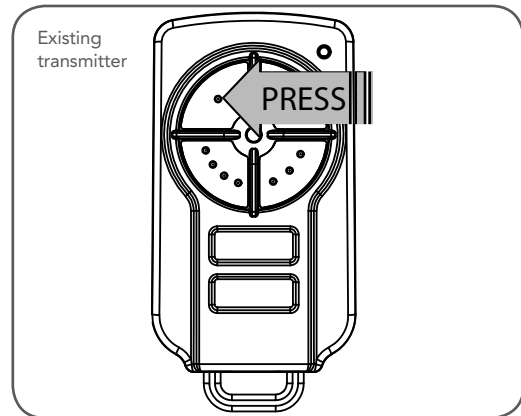
Within 10 seconds, press the button on the new transmitter you wish to code for 2 seconds (**Fig. 17**).

## 10.5 Confirm transmitter button to be coded

Press the same button again (within 10 seconds) for confirmation.

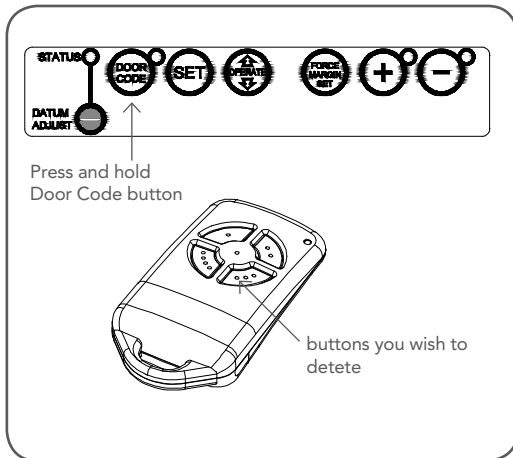
## 10.6 Test operation

The new transmitter button should now function as the existing transmitter.





# Deleting Transmitters



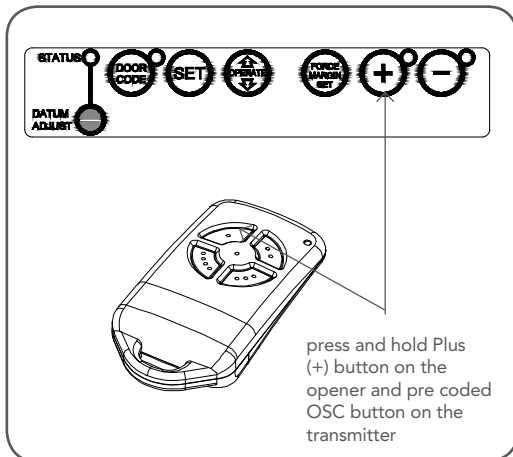
## 11. Deleting programmed codes

### 11.1 Deleting a stored transmitter code

1. Select the transmitter you want to delete.
2. Press and hold the Door Code button (**Fig. 18**).
3. Press the transmitter button you would like to delete for two seconds. Pause for two seconds. Press the transmitter button again for two seconds.
4. Release the Door Code button. The code should now be deleted. Confirm this by pressing the transmitter button. The door should not respond.

### 11.2 Deleting all stored transmitter codes

1. Turn the power off to the opener.
2. Press and hold the Door Code button (**Fig. 18**).
3. Turn the power on again while holding the Door Code button. The Open Limit, Close Limit and Door Status LED's will illuminate for about five seconds. These LED's will turn Off and the Coding LED will illuminate. Release the Door Code button. All the stored codes should now be deleted. Confirm this by trying to operate the door by pressing the transmitters previously used to control the door. The door should not respond.



## 12. Locking the control panel

To lock or disable the control panel, a transmitter button must be coded to operate the door.

1. Press and hold coded button of transmitter to operate the door and Plus (+) button on the opener together until you hear a beep (approx. four (4) seconds).
2. Release both buttons.
3. The control panel should now be locked. Press the Operate button on the opener to confirm the door does not move.

To unlock the control panel repeat the above steps.





# Parameters

## Door Status Indicators

Door Opener State	Open LED Green	Close LED Red	Door Status LED yellow	Beeper
Open	On			
Close		On		
Opening	Flashing			
Closing		Flashing		
Door travel stopped	Flashing			
Door obstructed when opening	Flashing			
Door obstructed when closed		Flashing		Beeps while door is moving
Opener overloaded	Alternating flashes	Alternating flashes		
Mains power interrupted	Rapid flashes			

Buttons	Function
Operate	Opens/Stops/Closes the door
Door code	Codes a transmitter button for OPERATE function
Force Margin Set + plus (+)	Increases the obstruction force margin setting
Force Margin Set + Minus (-)	Decreases the obstruction force margin setting
Force Margin Set (then) Set	Reloads the factory set default obstruction force margin setting
Close for 6 seconds	Clears the door limits set positions. Limits then need to be reset
Set (then power on) & hold until all LEDs are off	Deletes control parameters excluding transmitter storage memory
Door Code (then power on) & hold until all LEDs are off	Deletes all transmitter stored in memory.
Set for 2 seconds	Re-initialises the Opener to re-calculate force margins

Purchased from: \_\_\_\_\_ Phone: \_\_\_\_\_

Installed by: \_\_\_\_\_ Date: \_\_\_\_\_

Serial No: \_\_\_\_\_





# Default Settings & Specifications

## Factory Default Settings

	Default	Step	Maximum
Maximum motor run time	30 seconds	-	-
Obstruction force margin	8	1	-

## Technical Specifications

Input:	230v. - 240v AC 50Hz
Controller voltage:	24v. DC
Standby power:	2.8W
Motor power:	100W
Operating temperature	+5° to +40°C
Maximum door opening: <sup>1,2</sup>	width: 5500mm height: 2700mm weight: 100kg
Maximum lifting force:	450N (45kg)
Recommended lifting force:	120N (12kg)
Opener limits travel:	3.25 Turns of door drum wheel
Operating time - intermittent:	4 minutes
Receiver type:	UHF 433.92 MHz. am receiver
Receiver code storage capacity:	8 x 4 button TrioCode™ transmitters
Transmitter frequency:	433.92 MHz
Coding type:	Code hopping
No. of code combinations:	Over 4.29 billion random codes
Code generation:	Non-linear encryption algorithm
PTX-5 transmitter battery:	CR2032

### NOTE:

1. The maximum continuous curtain residential roll up door opening that the GDO-8 Shed Master® can be installed on is 5500mm wide by 2700mm high. The door must be well balanced. A person of average strength should be able to lift up the door manually with very little effort in case of an emergency.
2. Intermittent operations may occur in areas which experience very strong winds. The strong wind puts extra pressure on the door and tracks which may in turn trigger the safety obstruction detection system intermittently.





# Trouble Shooting Guide

## Door Status Indicators

Symptom	Possible cause	Remedy
Door will not operate	Mains power not switched on. Door is obstructed. Door is locked or motor jammed. Door tracks/hardware damaged.	Switch on mains power. Remove obstruction. Unlock door or remove jam. Door requires service/repair by qualified technician.
Door starts to close but automatically reverses to open position	Adverse weather conditions (wind or cold) causing door to stiffen and become tight in the tracks. Possible obstruction in the doorway.	Increase force margin setting See Step 8.3 on page 17 or re-calculate force margin. Remove obstruction.
Door operates from drive unit (OPERATE) button but not from transmitter* See note	Transmitter code not stored in memory. Flat battery.	Code transmitter in to openers memory. Refer step 9.1 on page 18 Replace battery - CR2032.
Door will not open or close fully.	Door limits position need to be reset.	Door limits position need to be reset. See step 6.5 on Page 14.
Door is overshooting or not reaching limits.	Datum position not set correctly.	Reset datum position. See Step 6.2 Page 14
Cannot set limits.	Datum position not set correctly.	Reset datum position. See Step 6.2 Page 14
Door not working with PE installed.	PE Beam or wiring faulty. PE Beam not aligned correctly. PE Beam is obstructed. Door obstructed when closing.	Repair PE Beam or replace wiring. Re-align optics. See PE Instructions. Remove obstruction from the path of PE. Remove obstruction.

### PLEASE NOTE:

Some areas may be prone to excessive radio interference brought on by devices such as cordless telephones, wireless stereo headphones and baby monitors. It is possible that these devices could cause a degree of interference such as to greatly reduce the range of the transmitter. In such an instance please contact your Automatic Technology dealer for an alternative frequency replacement kit. As this is not a warrantable situation but an environmental issue charges may apply for the changeover.







# Maintenance

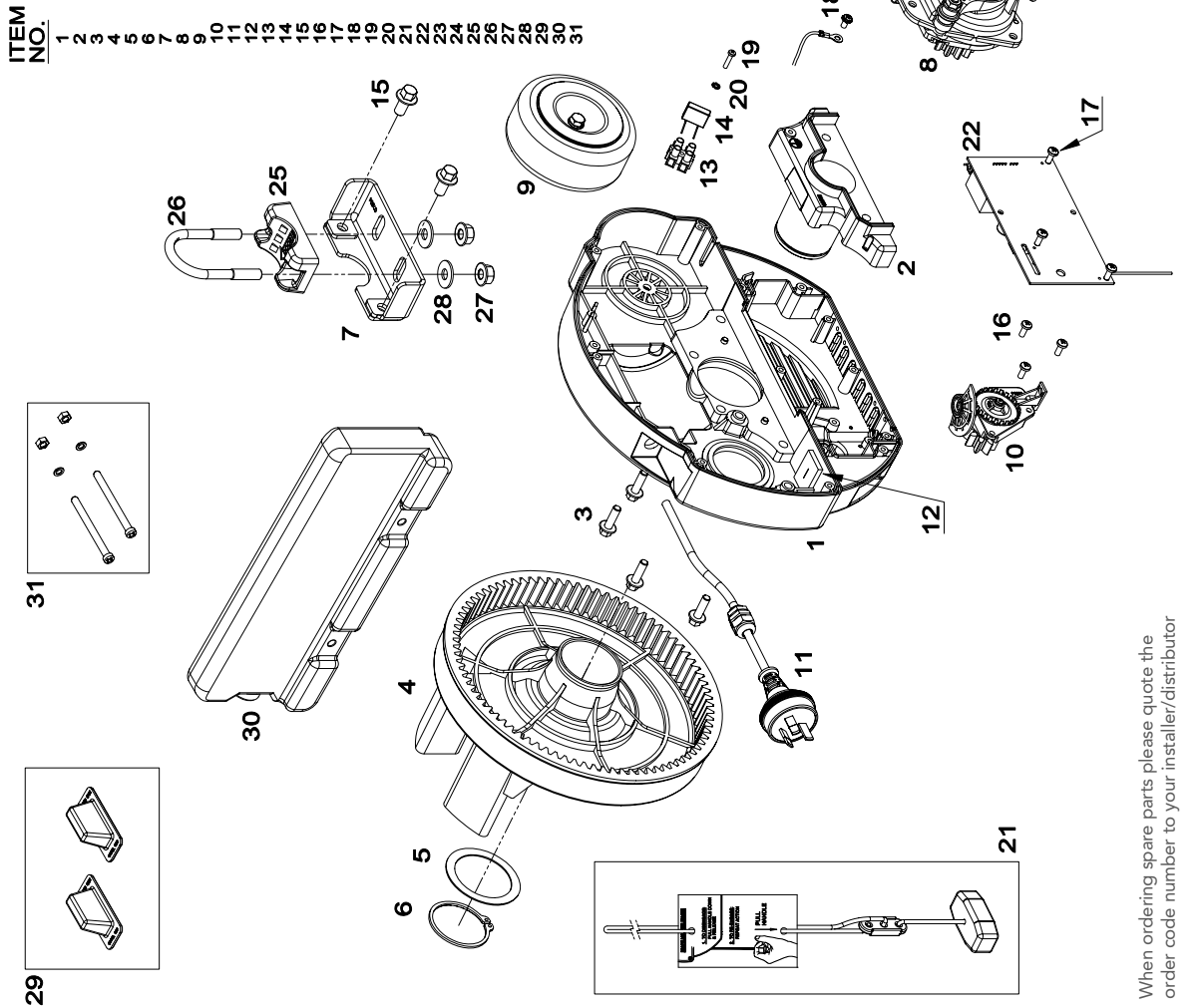
Date	Maintenance performed by	Signature	Amount	Invoice No.



# Parts List



ITEM NO.	DESCRIPTION	ORDER CODE
1	DRIVE CHASSIS SUB-ASSY	01775
2	INTERNAL GEAR AXLE	03015
3	HEX SERRATION HEAD SCREW M6x20	10171
4	INTERNAL GEAR	16020
5	CLAMP WASHER	11180
6	RETAINING RING STW 45	10650
7	MOUNTING BRACKET VR1	02504
8	CLUTCH GEARED MOTOR ASSY 12-01 WS	00374
9	TRANSFORMER TDB-72-01 KIT (72VA)	02035
10	RATCHET TIMING ASSY	01733
11	POWER CORD A.S. 1.5m 2P 1R	05664
12	FELT 21 X 29	05609
13	TERMINAL BLOCK 500I02DS 2 POS	05421
14	CAP POLYFILM 0.1UF K X2.275 VAC	07575
15	HEX SERRATION HEAD SCREW M6x16	10570
16	TAPTITE SCREW 'P' M4x10	10581
17	PAN HEAD SCREW W/WASHER M4x8	10320
18	TAPTITE SCREW 'P' BLACK ZNC M3x14	10552
19	INTERNAL TOOTH LOCK WASHER I.D 3	11150
20	STRING HANDLE ASSY	01762
21	CONTROL BOARD DCB04-1.02	00812
22	CHASSIS ENCLOSURE V3 ASM AY	02863
23	CONTROL COVER ASSY	03212
24	INDUSTRIAL SADDLE	03175
25	U-BOLT M8	10141
26	HEX SERRATION FLANGE NUT M8 (BLACK)	10146
27	FLAT WASHER 8.4x18x1.6	11021
28	COVER WITH D/S TAPE	71040
29	WEIGHT BAR	71190
30	WEIGHT BAR ACCESSORY	01782
31		



When ordering spare parts please quote the order code number to your installer/distributor





# Warranty and Exclusion of Liability

1. This Warranty is given by Automatic Technology (Australia) Pty Ltd (ABN 11 007 125 368) (ATA), 6-8 Fiveways Boulevard, Keysborough 3173, 1300 133 944, sales@ata-aust.com.au
  2. The Competition and Consumer Act 2010 (including the Australian Consumer Law) and other relevant statutes provide a set of statutory consumer guarantees and other legal rights that cannot be excluded, restricted or modified by contract. This Warranty is in addition to and does not affect any of your rights under the Australian Consumer Law and other relevant statutes.
  3. Our goods come with guarantees that cannot be excluded under the Australian Consumer Law. You are entitled to a replacement or refund for a major failure and for compensation of any other reasonably foreseeable loss or damage. You are also entitled to have the goods repaired or replaced if the goods fail to be of acceptable quality and the failure does not amount to a major failure.
  4. Subject to your non-excludable rights under the Australian Consumer Law, ATA expressly excludes any liability for consequential loss, incidental or indirect damages (including but not limited to damages for loss of business profits, business interruption and loss of business information) due to a defect of the GDO-8 Shed Master® (Product). In particular any loss or damage caused to other equipment or accessories used with the product or any loss resulting from a delay in repair is excluded to extent permitted by law.
  5. Subject to all of the matters set out below, ATA warrants in relation to the Product that:
    - (a) the Product's drive units will be free of any defects in material and workmanship for at least 24 months after the date of purchase (as evidenced by the sales docket receipt), or 5000 cycles, whichever ever occurs first; and
    - (b) the Product's other components and accessories will be free of any defects in material and workmanship for at least 12 months after the date of purchase (as evidenced by the sales docket receipt).
  6. No additional warranty will apply for Products repaired during the relevant warranty period.
  7. For all Products repaired outside the warranty period, a six (6) month warranty that the Product will be free of any defects in material and workmanship will apply from the date of dispatch of the Product to you. ATA may charge you for any repairs undertaken outside the warranty period, and will provide you with a quotation in relation to any such costs for your approval before proceeding with any repairs.
  8. This Warranty applies only where you:
    - (a) immediately notify ATA at the contact details provided in paragraph 1 above or notify the or the retailer that you purchased the Product from of the alleged defect;
    - (b) return the product to the retailer that you purchased the Product from; and
    - (c) present the relevant sales docket and this Warranty document to the retailer to confirm the date of purchase.
  9. Except for this Warranty, ATA gives no warranties of any kind whatsoever (whether express or implied), in relation to the product, and, subject to paragraph 1 above, all warranties of whatsoever kind relating to the product are hereby excluded.
  10. This Warranty excludes damage resulting from:
    - (a) normal wear and tear;
    - (b) accidental damage;
    - (c) incorrect installation of the Product;
    - (d) blown fuses, electrical surges, power surges or power spikes;
    - (e) theft, fire, flood, rain, water, lightning, storms or any other acts of God;
    - (f) any installation, configuration or use of the Product contrary to the instructions supplied with the Product;
    - (g) maximum continuous operating time exceeding 1 minute in 10;
    - (h) the operating force exceeding 15kg\* (150 Newton) when moving the door manually to the open or closed position;
    - (i) the door surface area exceeding 13.5m<sup>2</sup>;
    - (j) the door used with the Product not being in safe working order and condition;
    - (k) repairs which are not authorised by ATA;
    - (l) any failure to install or maintain the Product in accordance with the instructions supplied with the Product;
    - (m) any use which is not in accordance with the instructions provided with the Product;
    - (n) deliberate or negligent damage to the Product;
    - (o) any unauthorised modification to the Product;
    - (p) faulty or unsuitable wiring in the building in which the Product is installed;
    - (q) damage caused by insects;
    - (r) any cost or expense relating to the recall of the Product;
    - (s) installation of a residential garage door opener in a commercial or industrial premises or in a dwelling other than a single-family dwelling;
    - (t) radio or electrical interference; or
    - (u) acts or omissions of any person (including service providers approved by ATA) other than ATA.
  11. ATA's liability under this Warranty is limited, at ATA's absolute option, to replacing or repairing the product which ATA, in its unfettered opinion, considers to be defective either in material and/or workmanship or to credit the dealer with the price at which the product was purchased by the dealer.
  12. This Warranty does not extend to cover labour for installation of the Product following repairs, the cost of which must be borne by you.
  13. This Warranty is limited to Return-to-Base (RTB) repair and does not cover labour for on-site attendance, the cost of which must be borne by you.
  14. Except as specified in this Warranty, ATA will not charge you for any repairs or replacements conducted under the Warranty. However, ATA will charge you for any repairs which are not within the scope of this Warranty (or which are not required to be undertaken free of charge pursuant to the Australian Consumer Law).
  15. This Warranty is void if the Product is not returned to the manufacturer in original or suitably secure packaging.
  16. This Warranty is only applicable for repairs to the product carried out within Australia.
  17. This Warranty does not cover consumable items including, without limitation, globes, batteries and fuses.
  18. This Warranty is not transferable.
  19. Where the Product is retailed by any person other than ATA, except for the warranty set out above, such person has no authority from ATA to give any warranty or guarantee on ATA's behalf in addition to the warranty set out above.
  20. Any provision of this Warranty that is prohibited or unenforceable in any jurisdiction is ineffective as to that jurisdiction to the extent of the prohibition or unenforceability. That does not invalidate the remaining provisions of this Warranty nor affect the validity or enforceability of that provision in any other jurisdiction.
  21. Products presented for repair may be replaced by refurbished goods of the same type rather than being repaired. Refurbished parts may be used to repair the Product.
- NOTES:
1. One (1) cycle = one (1) open and one (1) close action of the door.
  2. This Warranty is to be read in conjunction with the owner's copy of the installation instruction manual.
  3. \* The door that the Product is used with should be balanced in such a way that the user is able to open or close the door manually using a force not greater than 150 Newton (15 kg), other than to initially cause the door to start moving, which may require force in excess of that specified in this paragraph.





© December 2011 Automatic Technology (Australia) Pty Ltd. All rights reserved. TrioCode™ and Shed Master® are trademarks of Automatic Technology (Australia) Pty Ltd. No part of this document may be reproduced without prior permission. In an ongoing commitment to product quality we reserve the right to change specification without notice. E&OE.

automatic  
TECHNOLOGY

smart | simple | secure

an  alesco company

**Automatic Technology Pty Ltd**

ABN 11 007 125 368

6-8 Fiveways Boulevard  
Keysborough, Victoria 3173

P 1300 133 944

E [sales@ata-aust.com.au](mailto:sales@ata-aust.com.au)

[www.ata-aust.com.au](http://www.ata-aust.com.au)