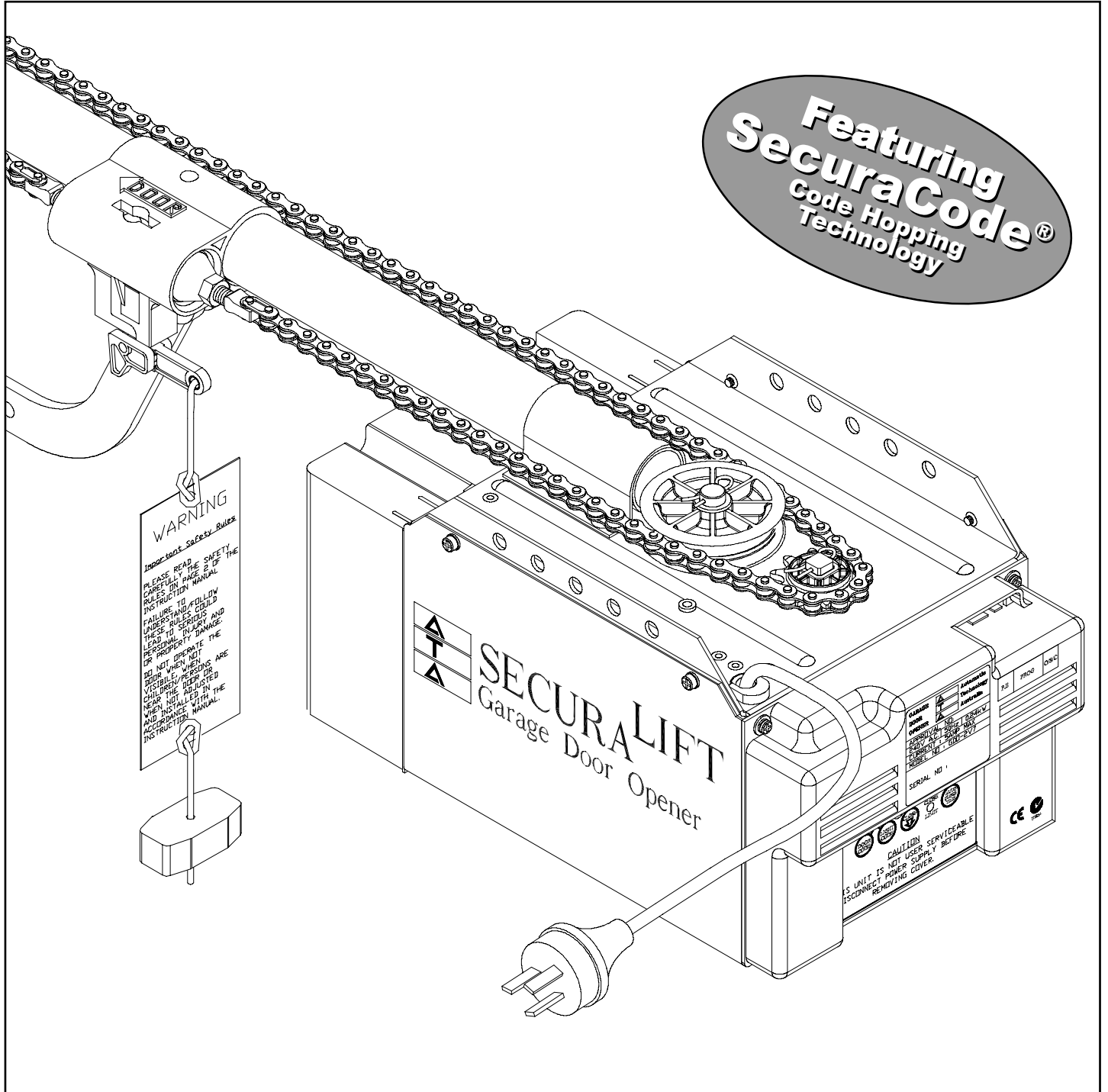


AUTOMATIC TECHNOLOGY AUSTRALIA PTY LTD

GDO-2 SecuraLift® GARAGE DOOR OPENER























OWNERS COPY

Installation Instructions

Warning: It is vital for the safety of persons to follow all instructions. Failure to comply with the installation instructions and the safety warnings may result in serious personal injury and/or property and remote control opener damage. Please save these instructions for future reference.

IMPORTANT SAFETY INSTRUCTIONS

Warning - It is vital for the safety of persons to follow all instructions. Failure to comply with the following Safety Rules may result in serious personal injury and/or property damage.

-  For **ADDITIONAL SAFETY** protection we **STRONGLY** recommend the fitting of a Photo Electric Beam. In most countries Photo Electric Beams are mandatory on all garage doors fitted with automatic openers. For a small additional outlay ATA recommends that Photo Electric Beams be installed with the automatic opener ensuring additional safety and peace of mind.
-  **DO NOT** operate the garage door opener unless the garage door is in full view and free from objects such as cars and children/persons. **SERIOUS PERSONAL INJURY** and/or property damage can result from failure to follow this warning.
-  **DO NOT** operate the garage door opener when children/persons are near the door. Children must be supervised near the garage door at all times when the door opener is in use. **SERIOUS PERSONAL INJURY** and/or property damage can result from failure to follow this warning.
-  **DO NOT** allow children to operate the garage door opener. **SERIOUS PERSONAL INJURY** and/or property damage can result from failure to follow this warning.
-  Regularly check to make sure that the **SAFETY OBSTRUCTION FORCE** is working correctly, and is **TESTED** (by placing a 40mm high object on the floor) and set as per the installation instruction manual. Failure to follow the manual may result in **SERIOUS PERSONAL INJURY** and/or property damage. This test must be repeated at regular intervals and the necessary adjustments made as required.
-  **DO NOT** disengage the door opener to manual operation with children/persons or any other objects including motor vehicles within the doorway.
-  Install the wall switch or wall mounted transmitter in a **LOCATION/POSITION** where it is out of reach of children and the garage door is visible.
-  The door opener is not intended for use by young children or infirm persons without adequate supervision. Young children should be supervised to ensure that they do not play with the equipment.
-  Keep hands and loose clothing **CLEAR** of the garage door and opener at all times.
-  The unit should be installed so that it is protected from the elements. It should not be exposed to water or rain. It is not to be immersed in water or sprayed directly by a hose or other water carrying device.
-  The garage door must be **WELL BALANCED**. Sticking or binding doors must be repaired by a qualified garage door installer prior to installation of the opener .
-  Frequently examine the installation, in particular cables, springs and mountings. **DO NOT** attempt to repair the door yourself as hardware is under extreme tension and can cause **SERIOUS PERSONAL INJURY** and/or property damage.
-  **REMOVE OR DISABLE** all garage doors locks and mechanisms prior to installation of the opener.
-  Connect the garage door opener to a properly **EARTHED** general purpose 240V mains power outlet installed by a qualified electrical contractor.
-  **DISCONNECT THE POWER CORD** from mains power before making any repairs or removing covers. Only **EXPERIENCED** service personnel should remove covers from the garage door opener.
-  When using auto close mode, a **PHOTO ELECTRIC BEAM** must be fitted correctly and tested for operation at regular intervals. **EXTREME CAUTION** is recommended when using auto close mode. **ALL SAFETY RULES** must be followed.
-  In order for the garage door opener to **SENSE** an object obstructing the door way, some **FORCE** must be exerted on the object. As a result the object, door and/or person may suffer **DAMAGE or INJURY**.
-  If the power supply cord is damaged, it **MUST** be replaced by an ATA service agent or suitably qualified person.
-  Make sure that the door is fully open before driving in or out of the garage.
-  Make sure the door is fully closed before leaving the driveway.

Automatic Technology Australia Pty Ltd to the extent that such may be lawfully excluded hereby expressly disclaims all conditions or warranties, statutory or otherwise which may be implied by laws as conditions or warranties of purchase of an Automatic Technology Australia Pty Ltd Garage Door Opener. Automatic Technology Australia Pty Ltd hereby further expressly excludes all or any liability for any injury, damage, cost, expense or claim whatsoever suffered by any person as a result whether directly or indirectly from failure to install the Automatic Technology Australia Garage Door Opener in accordance with these installation instructions.

PRODUCT FEATURES

Your SecuraLift® Automatic Garage Door Opener has many features which you will appreciate. The components and materials used in this Automatic Opener are of the latest technology and highest quality. Listed below are some of the many features.

OPERATION

To open or close the door simply press the hand held transmitter, the wall mounted transmitter, or optional wall switch for two seconds. During an open cycle the door can be stopped by pressing the button while the door is in motion. If it is interrupted during a close cycle the door will pause briefly then return to the fully open position. The next actuation will move the door in the opposite direction.

HOPPING CODE

Every time a transmission is made from the remote transmitter a new security code is generated at random. The number of possible code combinations is over 4.29 billion. This greatly enhances the security of the system making code “grabbing” a thing of the past.

ISS (INTELLIGENT SAFETY OBSTRUCTION SYSTEM)

The door will automatically reverse should it encounter an obstacle or be restricted in some manner while performing a close cycle. The amount of force the door should sense before reversing is automatically adjusted by the door's control system during the initial installation of the automatic door opener. The door will also stop if restricted whilst opening. The Safety Obstruction Force should be checked at least once a month.

SECURITY CODE STORE

The SecuraLift® Garage Door Opener uses state of the art technology in storing your selected transmitter security code. Up to 27 different transmitters can be stored in the openers memory.

To store any code simply press and hold the Door Code button on the opener and press the transmitter button twice. Each or all codes can be deleted and changed at any time. The codes can also be stored via the transmitter from a remote location.

OVER LOAD INDICATOR

When the maximum opening and closing capacity of the opener is exceeded an audible beeper will sound to indicate that an overload has occurred.

SERVICE INDICATOR

The courtesy light flashes ten times when the opener has been overloaded and indicates that the opener and/or garage door requires service.

AUTO COURTESY LIGHT

The courtesy light on the opener comes on automatically whenever the door is activated. The light can also be switched on and off without operating the door. This is done by pressing the button on any hand held or wall mounted transmitter which has been stored with the light code. The light will stay on for approximately three minutes then switch off. This time is also adjustable.

CAS (COLOUR ASSISTED SETTINGS)

To make the installation of the opener more user friendly Automatic Technology Australia has developed the CAS (Colour Assisted Settings) system. This unique colour coded system (red for close, green for open) allows for all the adjustments and settings to be easier and simpler for the installer to complete the installation

OPEN AND CLOSE DRIVE BUTTONS

Developed by ATA to aid the installation of the opener is the Open and Close drive buttons. These buttons are used to help set the open and close limit positions. A quicker setting time and a more precise limit position can be achieved by using this system.

INITIALISATION

The Reset button on the opener is used to initialise or re-initialise the obstruction force settings and door travel counters. See installation manual for instructions.

AUTO CLOSE MODE

The opener can be programmed to automatically close after an open cycle. The auto close time is adjustable. It is compulsory to install a Photo Electric Beam if this mode is selected, otherwise the door may cause personal injury or damage to property.

SAFETY AUTO RUN TIME

If the opener does not complete its cycle within thirty seconds it will automatically stop if opening, or reverse to the fully open position if closing.

PHOTO ELECTRIC BEAM (OPTIONAL)

The opener has an input for a photo electric beam to be connected for extra safety protection and use of the auto close mode.

MANUAL OPERATION

The opener is equipped with a unique manual disengaging device. If the power to the opener is disrupted for any reason the door can be put into manual mode by pulling the string handle towards the door. This will allow you to manually open or close the door. When power is restored, simply pull the handle away from the door to put the opener back into automatic mode.

OPERATING CONTROLS

1. LIGHT CODE button (White) is used for storing or erasing the transmitter button (code) you wish to use to turn the opener's courtesy light on and off.

2. DOOR CODE button (Blue) is used for storing or erasing the transmitter button (code) you wish to use to command the door to open, stop or close.

3. CLOSE DRIVE button (Red) is used during installation to help set the close limit stop position. Pressing this button will move the door in the close direction. Movement stops when the button is released.

NOTE: The close safety obstruction detection is disabled when the Close Drive button is used to move the door.

4. CLOSE LIMIT LED (Red) the LED is very helpful during installation, it illuminates and flashes while the door is closing and remains steady on when the close limit is reached.

5. AUTO CLOSE TIME button (White) is used to adjust the auto close time. While holding Auto Close and pressing the Open button the time delay is increased (each press will increase the time by 5 seconds). Pressing the Close button will decrease the time delay.

6. RESET button is used to initialise and set the door/opener operating parameters, including cycle times and obstruction force settings.

7. O/S/C button (Yellow) is used during installation to test the Open, Stop and Close cycles for the Opener. The opener has to be initialised by the Reset button before the O/S/C button becomes operable.

8. OPEN Drive button (Green) is used during installation to help set the open limit stop position. Pressing this button will move the door in the open direction. Movement stops when the button is released.

NOTE: The open safety obstruction detection is disabled when the Open Drive button is used to move the door.

9. OPEN LIMIT LED (Green) the LED is very helpful during installation, it illuminates and flashes while the door is opening and remains steady on when the open limit is reached.

10. FORCE MARGIN SET button (White) is used to change the force pressure when the door encounters an obstruction. Pressing the Force Margin Set button and Open or Close button will increase or decrease the force. Normally the force pressure is set automatically. Force Margin Set is only used if other environmental factors (wind, etc.) affect the operation of the door/opener.

11. CLOSE LIMIT ADJUST SCREW (Red) is used to adjust the close limit stop position.

12. OPEN LIMIT ADJUST SCREW (Green) is used to adjust the open limit stop position.

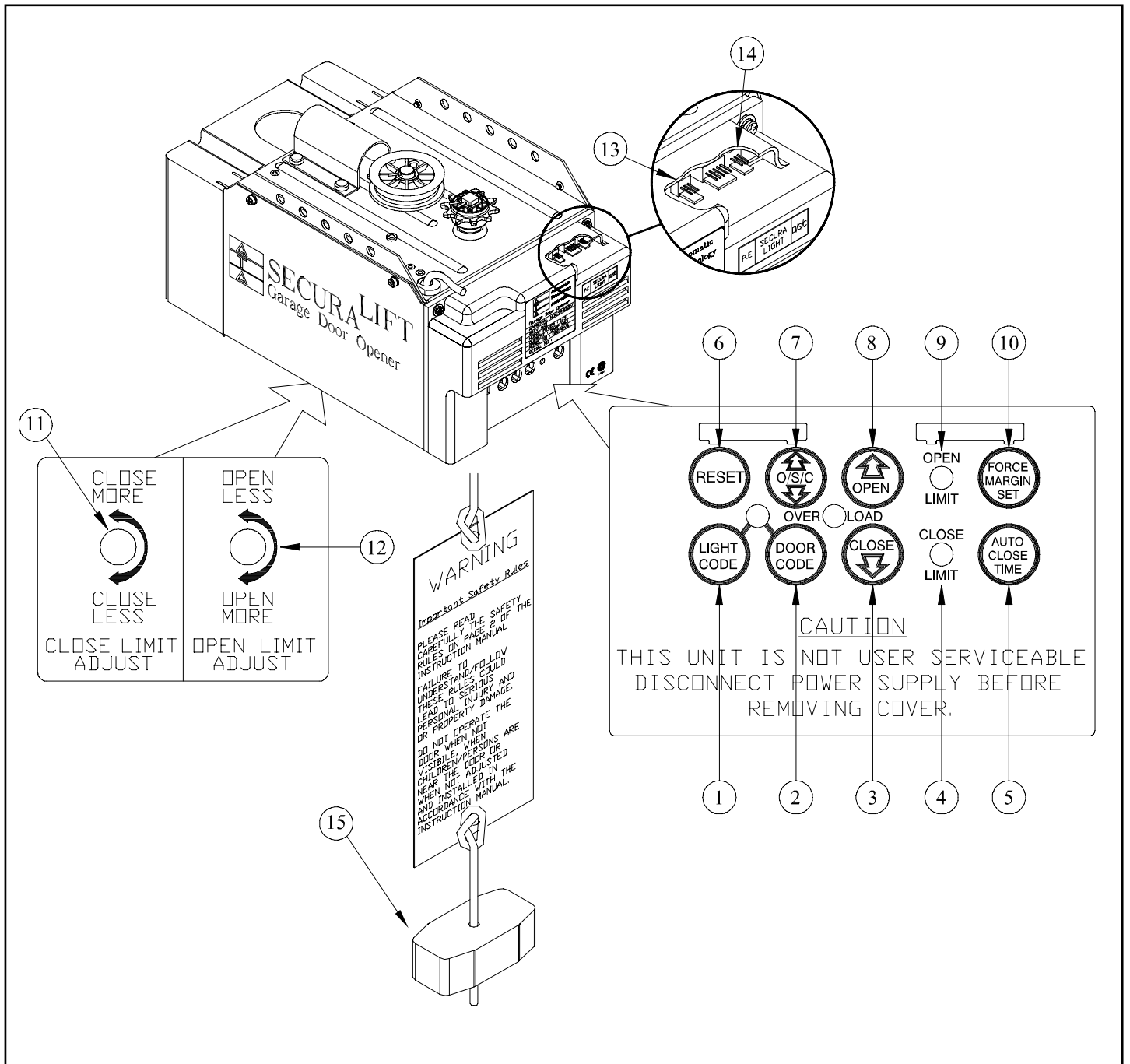
13. P.E. INPUT is for connection of Photo Electric Beams (optional extra) for extra safety obstruction protection, or compulsory when used with Auto Close mode.

NOTE: P.E. SHUNT must not be removed otherwise the opener will not function correctly. Remove only when a P.E. Beam is to be connected.

14. O/S/C INPUT is for connecting the wired Wall Switch (optional extra).

15. ENGAGE/DISENGAGEMENT HANDLE when pulled down toward the door will select manual mode on the opener. Pulling the handle away from the door will switch the opener back to automatic mode.

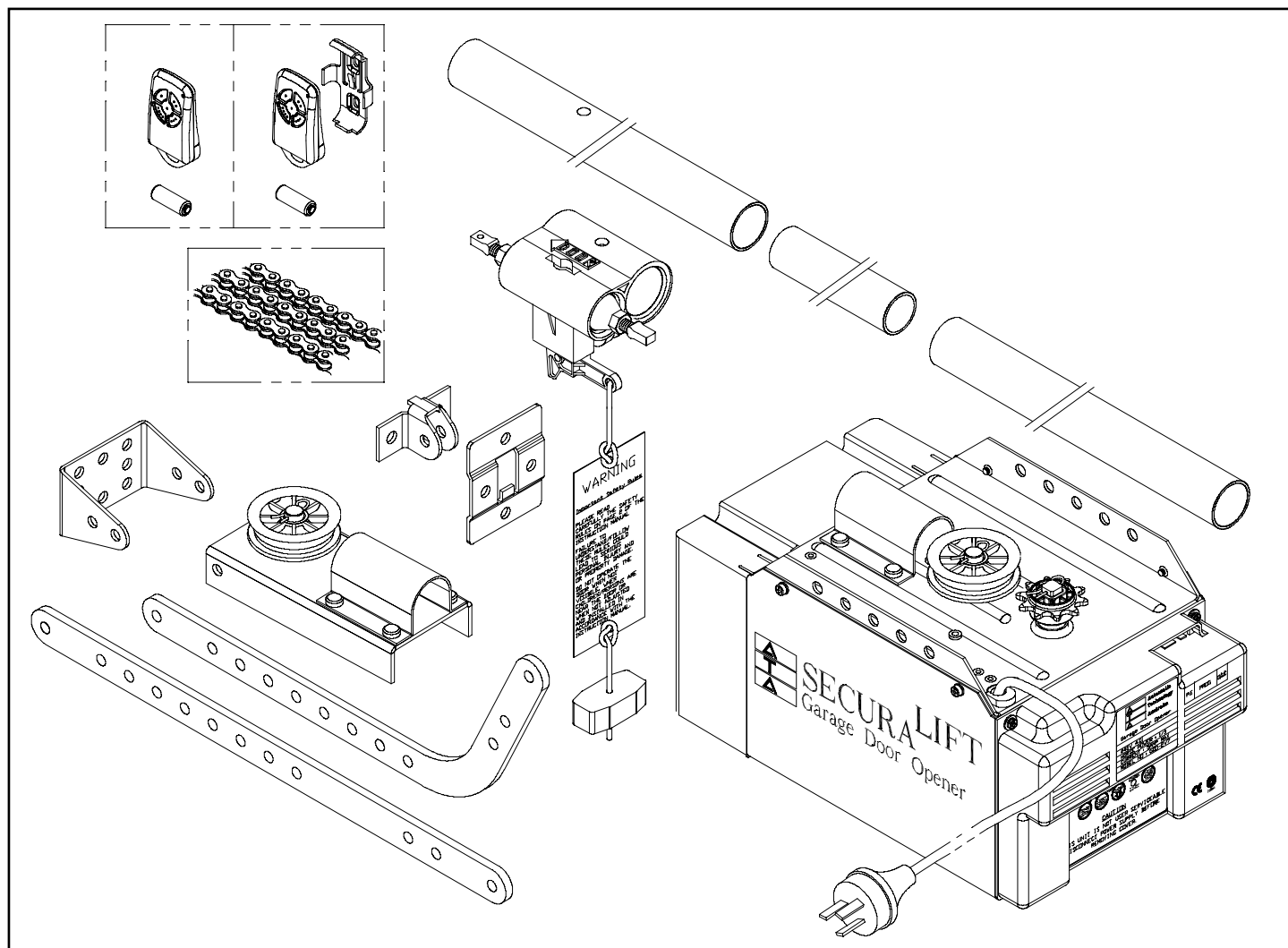
OPERATING CONTROLS



- | | |
|------------------------------|-------------------------------------|
| 1) LIGHT CODE BUTTON (WHITE) | 9) OPEN LIMIT LED(GREEN) |
| 2) DOOR CODE BUTTON (BLUE) | 10) FORCE MARGIN SET BUTTON |
| 3) CLOSE DRIVE BUTTON (RED) | 11) CLOSE LIMIT ADJUST SCREW (RED) |
| 4) CLOSE LIMIT LED (RED) | 12) OPEN LIMIT ADJUST SCREW (GREEN) |
| 5) AUTO CLOSE BUTTON (WHITE) | 13) P.E. SHUNT |
| 6) SET BUTTON (YELLOW) | 14) O/S/C INPUT |
| 7) O/S/C BUTTON (YELLOW) | 15) ENGAGE/DISENGAGEMENT HANDLE |
| 8) OPEN DRIVE BUTTON (GREEN) | |

PACKAGE CONTENTS

ITEM	QUANTITY
GDO-2 SECURALIFT® DRIVE UNIT	1
SECURACODE® KEY RING TRANSMITTER - PTX-4	2
WALL MOUNT BRACKET FOR PTX-4	1
BATTERY A23 12V ALKALINE	2
TUBES	5
TUBE INSERTS	4
PIPE SUPPORT ASSEMBLY	1
CHAIN	1
SHUTTLE/TROLLEY ASSEMBLY	1
DOOR ATTACHMENT ARMS	2
ACCESSORY PACK	1
INSTALLATION MANUAL	1



TUBE/PIPE ASSEMBLY

IMPORTANT SAFETY INSTRUCTIONS FOR INSTALLATION

Warning: Incorrect installation can lead to severe injury. Follow ALL installation instructions.

CHECK OPERATION OF DOOR

BEFORE BEGINNING THE INSTALLATION OF THE SECURALIFT® AUTOMATIC OPENER CHECK THE OPERATION OF THE DOOR.

The door must be well balanced and be in a reasonable operating condition. You should be able to lift the door smoothly and with little resistance. It should stay open around 900mm to 1200mm above the floor. The door should not stick or bind in the guide tracks. The ideal operational effort in raising or lowering the door should not exceed a force of 10kg (22 lbs.). Make sure that all door locks are either removed or disabled and remove unnecessary accessories.

STEP 1

Slide shuttle assembly onto index tube (one piece only) and insert screwdriver or clevis pin to hold it in place and slide into support tube assembly. (Fig. 1 & 2). The arrow on shuttle must point towards the garage Door. To assemble the rest of the tubes, always slide short insert tube half way into the long tube, then slide other tube into remaining insert tubes. Continue this process with remaining tube until desired length is reached. Insert pipe into pipe support assembly and drive unit and leave the drive unit in the packaging for protection.

STEP 2

The opener is supplied with a 10 tooth Drive Sprocket on the drive unit. If the opener is to be fitted to a one piece door without track, exchange the 10 tooth sprocket with a 7 tooth drive sprocket available as an option from ATA.

IMPORTANT: If using track type door (often referred to as panel lift or track tilt door) only use a 10 tooth drive sprocket. If using a one piece door without track use a 7 tooth sprocket.

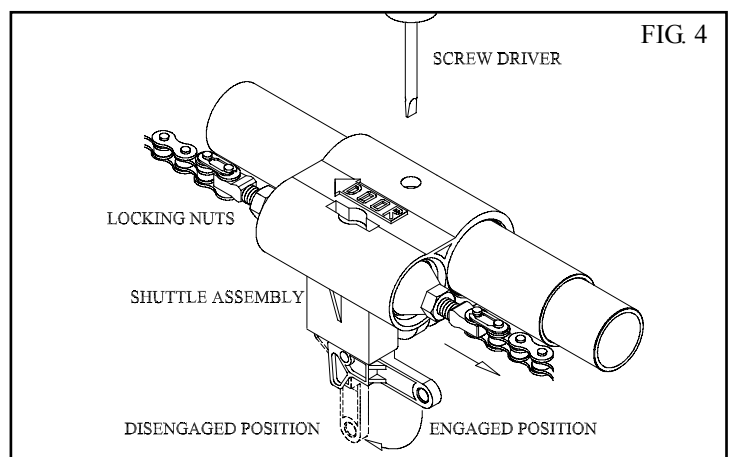
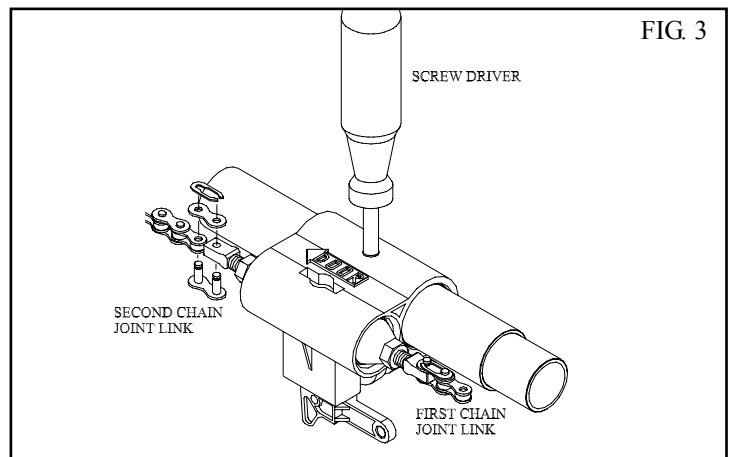
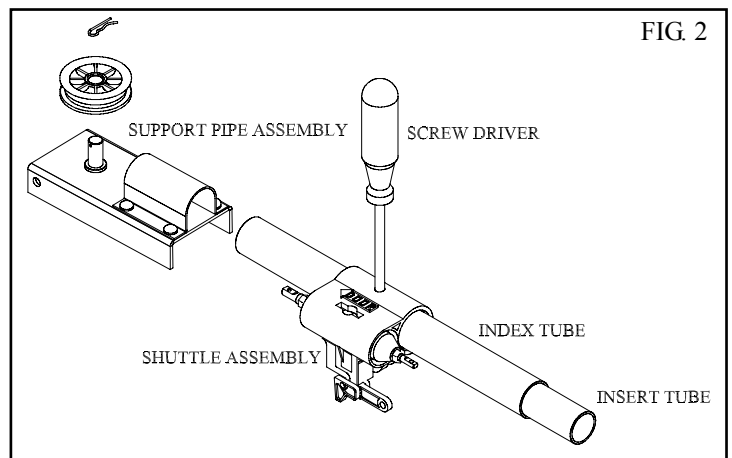
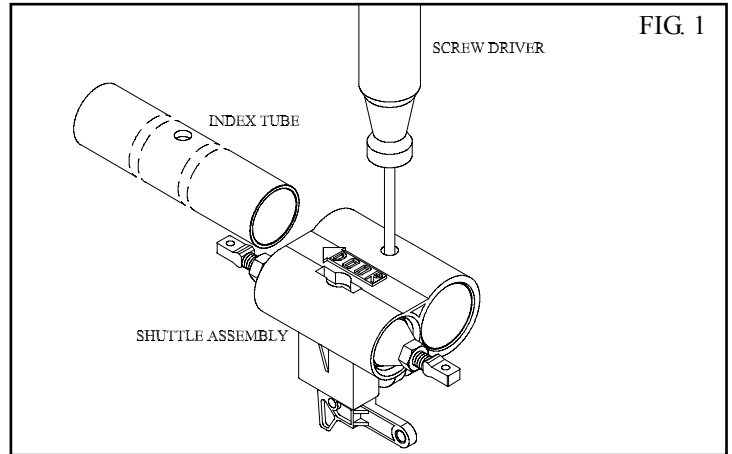
STEP 3

Attach one end of chain to chain index screw, nearer to drive unit, using one joint link. (Fig. 3). Proceed to wrap chain around drive unit sprocket/idler wheel then follow along the pipe to the idler wheel on the support pipe assembly. Finally, attach to the other end of the chain index screw.

NOTE: Make certain that the teeth of the drive unit sprocket are engaged in the chain and that the chain is not twisted. Make sure that the chain is engaged in the plastic chain idle wheel on the support pipe assembly.

STEP 4

Remove locating screwdriver from trolley. Disengage trolley from chain index by swinging lever downward (Fig. 4), then slide trolley away from chain index along pipe track. Loosen locking nuts on chain index screws. To tighten chain, turn chain index in anti-clockwise direction, looking from support pipe assembly to drive unit. Do not over-tighten chain as it has to sag 6-12mm. Check before locking screw with lock nuts that chain is not twisted. When the tension is finalised, tighten lock nuts at both ends of chain index.



DETERMINE THE DOOR TYPE

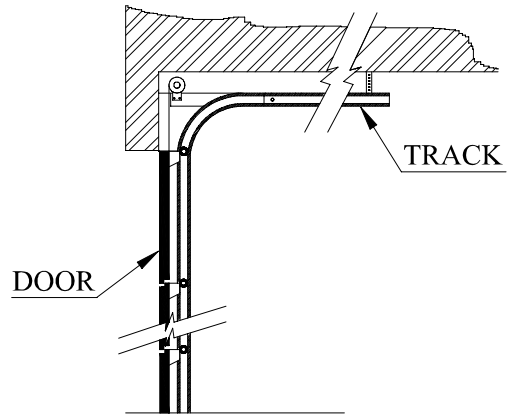
Determine which type of garage door you have as illustrated below. (Fig. 5 - 7).

- For a sectional (panel) door on tracks (Fig. 5) proceed with the installation from Step 5.
- For a one piece door on tracks (Fig. 6) proceed with the installation from Step 5.
- For a one piece door without tracks (on springs) (Fig. 7) proceed with the installation from Step 9.

Remember - a one piece door without tracks requires a 7 tooth drive sprocket.

FIG. 5

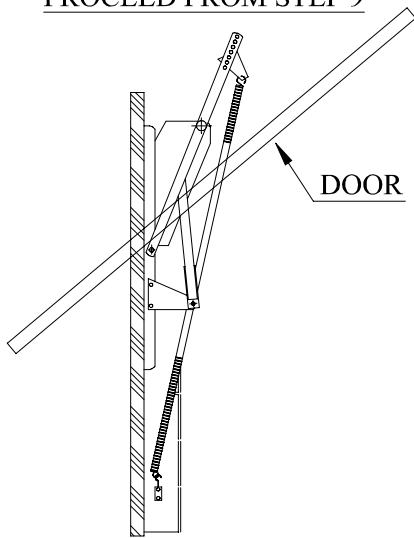
PROCEED FROM STEP 5



SECTIONAL DOOR WITH TRACK

FIG. 6

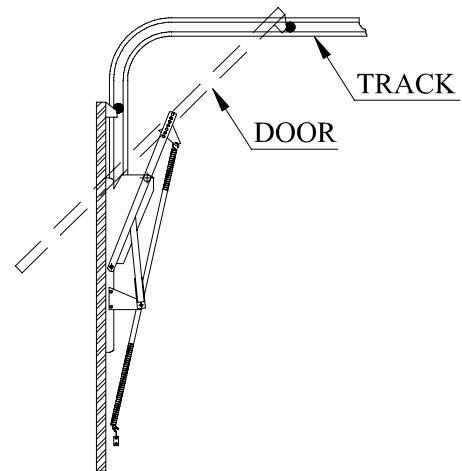
PROCEED FROM STEP 9



ONE PIECE DOOR WITHOUT TRACK

FIG. 7

PROCEED FROM STEP 5



ONE PIECE DOOR WITH TRACK

MOUNTING OPENER FOR TRACK TYPE DOOR

STEP 5

Open the door and find the highest point of travel of the top door panel. Using a level, transfer this height to the wall above the door (Fig. 8) and mark a line 60mm above it.

Determine the centre point on the wall above and on top of the door. Then draw two (2) lines 21.5mm on each side of the centre point. (Fig. 9).

STEP 6

The wall bracket should be mounted 60mm above highest point of the doors travel, 21.5mm from the centre point. (Fig. 9).

If the wall bracket is mounted onto concrete or brick wall, use 8mm or 5/6 loxins or dynabolts. If mounting onto wooden lintel or beam, use wood screw #20 or equivalent minimum 50mm long.

WARNING: MAKE SURE CONCRETE, BRICK WALL OR TIMBER LINTELS ARE SOLID AND SOUND SO AS TO FORM A SECURE MOUNTING PLATFORM.

STEP 7

When the wall bracket is firmly secured in its proper position, attach the support pipe assembly to wall bracket with 90mm long clevis pin and secure with supplied snap pin, (Fig. 10) leaving drive unit in its packing box for protection during installation.

STEP 8

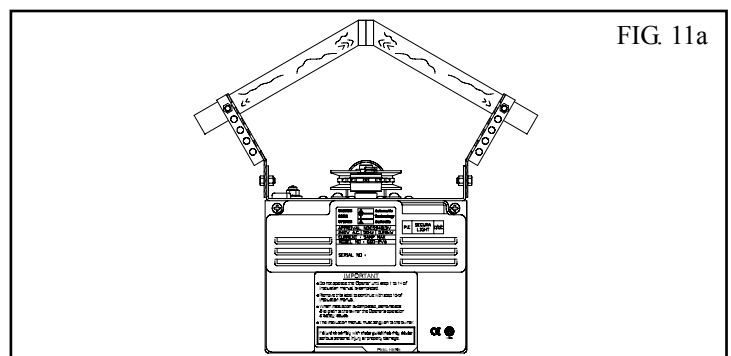
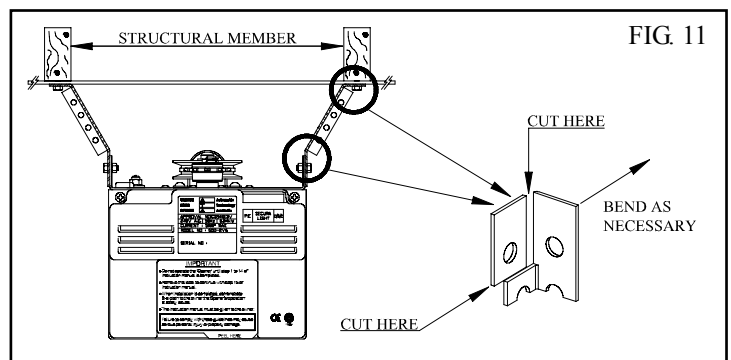
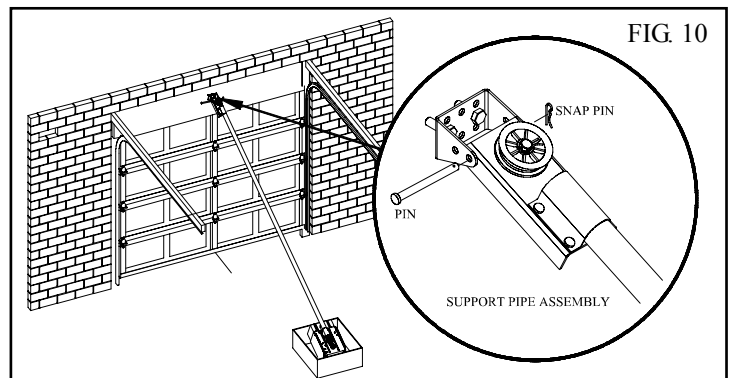
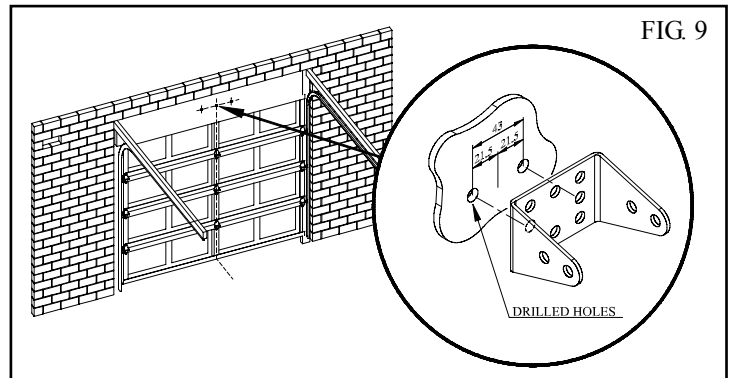
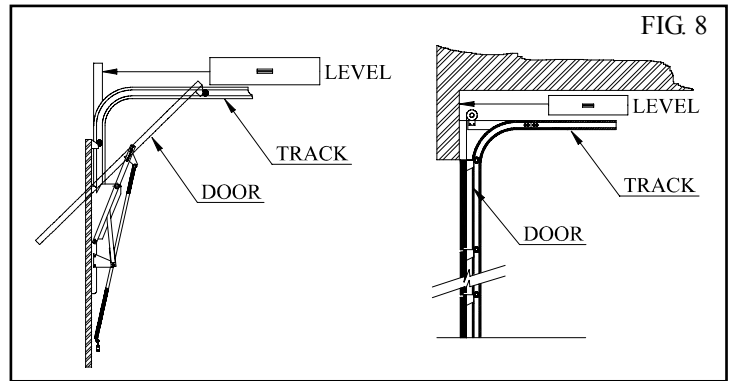
Raise the drive unit from the packing box and support it in a horizontal position with a step ladder, then open the garage door. Rest the opener on the open door and use a scrap piece of wood to bring it to horizontal level. Line up the track perpendicular to the wall.

Secure to the ceiling above drive unit mounting holes, with perforated angle (not supplied). A representative mounting is shown. (Fig. 11 & 11a)

Connect angle and drive unit with two flat perforated strips of angle (not supplied) with M8 x 20mm screws, nuts and washer. Strips should not extend more than 18mm below centre of drive unit mounting holes. (Fig. 11 & 11a).

WARNING: THE OPENER MUST BE SECURELY FASTENED TO A STRUCTURAL SUPPORT OF THE GARAGE. FAILURE TO FASTEN THE OPERATOR CORRECTLY MAY LEAD TO OPENER FAILURE CAUSING SERIOUS PERSONAL INJURY AND/OR PROPERTY DAMAGE.

GO TO STEP 13



MOUNTING OPENER FOR SPRING LOADED DOOR

STEP 9

Determine the centre of the door and mark this location on the wall above and on top of the door. Then draw two (2) lines 21.5mm on each side of the centre point. (Fig. 12).

WARNING: MAKE SURE CONCRETE, BRICK WALL OR TIMBER LINTELS ARE SOLID AND SOUND SO AS TO FORM A SECURE MOUNTING PLATFORM.

STEP 10

Raise the door to open position. Rest the opener on the top edge of the door with end of the pipe/tube against the wall and drive unit supported level with the lowest point of the open door. (Fig. 13).

Note: Do not slide opener tube/pipe on face of the door when it is open as it may damage the door surface.

Secure the drive unit to the ceiling with perforated angle (not supplied). A representative mounting is shown. (Fig. 11 & 11a).

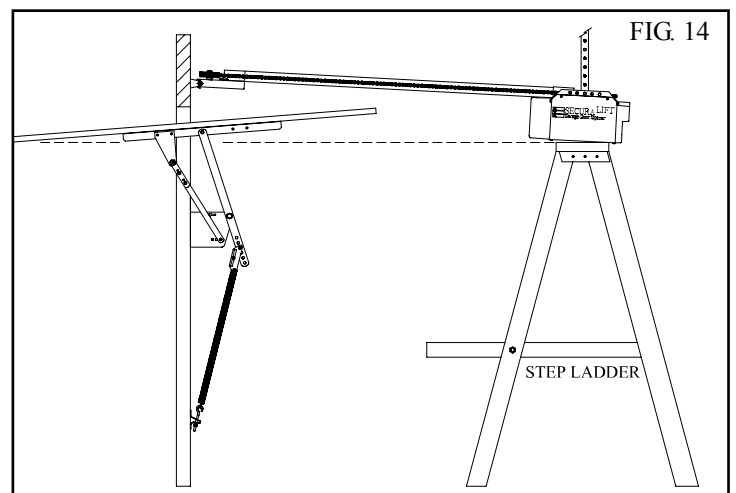
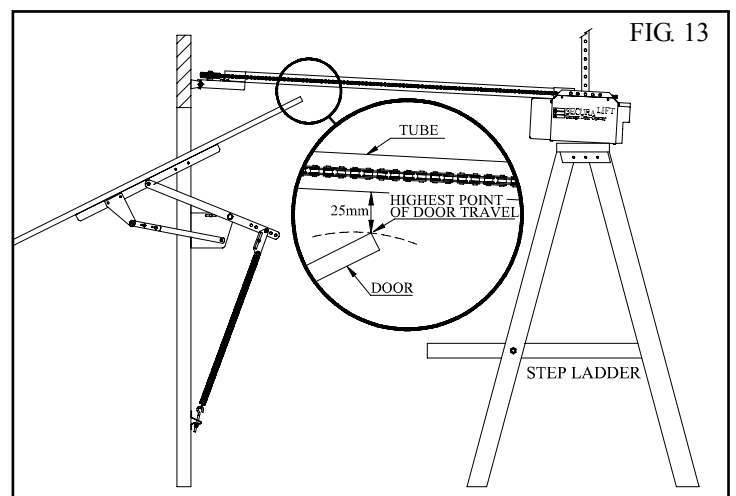
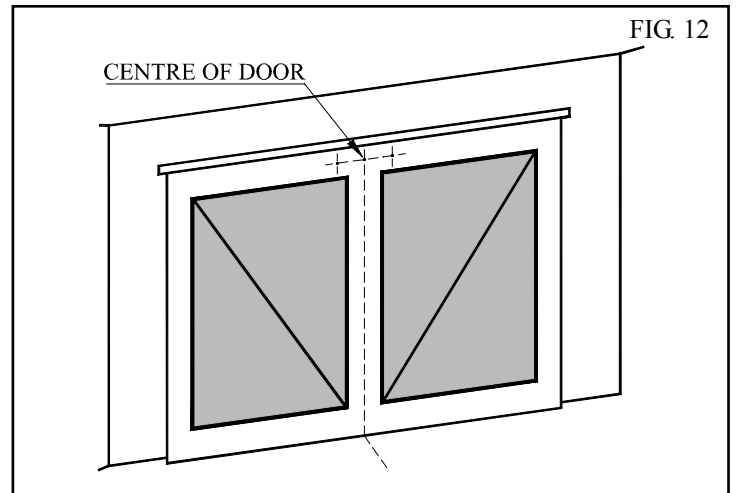
Connect angle and drive unit with two flat perforated strips of angle (not supplied) with M8 x 20mm screws, nuts and washers. The strips should not extend more than 18mm below centre of drive unit mounting holes. (Fig. 11 & 11a). Do not lock screws at this stage.

STEP 11

Close the door slowly. The opener pipe/tube will be elevated by the top edge of the door as it moves. Stop the door when it is at its highest point of travel. (Fig. 14).

Allow 25mm additional height for clearance between the door and the track. Support pipe/tube in this position and then close the door. (Fig. 14) This will be the height to mount the wall bracket. The top of the door must not touch the tube.

WARNING: THE OPENER MUST BE SECURELY FASTENED TO A STRUCTURAL SUPPORT OF THE GARAGE. FAILURE TO FASTEN THE OPERATOR CORRECTLY WILL LEAD TO POSSIBLE OPENER FAILURE CAUSING SERIOUS PERSONAL INJURY AND/OR PROPERTY DAMAGE.

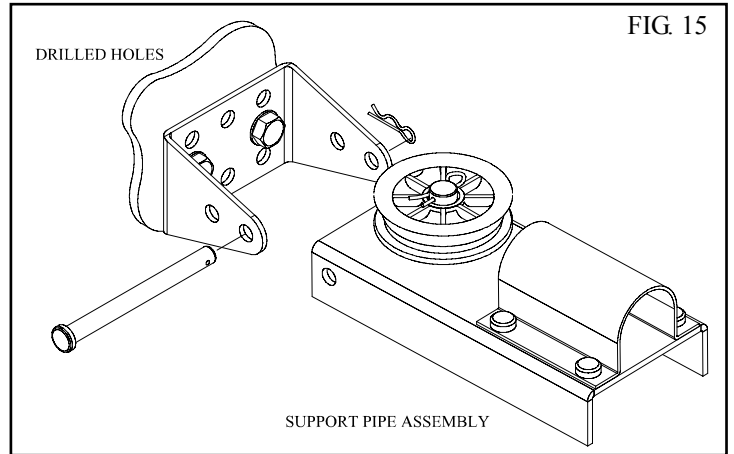


MOUNTING DOOR BRACKET AND ARMS

STEP 12

With the centre point of the door located, mark a line through the centre of the wall bracket onto the header wall (above the door). Using the bracket as a template mark a minimum of two holes and drill with appropriate size bit. If necessary the wall bracket can be anchored using more than two holes for a more secure fitting.

If the wall bracket is mounted onto concrete or brick wall, use M8 or 5/6 loxins or dynabolts. If mounted onto wooden lintel or beam, use wood screws #20 or equivalent, minimum 50mm long. Attach the wall bracket to the support pipe assembly with 90mm long clevis pin (**Fig. 15**) and secure by snap pin.



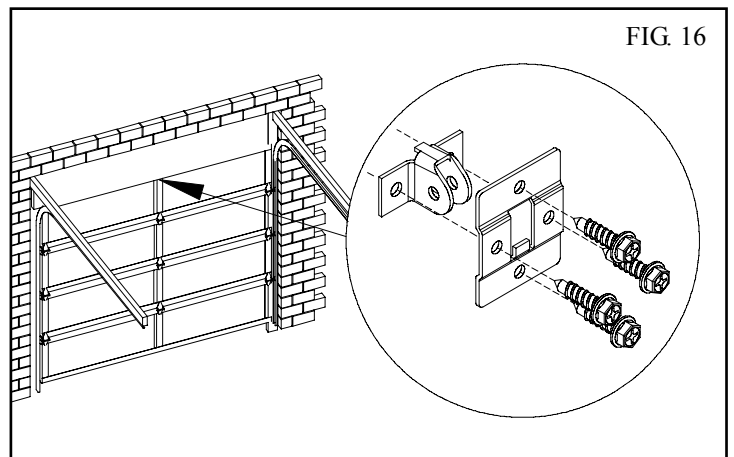
MOUNTING DOOR BRACKET AND ARMS

STEP 13

The door bracket comes in two parts. The bottom plate with two mounting holes is used on its own for any one piece doors. The top plate is placed over the bottom plate and uses 4 mounting holes for extra strength. This is used on sectional doors. (See **Fig. 16**).

Mount the door bracket to the centre line of the door (**Fig. 16**), using M6 or equivalent screws (not supplied) Alternatively it can be welded on steel doors.

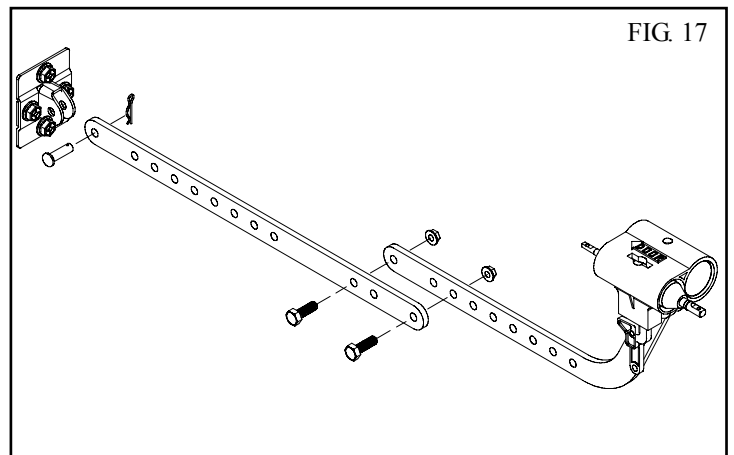
Note: As various types of doors exist, if in doubt about the strength of the door, reinforcement may need to be added to the frame of the door panel where necessary. Damage to the door panel may occur if the bracket is installed incorrectly on a panel with insufficient strength. The door opener warranty does not cover damage caused by the opener to the door and/or door panel.



STEP 14

Assemble bent and straight arm with screws, plain and spring washer and nuts supplied in accessory pack. (**Fig. 17**) Then connect assembled arm to the door bracket and the trolley by clevis pin and snap pin. Trolley must be in disengage position. Always use both the bent and straight arm.

If installing on a door with bad wave action, lengthening the arm even further will assist the door operation by reducing the wave action.



SETTING LIMITS

STEP 15 SETTING TRAVEL LIMIT POSITIONS

IMPORTANT NOTE: The O/S/C button will not function until the open and close limit positions are set.

15.1 SETTING LIMIT POSITIONS

1. Plug the drive unit power cord into mains power point and switch power on.
2. Check that the door is in the closed position. If not move it by hand. Pull the manual release cord away from the door to engage the shuttle.
3. Engage the shuttle into chain index. If necessary use the Red Close button or Green Open button to inch the index to engage the shuttle.

NOTE: The door and shuttle must be engaged into the chain index for the door to move.

WARNING: The safety obstruction detection system is inoperable while limits the open and close drive buttons are being used and travel limits are not set.

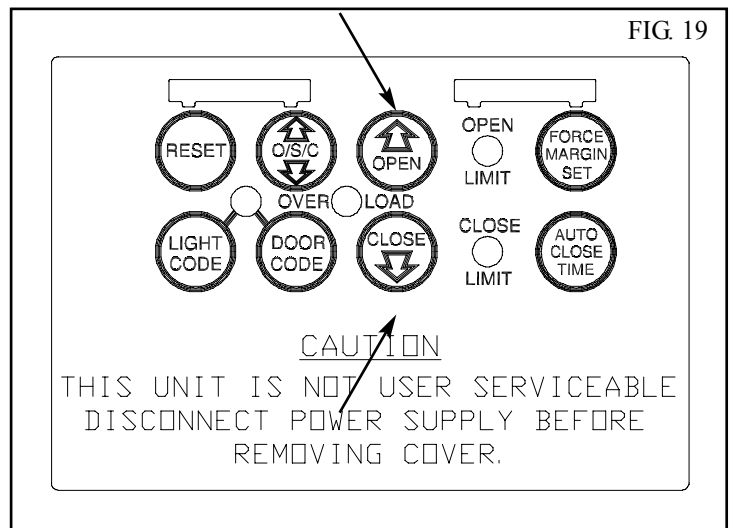
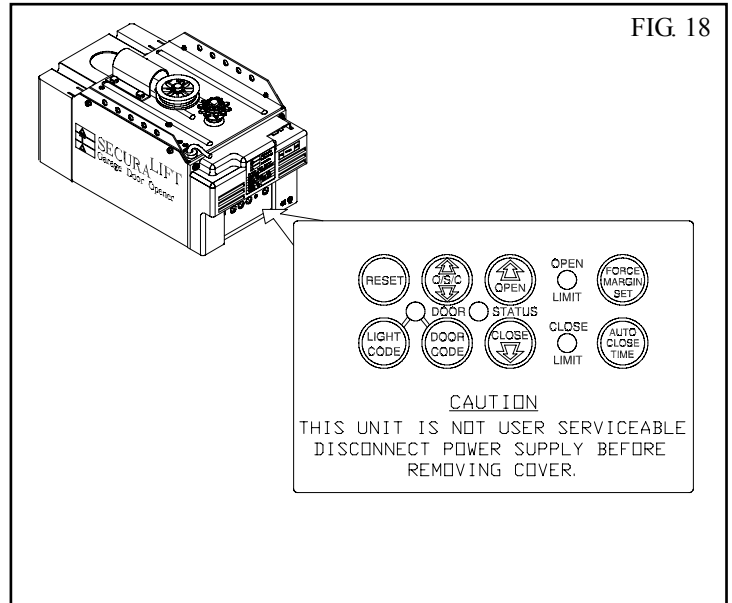
4. Press and hold the green open button. The door will start opening. Release the button once you have reached your desired open limit position. (Fig. 19)

To fine tune the open limit position turn the green open limit adjust screw anticlockwise until the green open limit LED is illuminated.

5. Press and hold the red close button (Fig. 19). The door will start closing. Release the button once you have reached your desired closed limit position.

To fine tune the close limit position turn the red close limit adjust screw clockwise until the red close limit LED is illuminated.

6. Use the open and close drive buttons to check that you are happy with the limits positions. (Do not use O/S/C button). If an adjustment is necessary turn the limit adjust screws as required. With a 10 tooth sprocket the shuttle will travel approximately 20mm for every 1/4 turn and approximately 16mm where the 7 tooth sprocket is fitted.



SETTING SAFETY OBSTRUCTION FORCE

STEP 16 - SETTING OPEN AND CLOSE SAFETY OBSTRUCTION FORCE

The safety obstruction force is calculated automatically and set in the memory of the SecuraLift®. This applies to both the Open and Close Force..

WARNING: When step 16.1 is initiated the garage door will do a full open and close cycle automatically. Please keep door way clear to avoid any personal injury or damage to property.

16.1 TO INITIALISE OBSTRUCTION FORCE

1. Press and hold the close button (**Fig. 20**), to move the door to the fully closed position. Check that the red LED is illuminated to confirm that the door has reached the closed limit position
2. Press the Reset button (**Fig. 20**) for two seconds, the door should start opening. As soon as the door reach's the fully open position it will pause momentarily then start to close.

The door has to do a full open and close cycle with no interruptions for the safety obstruction parameters to be calculated and set automatically. A default safety force pressure margin is preset in the factory. Under normal operating conditions this default margin should not be changed. If you are not satisfied with the pressure settings you can adjust as per below.

IMPORTANT NOTE: Whenever the Limit Adjustment Screws are adjusted the safety obstruction force has to be re-initialised because the door travel distance may have changed. To re-initialise please follow STEP 16.1 above.

Note: The remote control function is enabled when this safety step is completed properly.

16.2 TO INCREASE FORCE PRESSURE

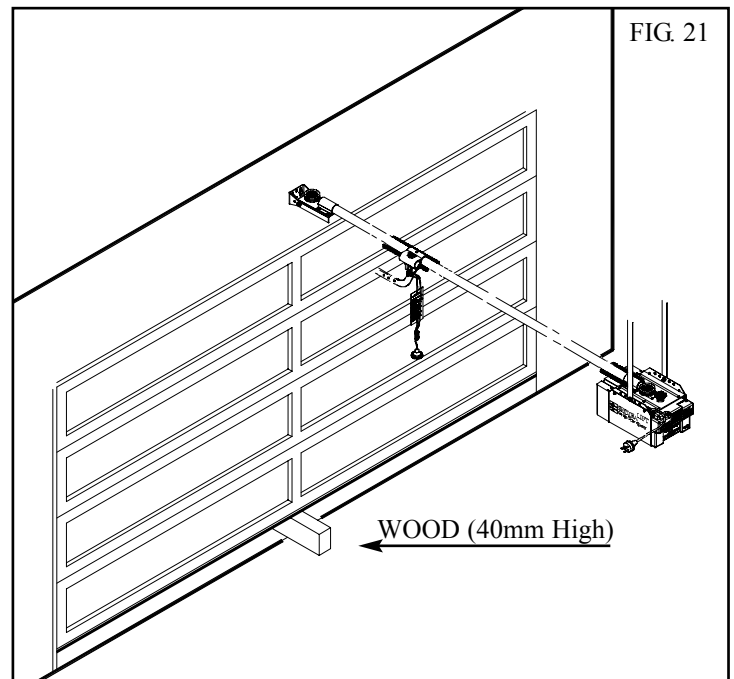
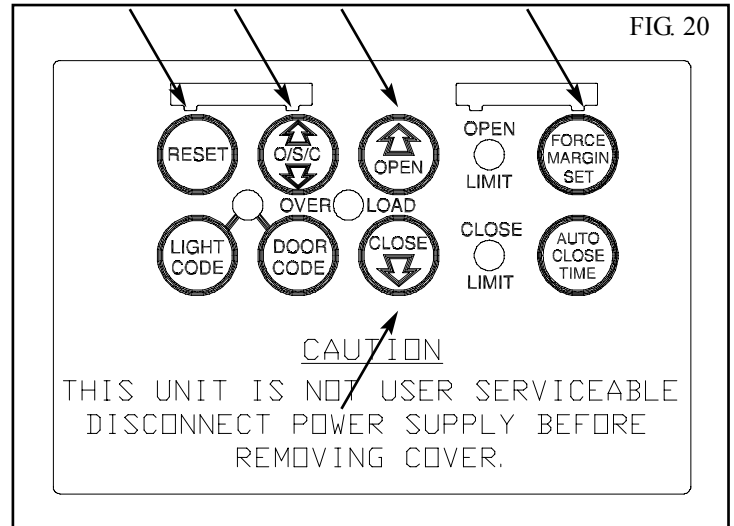
1. Press and hold the Force Margin Set button (**Fig. 20**).
2. While holding Force Margin Set press the green Open button. The green LED will illuminate each time the green open button is pressed to indicate that the force pressure is being increased. If the green LED flashes continuously when the open button is pressed this indicates that the maximum force pressure setting has been reached.

16.3 TO DECREASE FORCE PRESSURE

1. Press and hold the Force Margin Set button (**Fig. 20**).
2. While holding Force Margin Set press the red Close button. The red LED will illuminate each time the red Close button is pressed to indicate that the force pressure is being reduced. If the red LED flashes continuously when the red close button is pressed this indicates that the minimum force pressure setting has been reached.

16.4 TO RECALL FACTORY SET FORCE

1. While holding Force Margin Set press the RESET button for two seconds.
2. Release both buttons. The default setting should now be recalled.



16.4 SAFETY OBSTRUCTION TEST TESTING CLOSE CYCLE

1. Open the door by pressing the Yellow O/S/C button (**Fig. 20**).
2. Place a length of timber 40mm high on the floor directly under the door (**Fig. 21**).
3. Press the Yellow O/S/C button to close door. The door should strike the object and start to re-open.

TESTING OPEN CYCLE

1. Close the door by pressing the Yellow O/S/C button. (**Fig. 20**).
2. Press again to open the door. When the door opens half way grab the bottom rail of the door firmly, the door should stop.

If the door does not reverse readily when closing, or stop when opening, the force may be excessive and need adjusting.

IMPORTANT WARNING: If the door is closing and is unable to re-open when obstructed discontinue use. Do not use a door with faulty obstruction sensing. Repair fault and re-test before using.

CODING TRANSMITTERS

STEP 17 - STORING TRANSMITTER CODES

Make sure to connect the battery to the transmitters. The memory in the opener's receiver can store up to 27 different remote control transmitters.

17.1 STORING TRANSMITTER CODE

1. Press and hold the Door Code button (Fig. 22).
2. Press the button (one of four) on the transmitter you would like to use to control the door for two seconds.
3. Pause for two seconds. Press the same button again on the transmitter for two seconds.
4. Release the Door Code button.
5. Press the transmitter button to test if it operates the door.

17.2. STORING TRANSMITTER(S) FROM A REMOTE LOCATION

Using this method you don't need to have access to the control panel on the door opener. However, you do need a transmitter that is pre-coded to the opener's receiver.

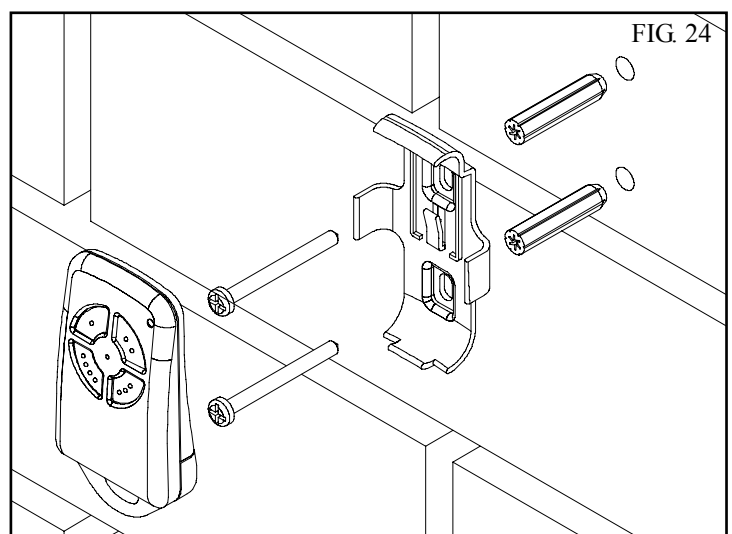
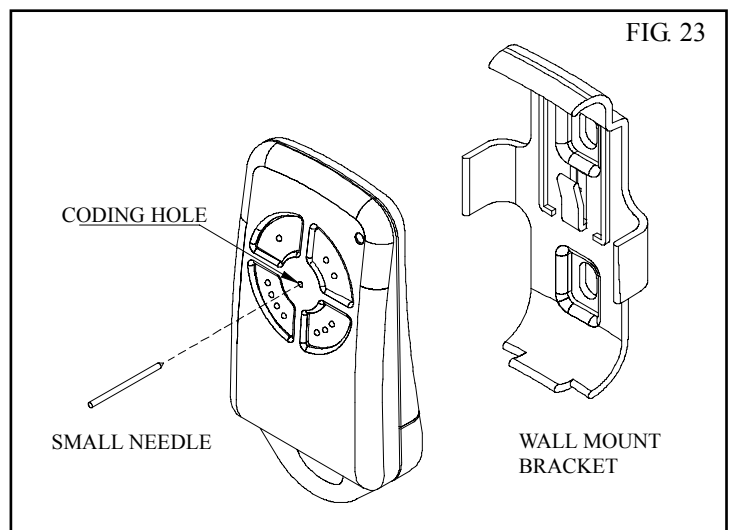
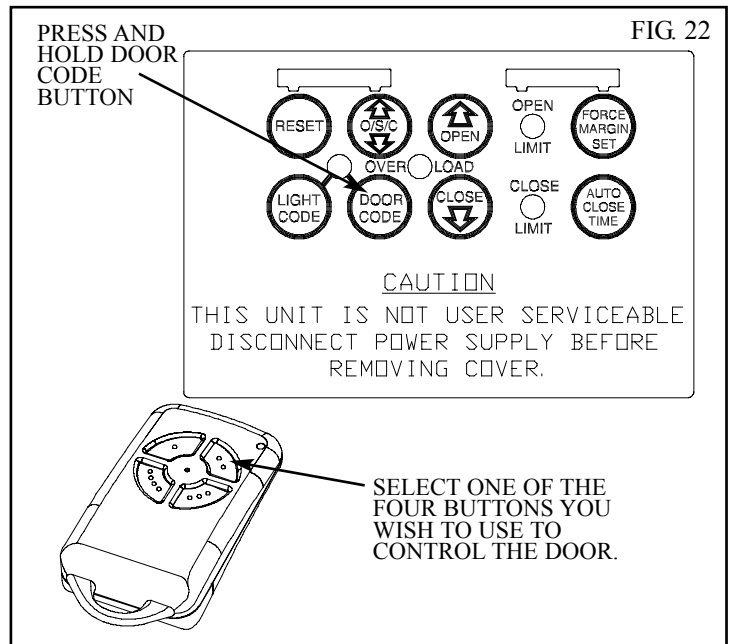
IMPORTANT NOTE: The door or courtesy light will be activated when the step below is performed. The door moving or light switching on is to confirm, from a remote location, that the correct button was pressed and the transmitter is in range of the opener.

1. Take any pre-coded transmitter. Press the button for the function you require until the door is activated and release.
2. Then using a small needle press through the Coding Hole and hold firmly for two seconds (Fig. 23).
3. Within 10 seconds take the additional transmitter you wish to code.
4. Press the button (one of four) on that transmitter you would like to use to control the door for two seconds, pause for two seconds. Press the same button again on the transmitter for two seconds, the button should now be recorded.
5. Wait for 10 seconds and then press the recorded transmitter button to confirm that it operates the door.

STEP 18 - INSTALLING WALL MOUNTED TRANSMITTER BRACKET

1. Mount the bracket in a location out of reach of children and convenient to the customer. (Fig. 24). Make sure the door is visible from this location.
2. The transmitter can be easily clipped in and removed from the holder as required.

IMPORTANT NOTICE: DO NOT CUT THE ANTENNA WIRE AND KEEP IT AWAY FROM ANY METAL. IF THIS NOTICE IS NOT FOLLOWED RANGE WILL BE REDUCED.



CODING TRANSMITTERS

STEP 19 - SETTING THE TRANSMITTER TO OPERATE THE COURTESY LIGHT

The transmitter can be programmed to operate the courtesy light on the door opener.

1. Press and hold Light Code button (Fig. 25).
2. Press the button on the transmitter you would like to use to switch on the light for two seconds
3. Pause for two seconds. Press the same button again on the transmitter for two seconds.
4. Release all buttons to store the transmitter in memory.
5. Press the transmitter button to test if it switches on the light.

19.1. ADJUSTING COURTESY LIGHT TIME

The preset courtesy light time on the Door Opener is 3 minutes. This time can be changed as below.

1. Press and hold the Auto Close Time and Force Margin Set buttons together (Fig. 26).
2. While holding the two buttons, press the green Open button (Fig. 26). Each press will add 10 seconds to the light time.
3. To decrease the time follow step 1 and press the red Close button (Fig. 26). Each press will deduct 10 seconds from the light time.
4. To recall the factory set default light time press and hold the Auto Close Time, Force Margin Set and Reset buttons together for about 2 seconds. (Fig. 26).

20. DELETING PROGRAMMED CODES

20.1 DELETING A STORED TRANSMITTER CODE

1. Select the transmitter you want to delete.
2. Press and hold the Door Code button (Fig. 27).
3. Press the transmitter button you would like to delete for two seconds.
4. Pause for two seconds. Press the transmitter button again for two seconds.
5. Release the Door Code button. The code should now be deleted. Confirm this by pressing the transmitter button, the door should not respond.

20.2 DELETING ALL STORED TRANSMITTER CODES

1. Turn the power off to the opener.
2. Press and hold the Door Code button (Fig. 27).
3. Turn the power on again, while holding the Door Code button. Release Door Code when the Coding LED illuminates.
4. All the stored codes including the courtesy light codes should now be deleted. Confirm this by pressing the transmitters previously used to operate the door. The door (and light) should not respond.

FIG. 25

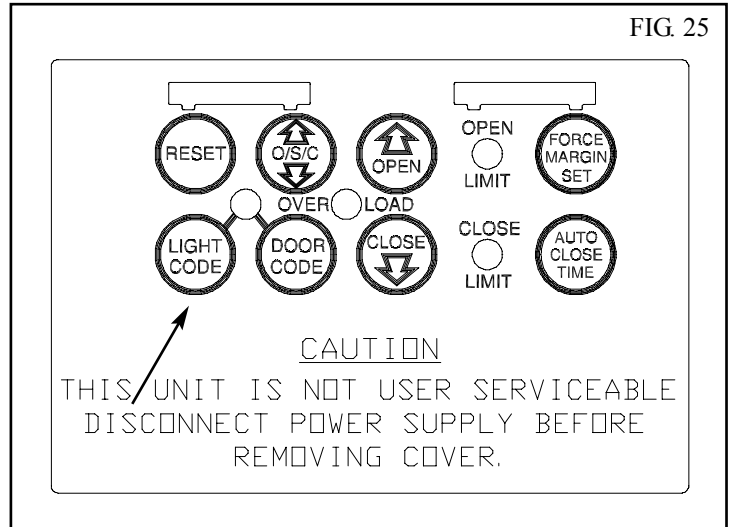


FIG. 26

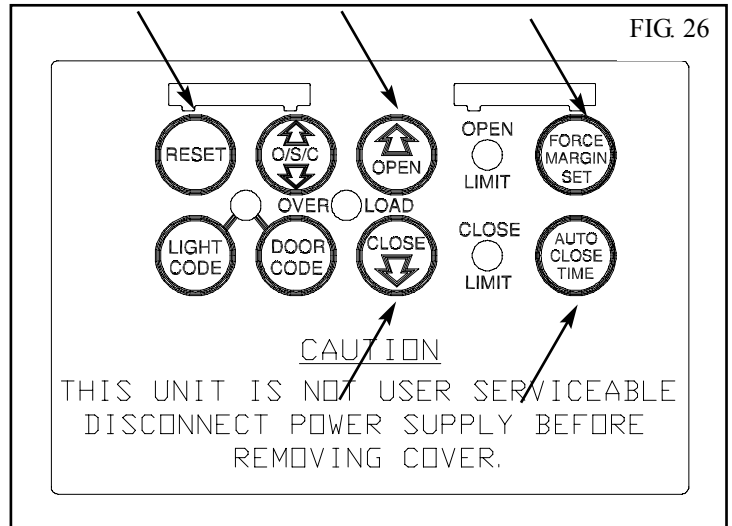
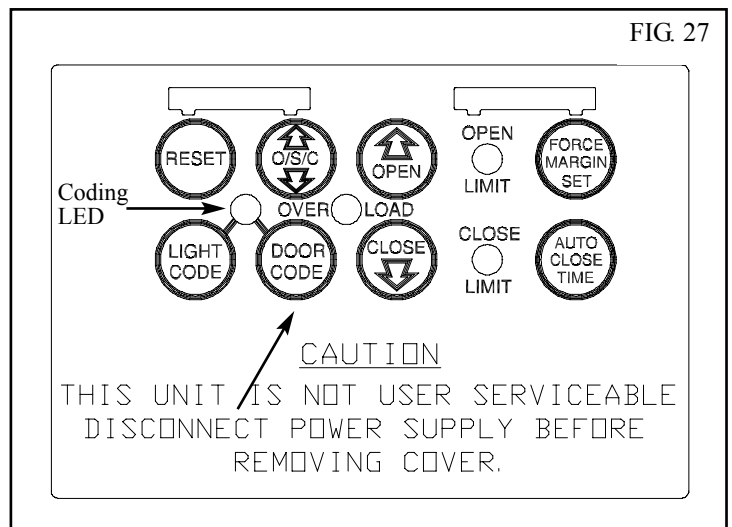


FIG. 27



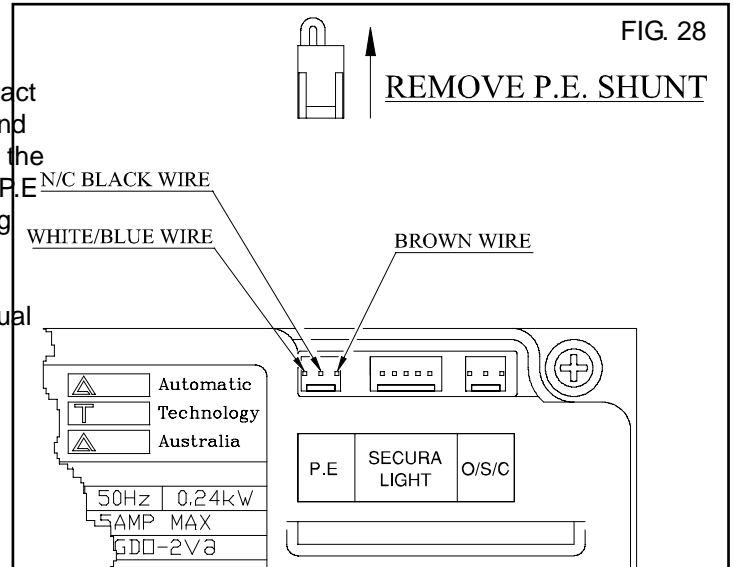
P.E. BEAM AND AUTO CLOSE

STEP 21 - FITTING THE SAFETY PHOTO ELECTRIC BEAM SENSOR (OPTIONAL)

Locate the Photo Electric Beam (P.E.) normally closed contact type in a strategic location within doorway. We recommend 150mm above the floor level and as close as possible to the door opening, inside the garage. Remove shunt from P.E. connector (Fig. 28) and connect the plug from the P.E. wiring harness to P.E. connector (Fig. 29). The wiring diagram is for Model PHBE (Order Code 90214).

Make sure to align the beams correctly. Follow the manual supplied with the Photo Electric Beam.

WARNING; When using Auto Close Mode and P.E. beams, the doorway must be clear of all obstructions and persons at all times. The location of the beam and manner in which it is installed might not give safety protection at all times. Check to make sure that the height of the beam and type used give maximum protection possible.

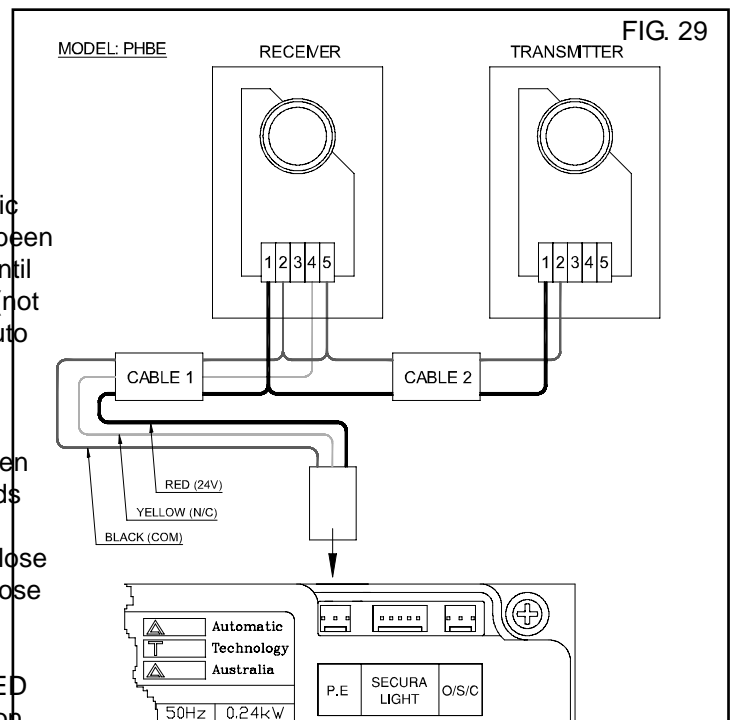


STEP 22 - SETTING AUTO CLOSE TIME

IMPORTANT NOTICE: IT IS COMPULSORY TO INSTALL A PHOTO ELECTRIC BEAM BEFORE USING THE AUTO CLOSE MODE.

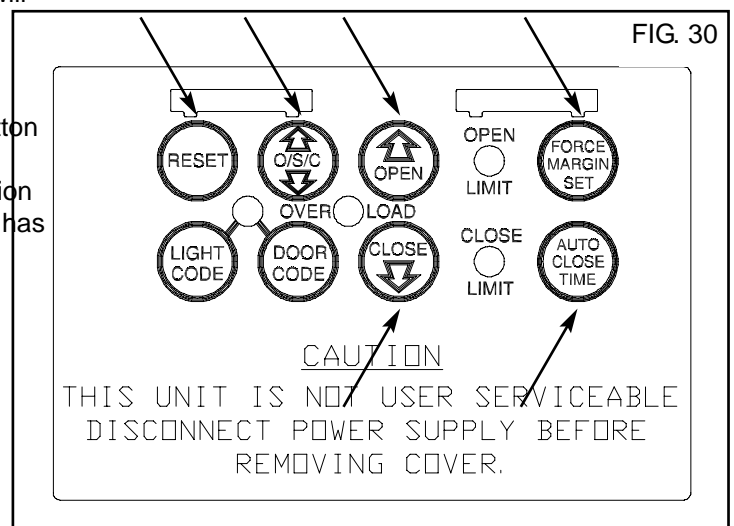
The Auto Close timer will only start after the Photo Electric Beams (P.E.) path is broken and the auto close time has been set. If the P.E. path is not broken the door will remain open until the path is broken. If the door opener incurs an obstruction (not from the P.E.) while closing the door will re-open and not auto close until the path of the P.E. beam is broken again.

1. Press and hold the Auto Close Time button (Fig. 30).
2. While holding the Auto Close Time button, press the Open button (Fig. 30). Each press of this button will add five seconds to the auto close delay time.
3. To decrease the delay time follow Step 1 and press the Close button. Each press will deduct five seconds from the auto close time.
4. Press the O/S/C button (Fig. 30) or transmitter to open the door. When the door is fully opened the Open Limit green LED will flash to indicate that the auto close mode is in operation. Break the path of the P.E. Beam momentarily, the door will close after the set auto-close time has elapsed.



23. RE-INITIALISING THE OPENER

To re-initialise the opener press and hold the Reset Button (Fig. 30) until the open limit LED illuminates. The door will start to move and re-calculate force margins. The initialisation is complete and the door is ready for use when the door has completed a full open and close cycle.



PARAMETERS

DOOR STATUS INDICATORS

DOOR OPENER STATE	GREEN OPEN LED	RED CLOSE LED	YELLOW DOOR STATUS LED	COURTESY LIGHT	BEEPER
OPEN	ON				
CLOSE		ON			
OPENING	FLASHING				
CLOSING		FLASHING			
DOOR TRAVEL STOPPED	FLASHING	FLASHING			
DOOR OBSTRUCTED WHEN OPENING	FLASHING				BEEPS ON & OFF
DOOR OBSTRUCTED WHEN CLOSING		FLASHING			BEEPS ON & OFF
DOOR OVERLOADED	ALTERNATING FLASHES	ALTERNATING FLASHES		FLASHES TEN TIMES	BEEPS ON & OFF
DOOR & OPENER APPROACHING OVERLOAD					BEEPS WHILE DOOR IS MOVING
DOOR APPROACHED OVERLOAD 3 TIMES IN 8 CYCLES			ON		BEEPS AT START OF CYCLE
DOOR OPEN WITH AUTO CLOSE MODE SELECTED	ONE SECOND FLASHES				
MAINS POWER INTERRUPTED	RAPID FLASHES				

TECHNICAL SPECIFICATIONS

INPUT VOLTAGE:	230V - 240V AC 50Hz (Other voltages available upon request e.g. 110V AC 60Hz)
MAXIMUM DOOR OPENING:^{1,2}	WIDTH: 5100mm
	HEIGHT: 2400mm
OPENER MAXIMUM OPENING/CLOSING RUN TIME:	30 Secs
RATED LOAD:	200N
RECEIVER TYPE:	UHF 433.92 MHz. AM Receiver
RECEIVER CODE STORAGE CAPACITY:	27 x 4 Button Transmitter Codes
TRANSMITTER FREQUENCY:	433.92 MHz
CODING TYPE:	Hopping Code
No. of CODE COMBINATIONS:	Over 4.29 Billion Random Codes
CODE GENERATION:	Non-linear Encryption Algorithm
PTX-4 TRANSMITTER BATTERY:	A23 Alkaline 12 Volts
MOTOR TYPE:	1/3 H.P. (AC) Alternating Current
MOTOR VOLTAGE:	230V - 240V AC
GLOBE:	Edison Type (screw mount) 240V 60W (rough service)

Note:

1. The maximum door opening on which the SecuraLift® can be installed is 5100mm wide by 2400mm high. The door must be well balanced. A person should be able to lift the door up manually with very little effort in case of an emergency.
2. Intermittent operations may occur in areas which experience very strong winds. The strong wind puts extra pressure on the door and tracks which may in turn trigger the safety obstruction detection system intermittently.

TROUBLE SHOOTING

SYMPTOM	POSSIBLE CAUSE	REMEDY
Door will not operate.	Mains power not switched on. Door is obstructed. Door is locked or motor jammed. Door tracks/hardware damaged.	Switch on mains power. Remove obstruction. Unlock door or remove jam. Door requires service/repair by qualified technician.
Door starts to close but automatically reverses to open position.	Adverse weather conditions (wind or cold) causing door to stiffen and become tight in the tracks. Possible obstruction in the doorway.	Increase force margin setting see Step 16 on page 13. To re-initialise the door see Step 23 Pg 16. Remove obstruction.
Door operates from drive unit (O/S/C) button but not from transmitter.* See note.	Transmitter code not stored in memory. Flat Battery.	Code transmitter in to openers memory. Refer Step 17 on page 14. Replace battery - A23 Alkaline 12V.
Door will not close fully.	Door limit positions need to be reset.	Reset limit positions. Step 15.2 Page 12.
Door will not open fully.	Door limit positions need to be reset.	Reset limitspositions. Step 15.2 Page 12.
Courtesy light not working.	Globe blown.	Replace globe - Edison Type 240V 60W.
Globe keeps blowing.	Incorrect globe type - must be rough service or construction globe.	Replace globe - Edison Type 240V 60W. must be rough service/construction globe.
Auto close not working.	PE Beam or wiring faulty PE Beam not aligned correctly. PE Beam is obstructed. Door obstructed when closing. Auto close time not set.	Repair PE Beam or replace wiring. Re-align optics. Remove obstruction from the path of PE. Remove obstruction. See Step 22 on page 16.

***Please Note:** Some areas may be prone to excessive radio interference brought on by devices such as cordless telephones, wireless stereo headphones and baby monitors. It is possible that these devices could cause a degree of interference such as to greatly reduce the range of the transmitter. In such an instance please contact your ATA dealer for an alternative frequency replacement kit. As this is not a warrantable situation but an environmental issue charges may apply for the changeover.

FACTORY DEFAULT SETTINGS

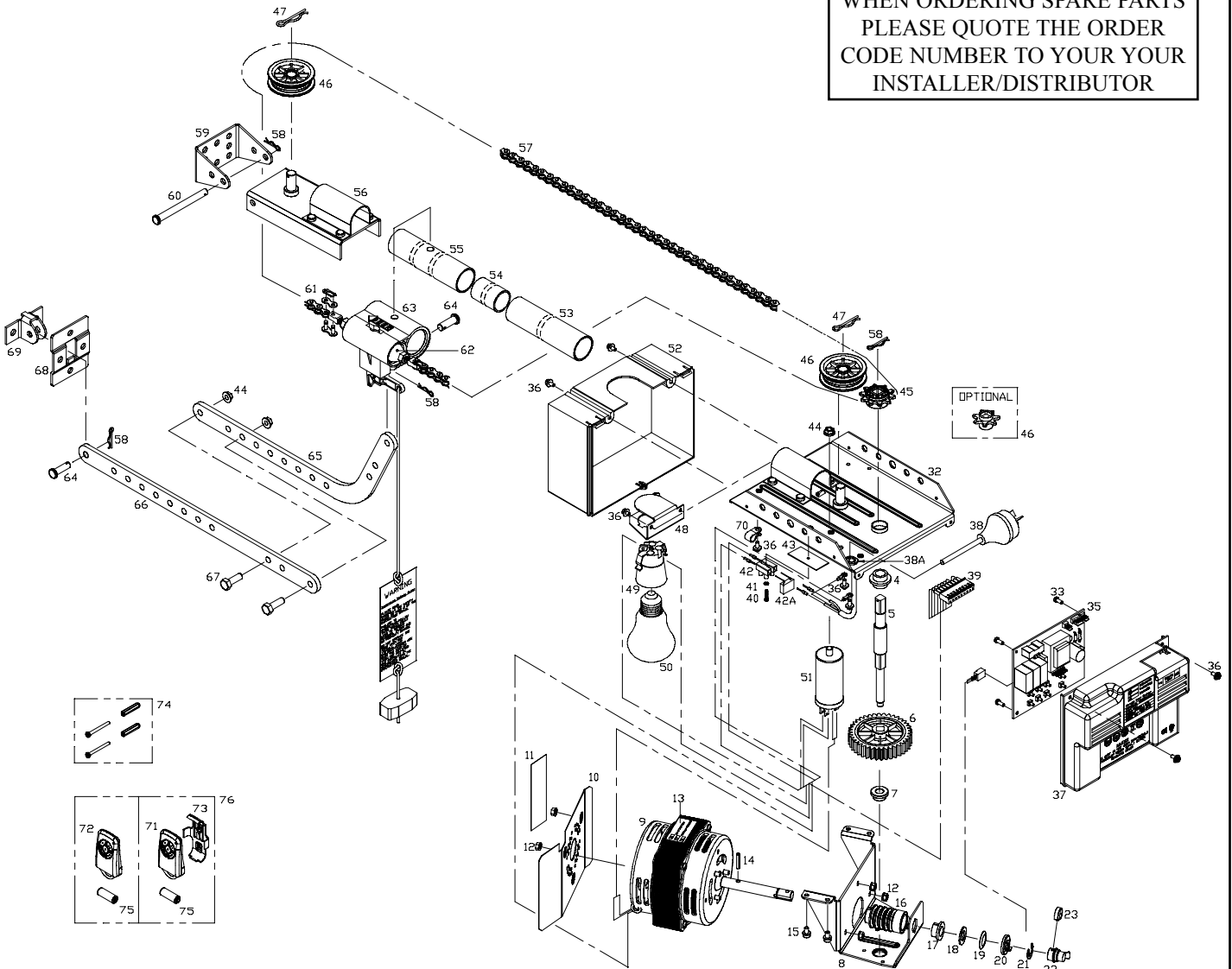
	DEFAULT	STEP	MAXIMUM
MAXIMUM MOTOR RUN TIME	30 Secs.	—	—
COURTESY LIGHT TIME	3 Mins.	10 Secs.	10 Mins.
OBSTRUCTION FORCE MARGIN	14	1	30
AUTO CLOSE TIME	0 Secs.	5 Secs.	4 Mins.

IMPORTANT NOTICE - MAINTENANCE INFORMATION

Your garage door opener should be serviced by an experienced service person. The moving parts (worm drive, helical gear, etc.) need to be lubricated with high pressure grease every 12 months and other critical adjustments (reversing sensitivity, limits adjustments ,etc) checked and adjusted when required as per the installation manual.

SPARE PARTS LIST

WHEN ORDERING SPARE PARTS
PLEASE QUOTE THE ORDER
CODE NUMBER TO YOUR YOUR
INSTALLER/DISTRIBUTOR



42A	CAP POLYFILM 0.1UF K X2 275VAC	07575
42	TERMINAL BLOCK 500/02BS 2 POS	05421
41	INT. TOOTH LOCK WASHER 1D 3	11150
40	PAN HD. SCREW M3x14	10360
39	HARNES ASSY CB-8 V2	14440
38A	CORD GRIP GRIMET SB-6R-3-K	05600
38	POWER CORD 1.5M W2PIN + 1 RING	14150
37	BOARD HOUSING S-AY V6	01583
36	PAN HD. SCREW W/WASHER M4x10	10340
35	CONTROL BOARD CB-8 V-6.01	00775
33	TAPITITE SCREW #8 M4x8	10580
32	BASE PLATE CX ASSY	02151
31	LIMITS CONTROL ASSY	00252
30	ADJUSTMENT SCREW	13851
29	LIMITS HOUSING	13881
28	LIMITS NUT	14001
27	HOLDER SWITCH CX - RIGHT (U)	13887
26	HOLDER SWITCH CX - LEFT (D)	13884
25	MINIATURE MIC. SWITCH AV 3844619	09280
24	MICROSWITCH CX HARNESS	14280
23	CHOPPER CLIP	04960
22	CHOPPER WHEEL	04950
21	E. CIRCLIP NIS40 0050	10799
20	CUP WASHER W/ KEY A	11164
19	WAVE SPRING WASHER	12380
18	THRUST WASHER NTA 815	14300
17	BUSH 12717	04270
16	WORM 2520 2S	04931
15	FAN HD. SCREW W/WASHER M5x10	10281
14	SEL - LDK SPRING PIN ACP M4x20	02590
13	LABEL - THERMALLY PROTECTED	13620
12	HEX NUT W/INT TOOTH WASHER M5	10881
11	LABEL 240V 60 WATT GDD-2	13630
10	PROTECTION COVER	13790
9	MOTOR AC. MQ 0.24 KW	14422
8	MOTOR BRACKET	13772
7	BUSH 1D 10x10	04290
6	HELICAL GEAR 34209	04941
5	DRIVE SHAFT 16127	04542
4	BUSH 127 ID 18	04261
3	TAPITITE SCREW #8 BLACK M3.5x6	10542
2A	TAPITITE SCREW #8 W/WASHER M4x8	10499
2	TAPITITE SCREW #8 M4x10	10498
1	COVER ASSY V4	01597

76	SECURACODE PTX-4 & W/S PACK	01220
75	ALKALINE BATTERY A23 12V	13030
74	PLASTIC WALL PLUG PACK	01479
73	PTX HOLDER	05196
72	TRANSMITTER GB PTX-4	01210
71	TRANSMITTER RB PTX-4	01211
70	CABLE CLAMP ACC - L5 (3/16")	11750
69	DOOR BRACKET LOCATOR	02515
68	DOOR BRACKET	02511
67	HEX HD. SCREW M8x25	10110
66	STRAIGHT ARM	02790
65	BENT ARM	02800
64	CLEVIS PIN #8	02550
63	SHUTTLE ASSY	00272
62	CHAIN INDEX CX ASSY	01452
61	CHAIN JOINT LINK	02950
60	PIN	05790
59	WALL BRACKET	02521
58	SNAP PIN SSP 8 ZNU 31080	10720
57	CHAIN 1/2"x1/8" (499 LINKS) W/2CL	03000
56	SUPPORT PIPE CX ASSY	00292
55	INDEX TUBE - 338605	13811
54	TUBE - INSERT 2970	13830
53	TUBE - 338605	13801
52	LIGHT DIFFUSER	13900
51	CAPACITOR MOTOR 15.0 UF 440VAC 3K Hr	14402
50	GLOBE 250V 60 WATT	14120
49	LAMP HOLDER ZE 204	14270
48	LIGHT BRACKET	13870
47	SNAP PIN SSP 12 ZNU 31120	10730
46	SPRCKET 7T S0	04680
45	SPRCKET 10T P	04695
44	HEX SERRATION FLANGE NUT M8	10148
43	TERMINAL BLOCK SHIELD	14055

76	SECURACODE PTX-4 & W/S PACK	01220
75	ALKALINE BATTERY A23 12V	13030
74	PLASTIC WALL PLUG PACK	01479
73	PTX HOLDER	05196
72	TRANSMITTER GB PTX-4	01210
71	TRANSMITTER RB PTX-4	01211
70	CABLE CLAMP ACC - L5 (3/16")	11750
69	DOOR BRACKET LOCATOR	02515
68	DOOR BRACKET	02511
67	HEX HD. SCREW M8x25	10110
66	STRAIGHT ARM	02790
65	BENT ARM	02800
64	CLEVIS PIN #8	02550
63	SHUTTLE ASSY	00272
62	CHAIN INDEX CX ASSY	01452
61	CHAIN JOINT LINK	02950
60	PIN	05790
59	WALL BRACKET	02521
58	SNAP PIN SSP 8 ZNU 31080	10720
57	CHAIN 1/2"x1/8" (499 LINKS) W/2CL	03000
56	SUPPORT PIPE CX ASSY	00292
55	INDEX TUBE - 338605	13811
54	TUBE - INSERT 2970	13830
53	TUBE - 338605	13801
52	LIGHT DIFFUSER	13900
51	CAPACITOR MOTOR 15.0 UF 440VAC 3K Hr	14402
50	GLOBE 250V 60 WATT	14120
49	LAMP HOLDER ZE 204	14270
48	LIGHT BRACKET	13870
47	SNAP PIN SSP 12 ZNU 31120	10730
46	SPRCKET 7T S0	04680
45	SPRCKET 10T P	04695
44	HEX SERRATION FLANGE NUT M8	10148
43	TERMINAL BLOCK SHIELD	14055

ITEM DESCRIPTION ORDER CODE

ITEM DESCRIPTION ORDER CODE

ITEM DESCRIPTION ORDER CODE

ITEM DESCRIPTION ORDER CODE

ITEM DESCRIPTION ORDER CODE

WARRANTY AND EXCLUSION OF LIABILITY

Subject to all of the matter set out below, Automatic Technology Australia Pty Ltd (“ATA”) warrants for twenty four (24) months from the date of purchase (specified in the receipt sales docket) that the Garage Door Opener System contained in the accompanying packaging (the “Product”) is free of any defects in material and workmanship rendering it unmerchantable.

This warranty referred to above applied only where:

- a) the consumer seeking to rely on the said warranty;
 - 1) returns the Product which it claims to be defective; and
 - 2) presents the relevant sales docket and this warranty document, to the retailer from whom the Product was purchased to confirm that date of purchase; and
- b) the purchaser notified ATA or the retailer from whom the Product was purchased of the alleged defect in the Product immediately upon experience or learning of the alleged defect.

Except for the warranty against defects in material and workmanship set out above, ATA gives no warranties of any kind whatsoever, whether express or implied or whether statutory or at common law, in relation to the Product, and all warranties of fitness for particular purpose and other warranties of whatsoever kind relating to the Product are hereby disclaimed. Without limiting the generality of the foregoing, ATA disclaims any liability of whatsoever nature in respect of any claim or demand loss or damage which arise out of;

- a) accidental damage to or normal wear and tear to the Product or to the Product’s components;
- b) flood, rain, water, fire or lightning;
- c) incorrect, improper or unreasonable maintenance and/or use;
- d) installation, adjustment or use other than ATA which is not in accordance with the instructions set out in installation instructions incorporated in the document;
- e) attempted or complete modification or repairs to the Product carried out by a person who is not authorised by ATA to carry out such modification or repairs;
- f) faulty or unsuitable wiring of structure to which the Product is fixed or connected; and
- g) radio (including citizen band transmission) or any electronic interference.
- h) blown fuses or damage caused by electrical surges.
- i) damage caused by insects.

ATA’s liability under the warranty set out above is limited, at ATA’s absolute option, to replacing or repairing the Product which ATA, in its unfettered opinion, considers to be defective either in material and/or workmanship or to credit the consumer with the price at which the Product was purchased by the consumer.

Where the Product is retailed by any person other than ATA, except for the warranty set out above, such person has no authority from ATA to give any warranty or guarantee on ATA’s behalf in addition to the warranty set out above.

AUTOMATIC TECHNOLOGY AUSTRALIA PTY LTD

ABN 11 007 125 368

17-19 Advantage Rd, Highett, Victoria, Australia 3190

Tel: +61 3 9532 2788 Fax: +61 3 9532 2799

Web: www.ata-aust.com.au Email: sales@ata-aust.com.au