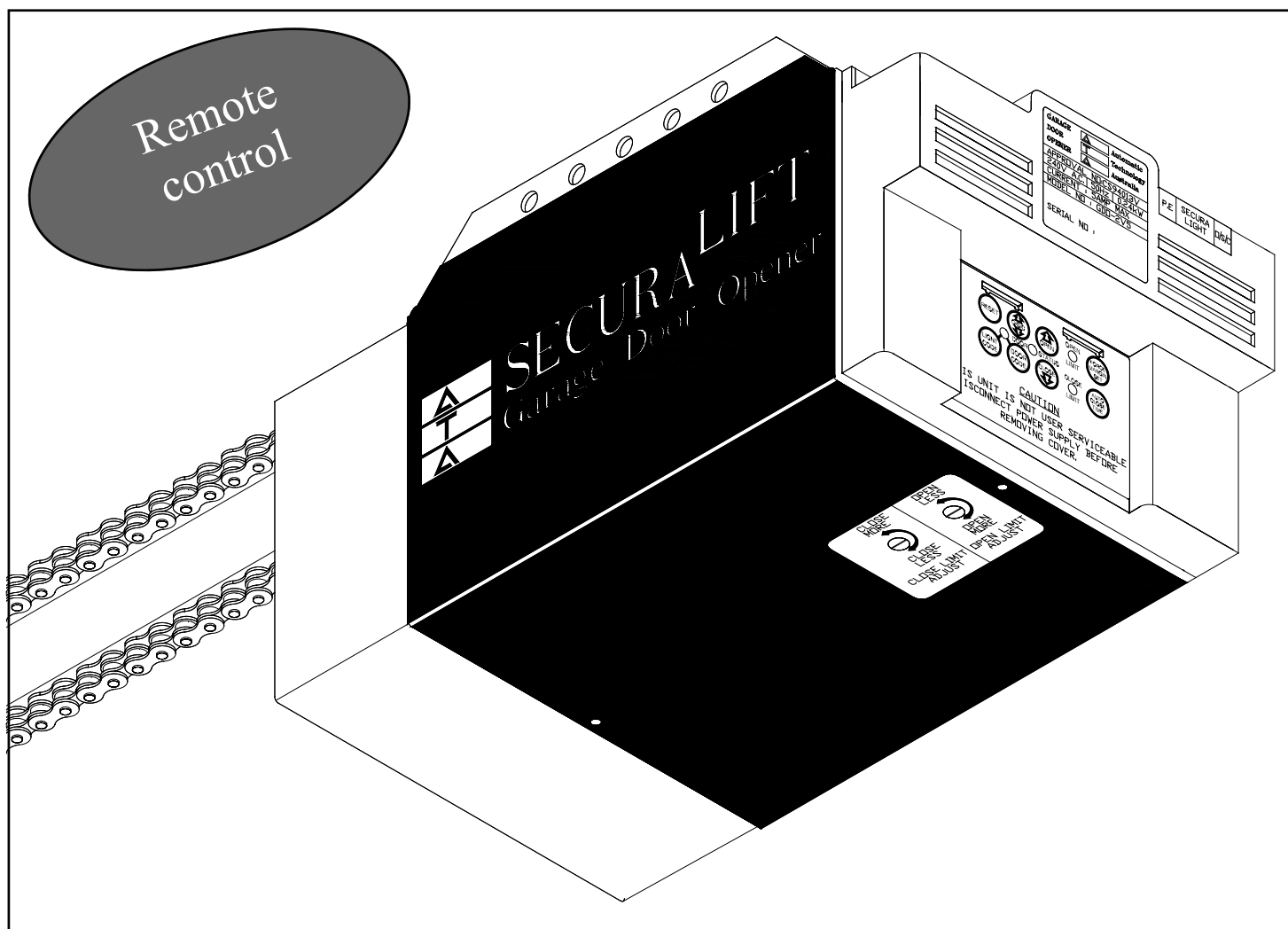


AUTOMATIC TECHNOLOGY AUSTRALIA PTY LTD

# SECURALIFT GARAGE DOOR OPENER



OWNERS COPY

**Installation Instructions  
And Owners Manual**

*Warning: Failure to comply with the  
Installation instructions and the  
Safety warnings may result in  
Serious Personal Injury and/or  
Property Damage and/or Remote  
Control Opener Damage.*

# Contents

	Page
IMPORTANT SAFETY WARNINGS	3
PRODUCT FEATURES	4
OPERATING CONTROLS	5
TUBE/PIPE ASSEMBLY	6 & 7
DETERMINE WHICH TYPE OF GARAGE DOOR	7
MOUNTING OPENER– SECTION DOOR/ONE PIECE DOOR WITH TRACK	8
MOUNTING OPENER– ONE PIECE DOOR WITH OUT TRACK	9 & 10
MOUNTING DOOR BRACKET & ARMS	10
SETTING UP OF LIMITS / SETTING OBSTRUCTION FORCES	11 & 13
STORING TRANSMITTER CODE INTO THE RECEIVER	13
STORING ADDITIONAL TRANSMITTERS	13
DELETING THE TRANSMITTER CODE	14
.SETTING OF COURTESY LIGHT TIME	14
SETTING AUTO CLOSE MODE	15
INSTALLATION OF TRANSMITTER HOLDER	13
DOOR STATUS INDICATORS	13
SPECIFICATION / FACTORY SET DEFAULTS	14
FAULTS / REMEDIES	15
WARRANTY	BACK COVER

## PLEASE READ THESE IMPORTANT SAFETY RULES

***Failure to comply with the following Safety Rules may result in Serious Personal injury and/or Property Damage.***



For **ADDITIONAL SAFETY** protection we **STRONGLY RECOMMEND** the fitting of a Photo Electric Beam to your Garage Door and Opener. In most countries Photo Electric Beams are **MANDATORY** on all Garage Doors fitted with Automatic Openers. For the small additional outlay ATA strongly recommend that Photo Electric Beams be fitted to your Garage Door Opener insuring **ADDITIONAL** safety and peace of mind



**DO NOT** operate the Garage Door Opener unless the Garage Door are in full view and free from objects such as cars and children/people . **SERIOUS PERSONAL INJURY** and/or property damage can result from failure to follow this warning.



**DO NOT** operate the Garage Door Opener when **CHILDREN/PERSONS** are near the door. Children must be supervised near the Garage Door at all time and when the Gate Opener is in use. **SERIOUS PERSONAL INJURY** and/or property damage can result from failure to follow this warning



**DO NOT** allow children to operate the Garage Door Opener. **SERIOUS PERSONAL INJURY** and/or property damage can result from failure to follow this warning.



Make sure that the **REVERSING SENSITIVITY** is adjusted correctly on installation so that the door reverse to the opening position when obstructed with **MINIMUM PRESSURE** and stops on opening cycle when obstructed with **MINIMUM PRESSURE**. Failure to adjust this setting properly and in accordance with the Installation could result in **SERIOUS PERSONAL INJURY** and / or property damage. This test must be repeated at regular intervals and the necessary adjustment made if required.



**DO NOT** disengage The Garage Door Opener to manual operation with children/persons or any other objects including motor vehicles within the doorway.



Install wall switch in a **LOCATION/POSITION** out of reach of children at all time and where the Garage Door is visible.



The Garage Door must be **WELL BALANCED**. Sticking or binding door must be repaired by an experienced service door installer prior to operator installation. **DO NOT** attempt to repair the Garage Door yourself as the hardware is under extreme weight and tension and could cause **SERIOUS PERSONAL INJURY** and/or property damage.



**REMOVE OR DISENGAGE** all Garage Door locks prior to installation or the Garage Door Operation.



Connect the Operator to a properly **EARTHED** general purpose 240V outlet installed by a qualified Electrician.



**DISCONNECT** the **POWERCORD** from the mains before making any repairs or removing the covers! Only **EXPERIENCED** Service Personal can remove the covers from the operator.



Keep hands and any loose clothing well **CLEAR** of the Door and Garage Door Opener at all time.



When using the Auto Close mode a **PHOTO ELECTRIC BEAM** must be correctly fitted and tested for operation at regular intervals. **EXTREME CAUTION** is recommended when using the Auto Close mode. All the **SAFETY RULES** must be followed.



In order for the Garage Door Opener to **SENSE** an object obstructing the doorway, some **FORCE** must be exerted on the object. As a result the object may suffer some **DAMAGE**, the extent of which is depending on the force adjustment set during installation.



Make sure the door is fully open before driving into or out of the garage.



Make sure the door is fully closed before leaving the driveway.

Automatic Technology Australia Pty Ltd to the extent that such may be lawfully excluded hereby expressly disclaims all conditions or warranties Statutory or otherwise which may be implied by laws as conditions or warranties of purchase of an Automatic Technology Australia SecuruaLift Opener and Automatic Technology Australia Pty Ltd hereby further expressly excludes all or any liability for any injury damage, cost, expense or claim whatsoever suffered by any person as a result whether directly or indirectly from failure to install the Automatic Technology Australia Door Opener in accordance with these installation instructions.

## FEATURES

Your Securalift Automatic Garage Door Opener has many features which you will appreciate. The components and materials used in this Automatic Opener are of the latest technology and highest quality. Below are listed some of these features

### **OPERATION**

To operate the door simply press the hand held transmitter or the wall mounted transmitter or optional wall switch for two seconds and the door will automatically open or close. The door can be stopped during an opening or closing cycle by pressing again. The next actuation will move the door in the opposite direction.

### **HOPPING CODE**

Every time a transmission is made from the Remote Transmitter a new security code is generated. The number of possible code combinations is over 4.29 billion. This greatly enhances security of the system. Code 'Grabbing' is made a thing of the past.

### **ISS (INTELLIGENT SAFETY OBSTRUCTION SYSTEM)**

While the door is doing a closing cycle and if it should hit an obstacle or be restricted in some manner, it will automatically reverse. The amount of force the door should encounter before reversing, is automatically adjusted by the doors control system, during the initial installation of the automatic door opener. The door also if restricted whilst opening will stop. The Safety Obstruction Force should be checked at least once a month. See installation manual for instructions.

### **SECURITY CODE STORE**

The Opener uses state of the art technology in storing your selected Transmitter Security Code.

Up to 27 different codes can be stored in the Openers memory.

To store any code simply press and hold the Door Code button on the Opener and press the Transmitter button twice. Each or all codes can be deleted and changed at any time. The codes can also be stored from a remote location.

### **OVER LOAD INDICATOR**

When the maximum opening and closing capacity of the Opener is exceeded the Courtesy Light and Overload LED will flash to indicate that an Overload has occurred.

### **SERVICE INDICATOR**

The Opener has a Service indicator. When the Overload LED lights up continuously it means that the opener and, or garage door needs a service.

### **AUTO COURTESY LIGHT**

The Courtesy Light on the Opener comes on automatically whenever the door is activated to do an opening or closing cycle. The Light can also be switched on and off without operating the door. This is done by pressing the button on the Hand Held Transmitter or Wall Mounted Transmitter which has been stored as the light code, or by pressing the light button on the Wall Switch (optional). The light will stay on for approximately three minutes then go off. This time is also adjustable.

### **CAS (COLOUR ASSISTED SETTINGS)**

To make the installation of the Automatic Opener more user friendly Automatic Technology Australia developed the CAS (Colour Assisted Settings) system. This unique system allows for all the Open and Close adjustments and settings to be colour coordinated, Red for Close and Green for Open. The colour coordination make its easier and quicker for the user or installer to complete the installation.

### **OPEN AND CLOSE DRIVE BUTTONS**

Another feature developed by Automatic Technology Australia in aiding in the installation of the opener are the Open and Close Buttons. These buttons are used to help set the open and close limit

positions. A quicker setting time and a more precise limit position can be achieved using this system.

### **INITIALISATION**

The Reset button on the Door Opener is used to initialise or re-initialise the obstruction settings and door travel counts. See installation manual for instructions.

### **AUTO CLOSE MODE**

The Opener can be programmed to automatically close after an open cycle. The Auto Close time is adjustable. It is compulsory to install a Photo Electric Beam if this mode is selected, otherwise the door will not operate.

### **AUTO RUN TIME**

If the Motor is left running in the Opener for any reason the Auto Run Time will turn the motor off after thirty seconds.

### **PHOTO ELECTRIC BEAM (OPTIONAL)**

The Opener has an input for a Photo Electric Beam to be connected for extra safety protection.

### **MANUAL OPERATION**

The Opener is equipped with a unique Manual Disengaging Device. If the power to the Opener is disrupted for any reason the door can be put into Manual Mode by pulling down on the string handle on an angle towards the door, then

releasing. This will allow you to manually open or close the door. To re-engage pull the string at an angle away from the door then release.

## OPERATING CONTROLS see Fig. 15

- 1. LIGHT CODE button** (White) is used for storing or erasing the transmitter button (code) you wish to use to turn the courtesy light on the Opener on and off.
- 2. DOOR CODE button** (Blue) is used for storing or erasing the transmitter button (code) you wish to use to command the door to open, stop or close.
- 3. CLOSE DRIVE button** (Red) is used during installation to help set the close limit stop position. Pressing and holding this button will move the door in the close direction. Movement stops when the button is released.  
**NOTE: The close safety obstruction detection is inoperable whenever the Close Drive button is used to move door.**
- 4. CLOSE LIMIT Led** (Red) the led is very helpful during installation, it illuminates and flashes when the door is closing and remains steady on when the close limit is activated
- 5. AUTO CLOSE button** (White) is used to adjust the auto close time. While holding in the Auto Close button and then pressing (each press will increase the time by 5 seconds) the Open button the time is increased, pressing the Close button will decrease the time.
- 6. RESET button** (white) is used to initialise and set the door / opener operating parameters, including cycle times and obstruction force settings. Check the installation manual for other uses.
- 7. O / S / C button** (Yellow) is used during installation to test the Open, Stop and Close cycles for the Opener. The Opener has to be initialised by the Reset button before the O/S/C button
- 8. CLOSE LIMIT ADJUST SCREW** (Red) is used to fine adjust the close limit stop position. Check installation section on how to adjust.
- 9. OPEN LIMIT ADJUST SCREW** (Green) is used to fine adjust the open limit stop position. Check installation section on how to adjust.
- 11. OPEN Drive button** (Green) is used during installation to help set the open limit stop position. Pressing and holding this button will move the door in the open direction. Movement stops when the button is released.  
**NOTE: The open obstruction detection is disabled whenever the Open Drive button is used to move door.**
- 12. OPEN LIMIT Led** (Green) the led is very helpful during installation, it illuminates and flashes when the door is opening and remains steady on when the open limit is activated
- 13** The cam operation is only on ATA's EasyRoller roll-up door opener
- 14. FORCE MARGIN SET (white) Button** is used to change the force pressure when the door encounters an obstruction. Pressing the Force Margin Set button and Open or Close button will increase or decrease the force. Normally the force pressure is set automatically. The Force Margin Set is only ever used if other environmental factors (wind, etc.) effect the operations of the Door/Opener.
- 15. P.E. Input** is for connection of Photo Electric Beams (optional extra) for extra safety obstruction protection, or compulsory when used with Auto Close Mode.  
**NOTE: P.E. SHUNT** must not be removed otherwise the Opener will not function correctly. Remove only when a P.E. is to be connected
- 16** This connection is only on ATA's EasyRoller roll-up door opener.
- 17. SECURALIGHT Input** is used for connecting a Securalight (optional extra) Monitor. A Securalight is a monitor unit which is mounted inside your home and is connected to the Opener by wire cable. The monitor indicates the status of the door, for example if the door is moving or is opened or closed, etc. The door can also be controlled from the monitor unit.
- 18. O / S / C Input** is for connecting the wired Wall Switch (optional extra).
- 19. ENGAGE / DISENGAGE HANDLE** when pulled down towards door and released will select manual mode. Used, for example when there is a power failure. Pulling the handle away from door and releasing again will select automatic mode

**LIMITS ARE PRE-SET IN FACTORY PLEASE READ THIS INSTRUCTION MANUAL BEFORE ATTEMPTING TO INSTALL AND USE THE OPERATOR. FAILURE TO COMPLY WITH THE INSTALLATION INSTRUCTIONS MAY RESULT IN SERIOUS PERSONAL INJURY AND/OR PROPERTY DAMAGE.**

## TUBE / PIPE ASSEMBLY

### STEP 1

Slide shuttle assembly onto index tube (one piece only) and insert screwdriver or clevis pin to hold it on tube and slide it into support tube assembly. (FIG 1 & 2) Arrow on shuttle must point towards Garage Door. To assemble the rest of the tubes, always slide short insert tube half way into the long tube, then slide other tube into remaining insert tubes. Continue this process with remaining tube until desired length is achieved.

### STEP 2

The opener is supplied with a 9 teeth Drive Sprocket on Drive Unit. If the Opener is to be fitted to a one piece door without track, exchange the 9 teeth Sprocket on Drive Unit, with a 7 teeth drive sprocket available as an option from ATA.

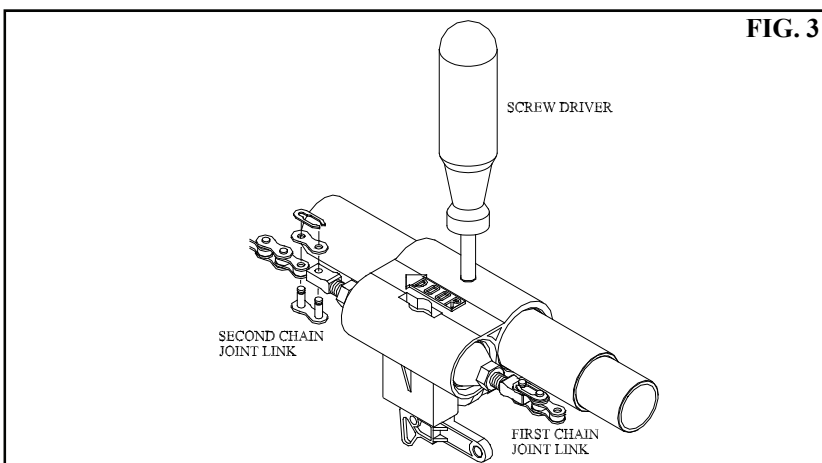
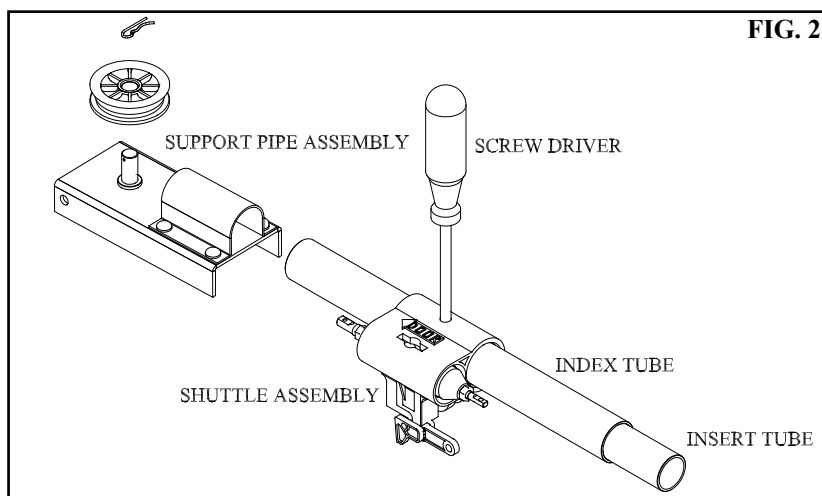
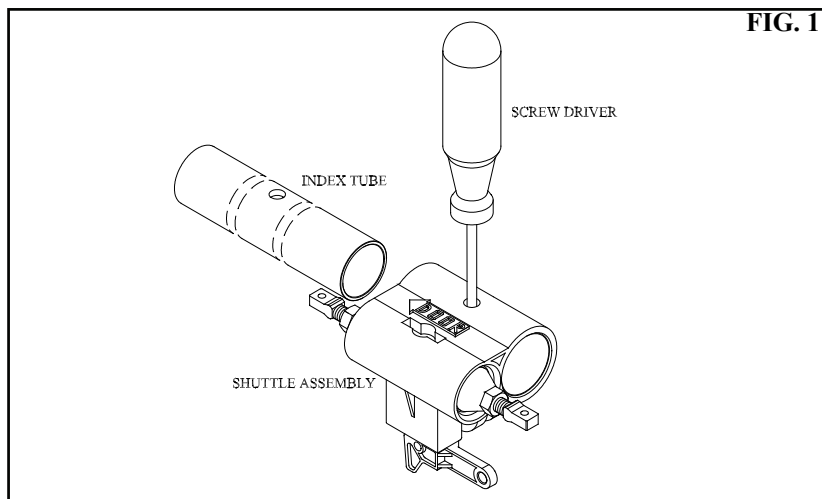
**IMPORTANT:** If using Track Door (often referred to as Panel Lift Door or Track Tilt Door) use only 9 teeth Drive Sprocket on Drive Unit. If using a one piece door without track use the 7 teeth sprocket on Drive Unit.

### STEP 3

Attach one end of chain (supplied) to chain index screw, nearer to drive unit, using one joint link. (FIG. 3)

Proceed to wrap chain around Drive Unit Sprocket/Idler Wheel then go along the pipe to the Idler Wheel on Support Pipe Assembly, finally attach to the other end of the chain index screw.

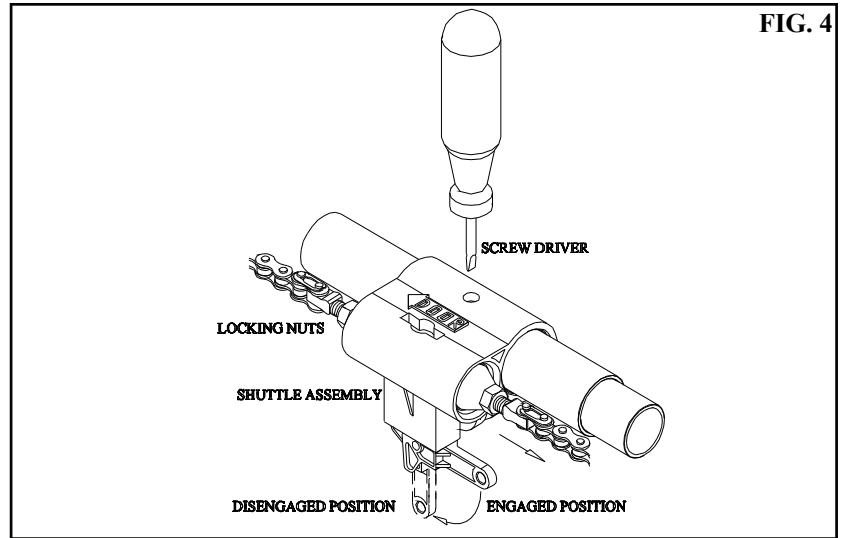
**NOTE:** Make certain that teeth of drive unit Sprocket is engaged in the chain and that the chain is not twisted. Make sure that the chain is engaged in the plastic chain idle wheel on the support pipe assembly.



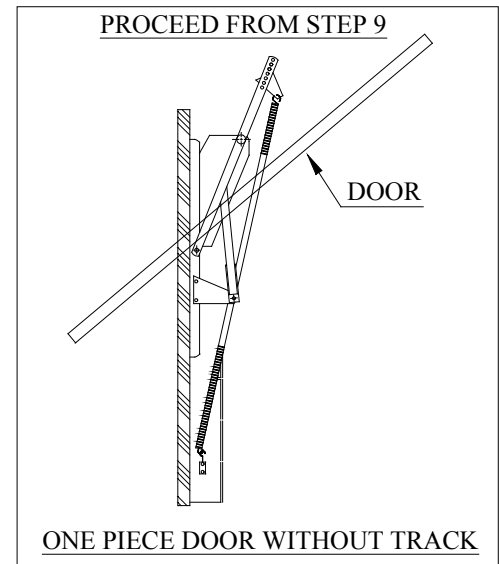
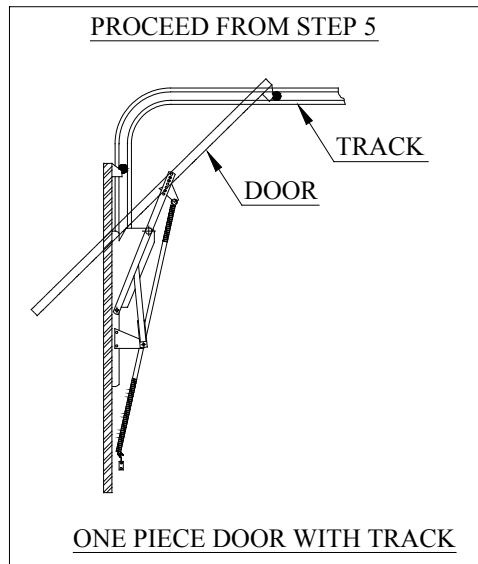
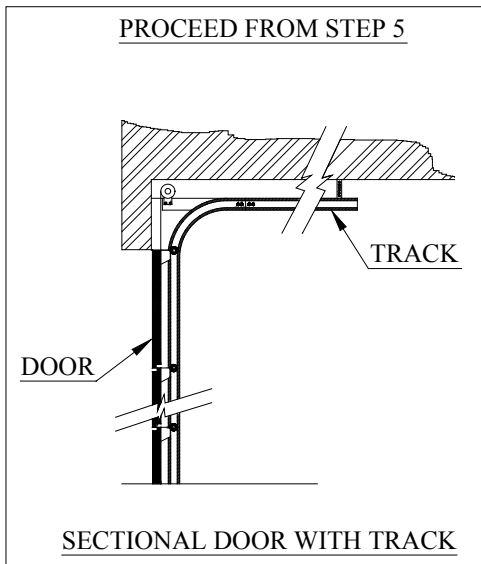
#### STEP 4

Remove locating screwdriver from trolley.  
Disengage trolley from chain index by swinging lever downwards (FIG. 4), then slide trolley away from chain index along pipe track.

Loosen locking nuts on chain index screws. To tighten chain, turn chain index in anti-clockwise direction, looking from support pipe assembly to drive unit. **Do not over-tighten chain as it has to sag 6-12mm.** Check before locking screw with locking nuts that chain is not twisted. When the tension is finalised, tighten lock nuts at both ends of chain index



**Determine which type of Garage Door you have as illustrated below.**

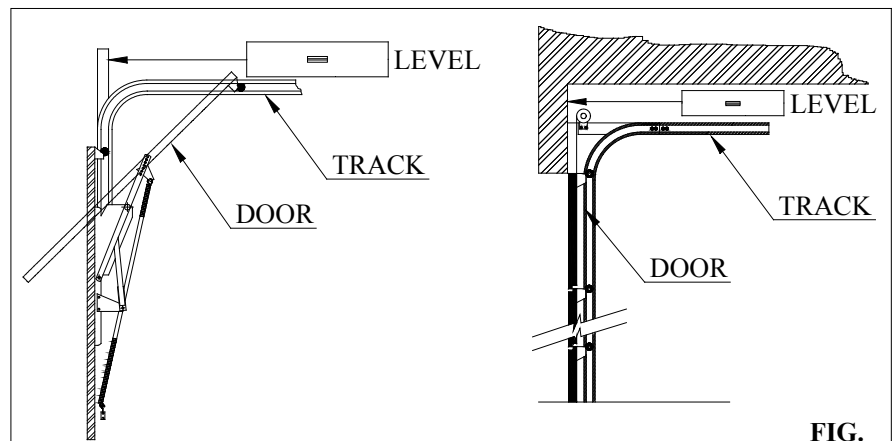


**Mounting Operator – Sectional door/one piece door with track**

#### STEP 5

Open the door and find the highest point of travel of the top door panel. Using a level, transfer this height to the wall above the floor (FIG. 5) and mark a line 60mm above it.

Determine the centre of the location on the wall above and on top of the door. Then draw two (2) lines 21.5mm on each side of the door centre. (FIG. 6)



# Mounting Operator – Sectional door/one piece door with track

## STEP 6

The intersection of line 21.5mm from door centre and line 60mm above highest point of travel are centre points, where holes for mounting of wall bracket should be drilled. (FIG. 6)

If wall bracket is mounted onto concrete or brick wall, use 8mm or 5/6 loxins. If mounting onto wooden lintel or beam, use wood screw #20 or equivalent minimum 50mm long.

**WARNING: MAKE SURE CONCRETE, BRICK WALL OR TIMBER LINTELS ARE SOLID AND SOUND SO AS TO FORM A SECURE MOUNTING PLATFORM.**

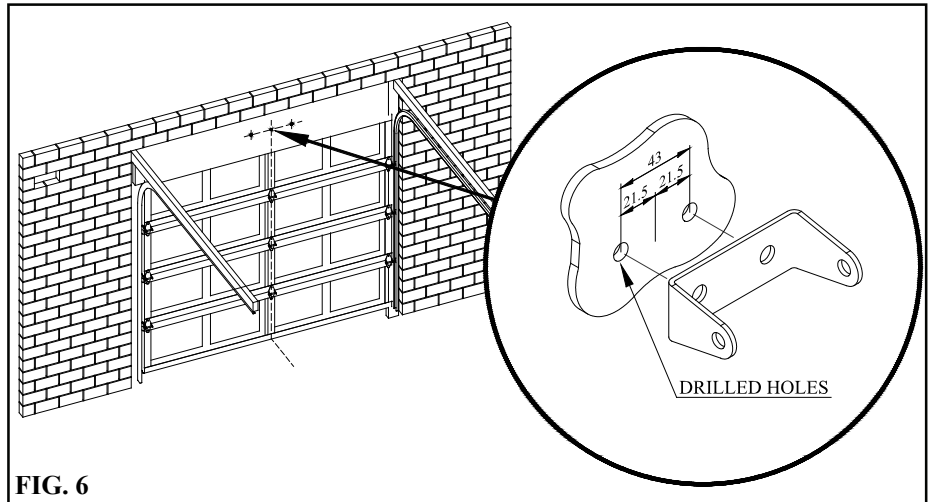


FIG. 6

## STEP 7

When the wall bracket is firmly secured in its proper position, attach the support pipe assembly to wall bracket by 90 mm long clevis pin and secure with spring clip, supplied, (FIG. 7) leaving drive unit in its packing box for protection during installation

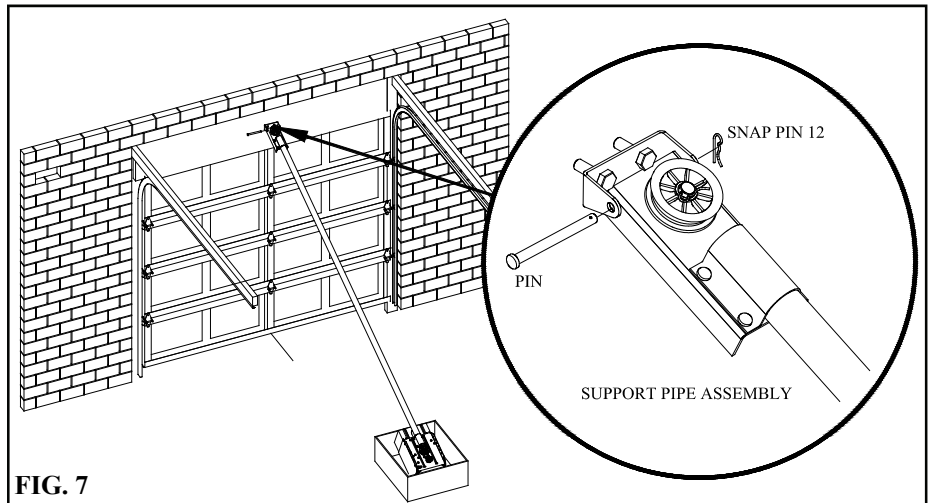


FIG. 7

## STEP 8

Raising the drive end of the opener from the packing box and support it in a horizontal position with a step ladder, then open the garage door. Rest the opener on the open door and use a scrap piece of wood to bring it to horizontal level. Line up the track with the centre line on top of the door. Secure to the ceiling above drive unit mounting holes, with perforated angle (not supplied). A representative mounting is shown. (FIG. 8 & 8a)

Connect angle and drive unit with 2 flat perforated strips of angle (not supplied) with M8 x 20mm screws, nuts and washer. Strips should not extend more than 18mm below centre of drive unit mounting holes. (FIG. 8 & 8a)

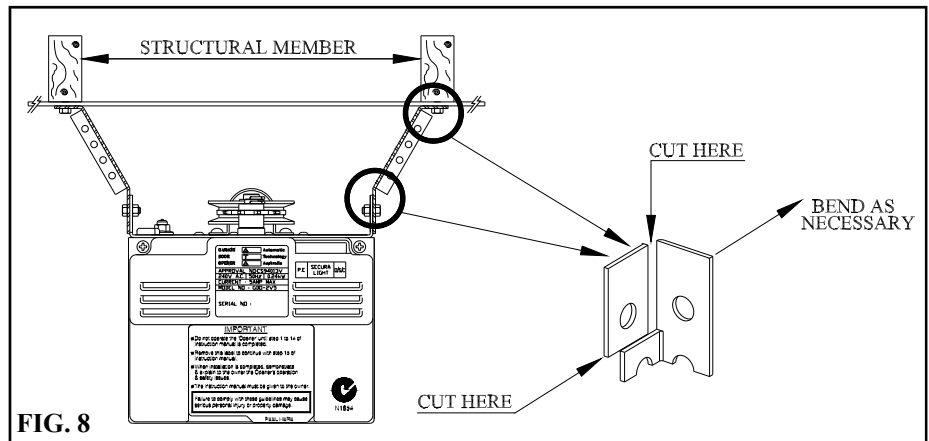


FIG. 8

**WARNING: THE OPENER MUST BE SECURELY FASTENED TO A STRUCTURAL SUPPORT OF THE GARAGE. FAILURE TO FASTEN THE OPERATOR CORRECTLY WILL LEAD TO POSSIBLE OPENER FAILURE CAUSING SERIOUS INJURY TO PERSONS/ AND OR PROPERTY.**

**GO TO STEP 13**

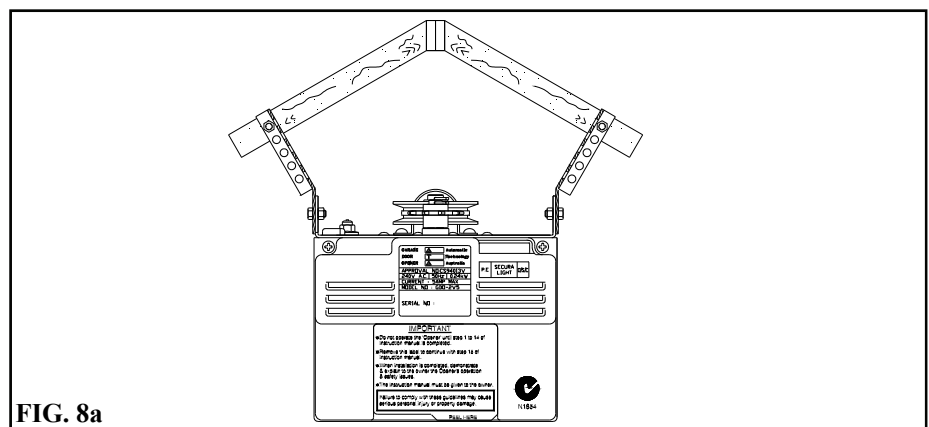


FIG. 8a



# MOUNTING OPENER— ONE PIECE DOOR WITHOUT TRACK

## STEP 9

Determine the centre of the door and mark this location on the wall above and on top of the door. Then draw two (2) lines 21.5mm on each side of the door. (Fig. 9)

**WARNING; MAKE SURE CONCRETE, BRICK WALL OR TIMBER LINTELS ARE SOLID AND SOUND SO AS TO FORM A SECURE MOUNTING PLATFORM.**

## STEP 10

Raise the door to open position. Reset the opener on the top edge of the door with end of the pipe/tube against the header wall and drive unit support in level with the lowest point of the open door. (FIG. 10)

**Note:** Do not slide opener tube/pipe on face of the door when it is open.

Attach the angle (not supplied) to the ceiling and connect angle and drive unit with two (2) flat perforated strips of the angle (not supplied) with M8 x 20mm screws and nuts. Strips should not extend more than 18mm below centre of the mounting holes of the drive unit. A representative mounting is shown. (FIG. 8 & 8a) Do not lock screws at this stage.

## STEP 11

Close the door slowly. The opener pipe/tube will be elevated by the top edge of the door as it moves. Stop the door when it is at its highest point of travel. (FIG. 11)

**Allow 25mm additional height for clearance** between the door and the track. Support pipe / tube in this position and the close the door. (FIG. 11) This will be the height to mount the wall bracket. Top of door must not touch tube.

**WARNING: THE OPENER MUST BE SECURELY FASTENED TO A STRUCTURAL SUPPORT OF THE GARAGE. FAILURE TO FASTEN THE OPERATOR CORRECTLY WILL LEAD TO POSSIBLE OPERATOR FAILURE CAUSING SERIOUS INJURY TO PERSONS/ AND OR PROPERTY.**

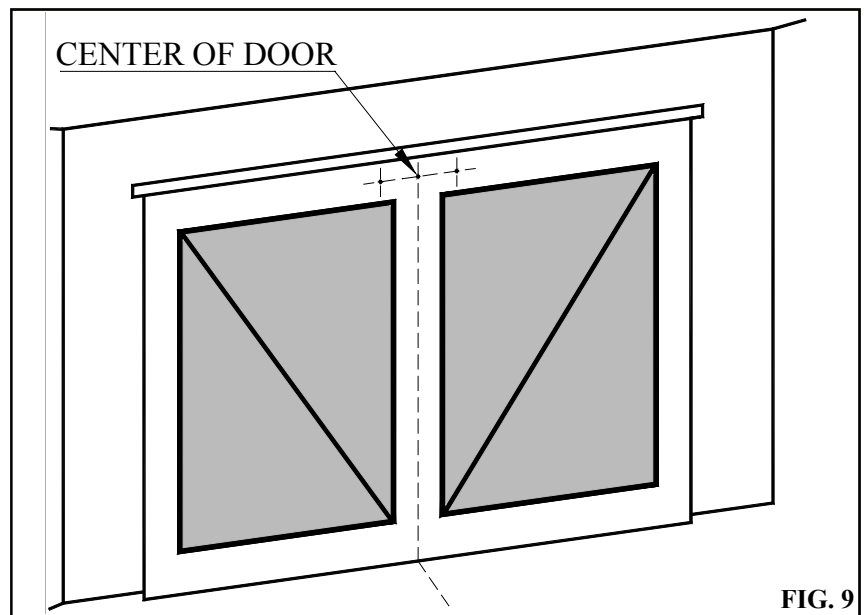


FIG. 9

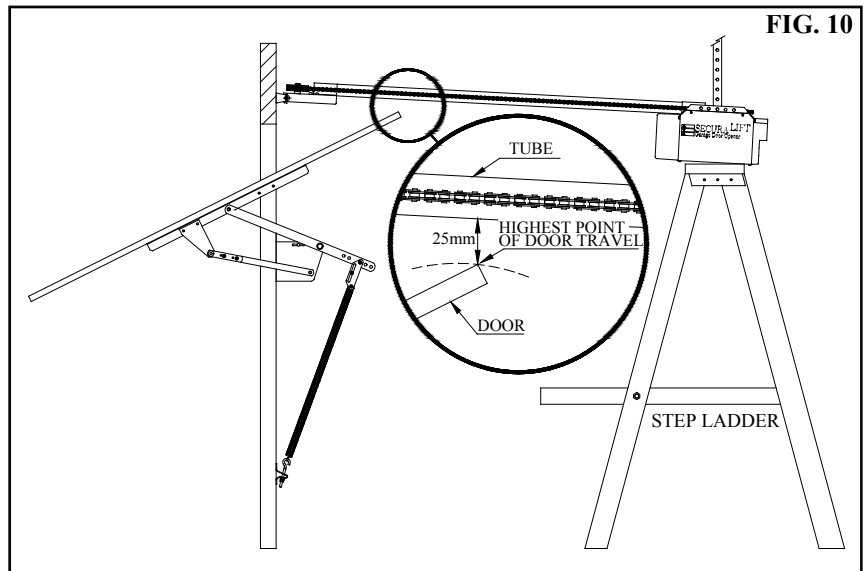


FIG. 10

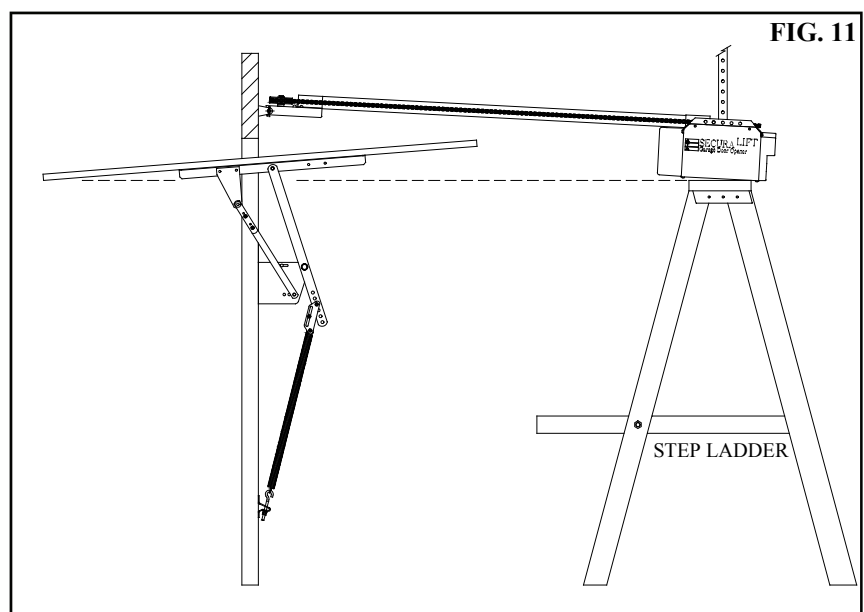


FIG. 11

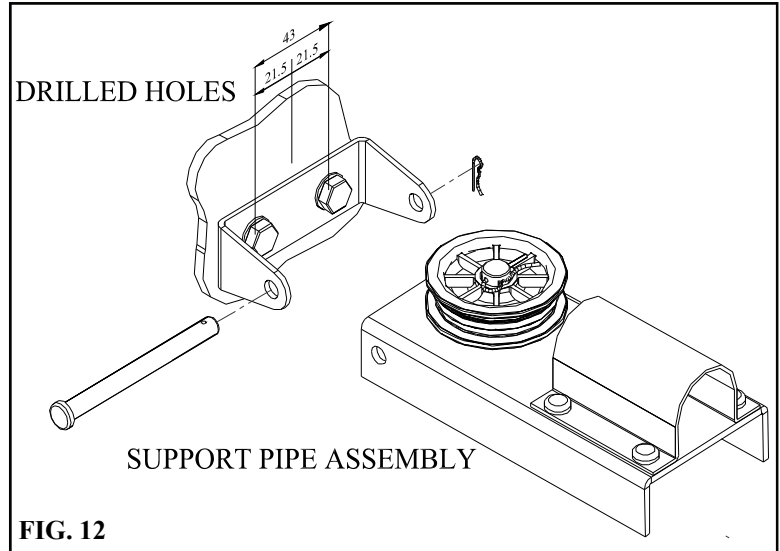
### STEP 12

Mark a line through the centre of the wall bracket onto the header wall (above the door).

Drill holes at intersection of the above line and lines 21.5mm from the centre line of the door. ( Step 9)

If wall bracket is mounted onto concrete or brick wall, use M8 or 5/6 loxins. If mounted onto wooden lintel or beam, use wood screws #20 or equivalent, minimum 50mm long.

Attach the wall bracket to the support pipe assembly with 90mm long clevis pin (FIG. 12) and secure by spring clip.



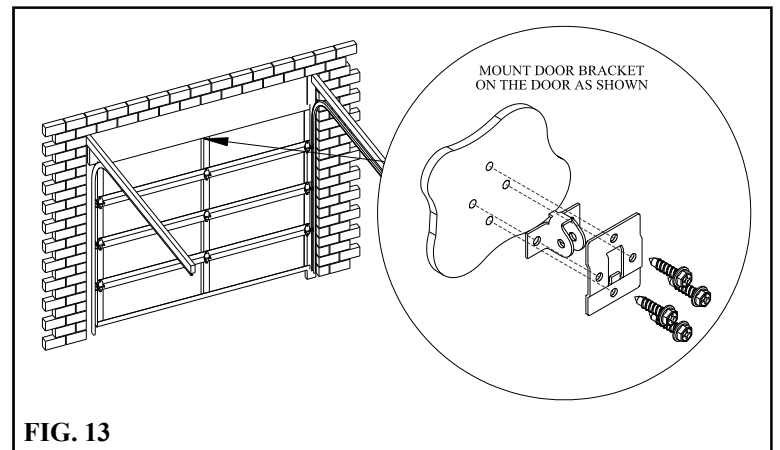
## MOUNTING DOOR BRACKET & ARMS

### STEP 13

The door bracket is in two parts. The bottom plate with two mounting holes is used alone on any one piece doors. The top plate is placed over the bottom plate, uses 4 mounting holes for extra strength, and is used on sectional doors. (FIG 13)

Mount the door bracket to the centre line of the door (FIG 13), using M6 or equivalent screws (not supplied) Alternatively it can be welded on steel doors

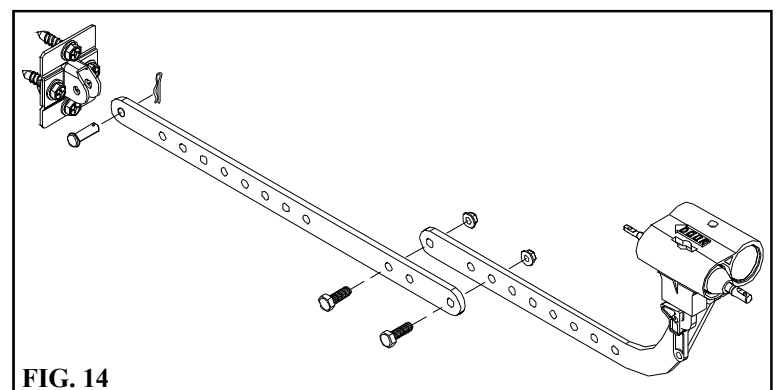
Note: As various types of door exist, reinforcement has to be added to the line door where necessary if in doubt about the strength of the door. Damage will occur to the door panel if the bracket is installed incorrectly on a panel with insufficient strength. The door opener warranty will not cover damage caused by Opener to door and/or door panel.



### STEP 14

Assemble bent and straight arm with screws, plain and spring washer and nuts supplied in accessory pack. (FIG. 14) Then connect assembled arm to the door bracket and the trolley by clevis pin and spring clip. Trolley must be in disengage position. Always use the bend & straight arm.

If installing on a door with bad wave action, lengthening the arm even further will assist the door operation by reducing the wave action.



### STEP 15 – SETTING UP OF LIMITS

1. Plug the drive unit power cord into mains power point and switch power on.
2. Check that the door is in the closed position. If not **close it by hand**.
3. Set lever on the trolley to engage position. (FIG 4)

**NOTE:** Initially door will not be moving until chain index engages itself into the shuttle.

4. Depress open green button 11 and hold it on until the door reaches the open position. (FIG. 15)

**WARNING: Obstruction detection (safety reversing system) is inoperable when open drive and close drive buttons are used.**

When the doors desirable open position is reached, release button and door will stop. Turn open limit adjustment screw 9 in anti clockwise direction till green light indicator 12 comes on. (FIG. 15)

5. Depress close red button 3 and hold it on till the door reaches the desirable close position, then release the button and the door will stop. Turn the limit adjust screw 8 in clockwise direction till the red indicator 4 comes on. (FIG. 15).

- 6 Now to check the limits set, press the open green button 11 to open the door and the close red button 3 to close the door. (Do not use the open/close/stop button)

If not fully satisfied, turn the close or open limit adjustment screws 8 and 9 in desirable direction. As a reference 1/8 of a turn of limit adjust screw changes travel of trolley by 10 mm when 9 teeth sprocket is used and 8 mm when 7 teeth sprocket is used. For selection of sprockets see Step 2.

### STEP 16 - SETTING OF OPEN AND CLOSE SAFETY OBSTRUCTION FORCE.

The safety obstruction force is calculated automatically and set in the memory of the Securalift. This applies to both the Open Force and Close Force..

**WARNING: When step 16.1 is initiated the Garage Door will do a full open and close cycle automatically. Please keep door way clear to avoid any personal injury or damage to property**

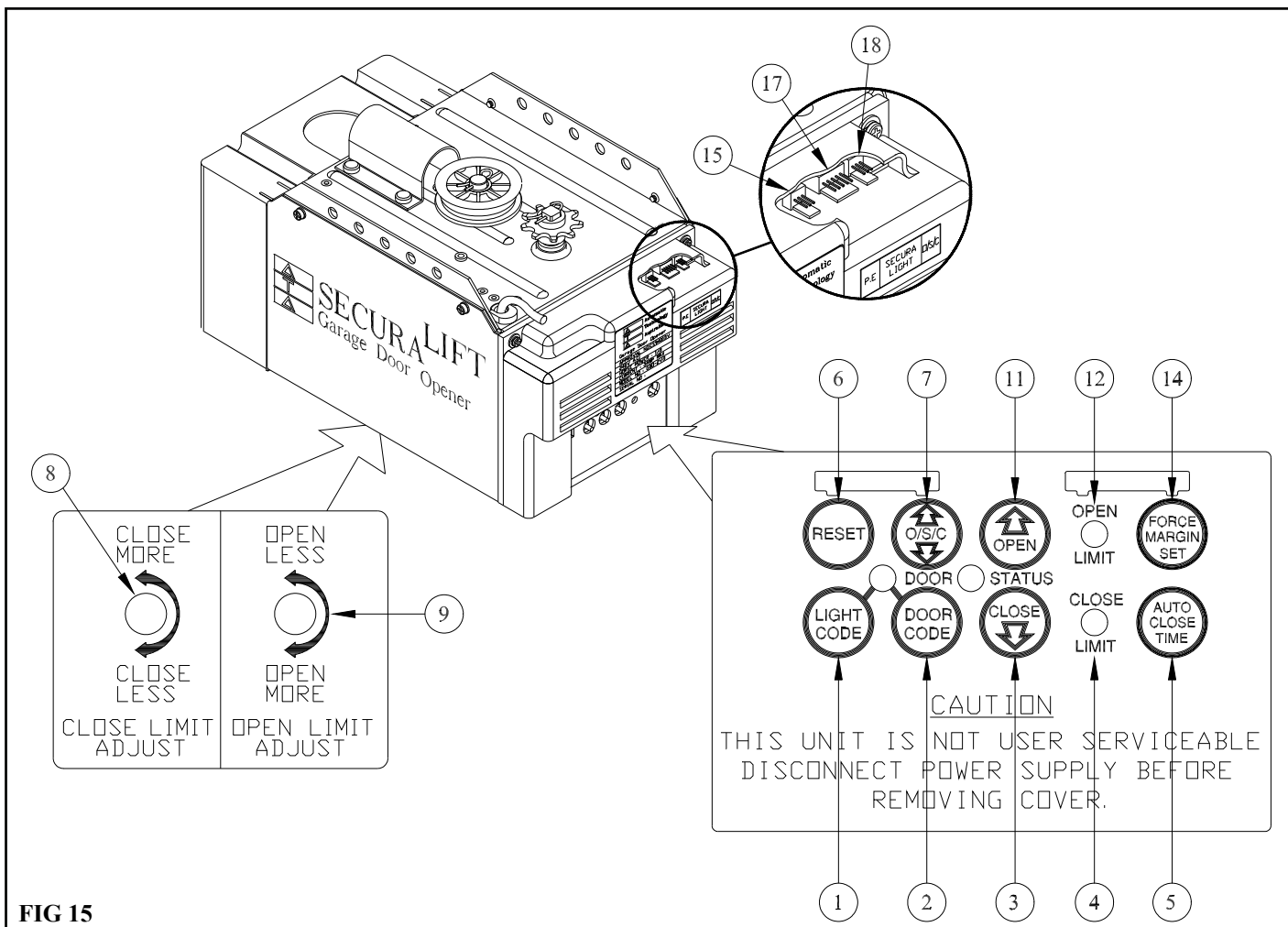


FIG 15

### 16.1 TO INITIALISE OBSTRUCTION FORCE

1. Press and hold down the close button 3 (FIG. 16), to move the door to the fully closed position. Check that the RED LED 4 is steady ON, to confirm the door is set on the closed limit position
2. Press the Reset button 6 (FIG. 16) for two seconds, the door should start opening. As soon as the door reach's the fully open position it will pause momentarily then start to close.

**The door has to do a full open and close cycle with no interruptions for the safety obstruction parameters to be calculated and set automatically.**

A default safety force pressure margin is preset in the factory. Under normal operating conditions this default margin should not be changed. If you are unhappy with the pressure you can change as below.

### 16.2 TO INCREASE FORCE PRESSURE

1. Press and hold the Force Margin Set button 14 (FIG. 16a).
2. While holding down button 14 press the green Open button 11. The green LED will illuminate each time the green open button is pressed, to indicate that the force pressure is being increased. If the green LED flashes continuously when the open button is being pressed, this indicates that the maximum force pressure setting has being reached.

### 16.3 TO DECREASE FORCE PRESSURE

1. Press and hold the Force Margin Set button 14 (FIG. 16b).
2. While holding down button 14 press the red Close button 3. The red LED will illuminate each time the red Close button is pressed, to indicate that the force pressure is being reduced. When the red LED flashes continuously when the red close button is being pressed, this indicates that the minimum force pressure setting has being reached.

### 16.4 TO RECALL FACTORY SET FORCE

1. While holding down the Force Margin Set button 14 press the RESET button 6 for two seconds.
2. Release both buttons. The default setting should now be recalled.

### IMPORTANT NOTE:

**Whenever the Limit Adjustment Screws are adjusted the safety obstruction force has to be re-initialised because the door travel distance may have changed. To re-initialise please follow STEP 16.1 above.**

**Note The remote control function is enabled after this safety step 16.1 is completed properly**

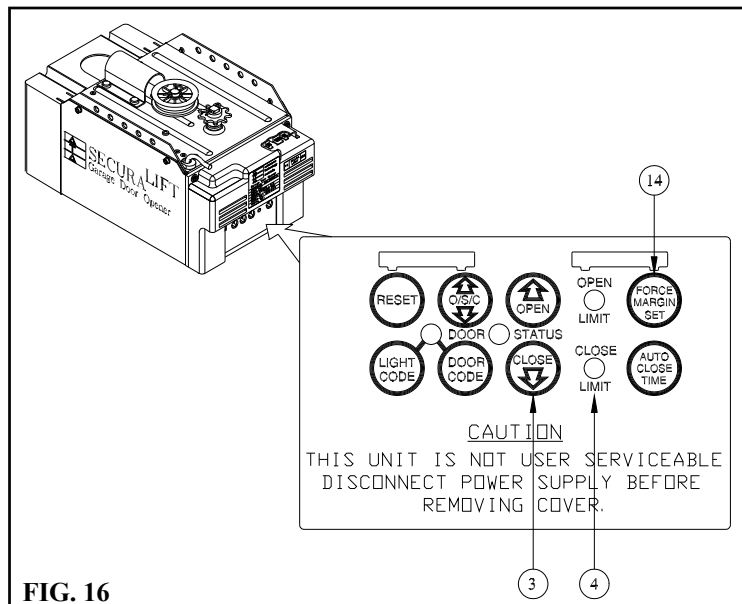


FIG. 16

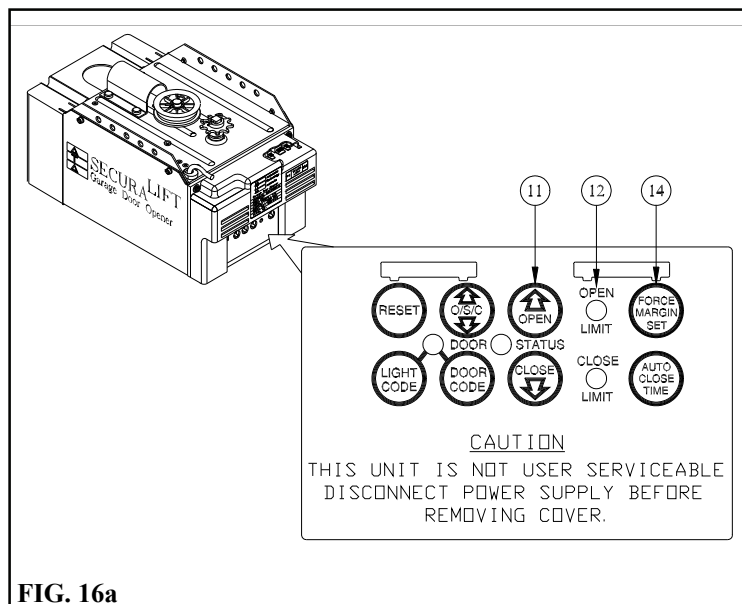


FIG. 16a

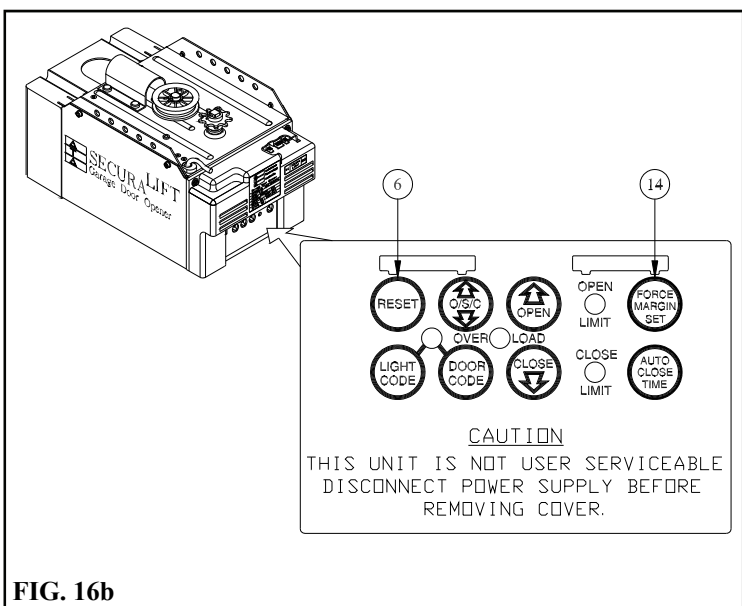


FIG. 16b

## 16.5 CLOSE SAFETY OBSTRUCTION TEST.

The door now must be tested for response to an obstruction while it is opening and closing. Press the yellow button with the door in the open position, the door should start closing. When the door reaches half the closing distance hold the bottom of the door with your hands. If the door does not reverse open easily the force may be excessive and need adjusting.

**IMPORTANT :** If the door is unable to reverse when obstructed discontinue use. Do not use the door with a inoperative obstruction sensing. Repair fault and test before using.

## STEP 17 SETTING TRANSMITTERS CODES INTO DOOR OPENER

The Remote Transmitters and Wall Mount Transmitters can be programmed into the Door Opener as below. Make sure to connect the battery to the Transmitter. The memory in the Opener's receiver can store up to 27 different remote control transmitters.

### STEP 17.1 STORING THE TRANSMITTERS CODE

1. Press and hold the blue Door Code button on the Control Panel button 2. (FIG. 17)
2. Press the button (one of four) on the Transmitter you would like to use to control the door for approximately two seconds, (FIG. 17) Pause for two seconds. Press the same button again on the Transmitter for approximately two seconds.
3. Release the blue Door Code button 2.
4. Press the Transmitter button to see if it operates the door. If you wish you can code in all four buttons on the Transmitter so all four can operate the same door

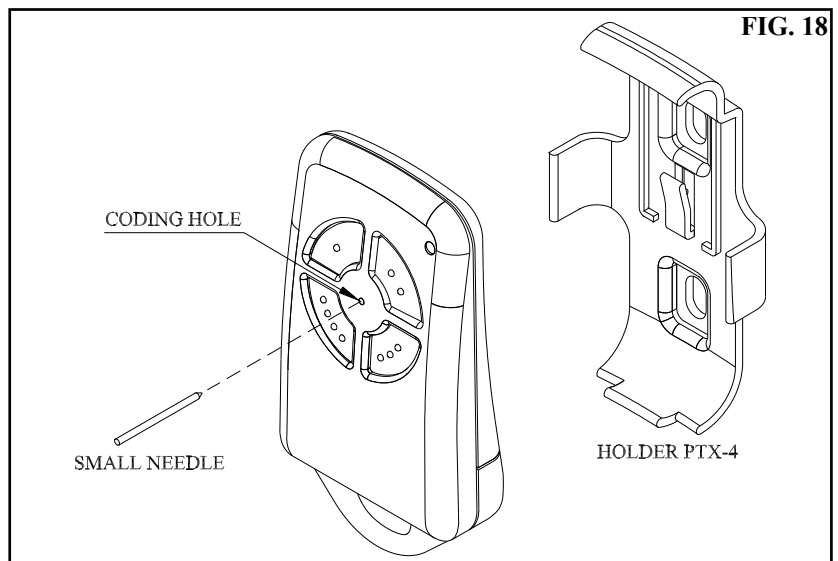
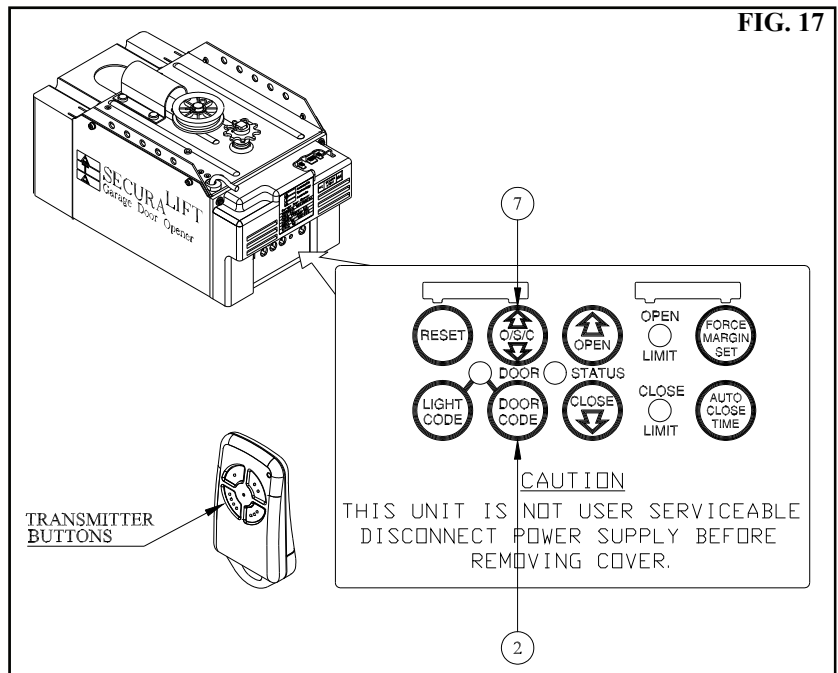
### 17.2 STORING ADDITIONAL TRANSMITTER (S) FROM A REMOTE LOCATION

Using this method you don't need to have access to the control panel on the Door Opener. However, you do need a transmitter that is pre coded to the controller's receiver.

**IMPORTANT NOTE:** The Door must be activated when the steps below are preformed. The moving Door is to confirm from a remote location that the correct button was pressed and the transmitter is in range of the opener of a pre coded Transmitter.

1. Take any pre coded Transmitter. Press the button for the function you require until the door is activated and release.
2. Then using a small paper clip press and hold firmly for 2 seconds through the Coding Hole (FIG. 18)
3. Within 10 seconds take the additional transmitter you wish to code and follow STEP 17.1 para 2, as above

**IMPORTANT NOTICE:** PLEASE EXTEND ANTENNA TO ITS MAXIMUM LENGTH. DO NOT LEAVE COILED. DO NOT CUT ANTENNA WIRE. AND KEEP IT FROM TOUCHING ANY METAL. IF THIS NOTICE IS NOT FOLLOWED RANGE WILL BE REDUCED.





### STEP 17.3 STORING TRANSMITTER CODE TO OPERATE THE COURTESY LIGHT

The Transmitter can be programmed to operate the Courtesy Light on the Door Opener.

1. Press and hold Light Code button 1 on the Control Panel (FIG. 20).
2. Press the button on the Transmitter you would like to use to control the light for approximately two seconds, Pause for two seconds. Press the same button again on the Transmitter for approximately two seconds.
3. Release the Light Code button 1.
4. Press the Transmitter button to see if it operates the light.

### STEP 18 DELETING PROGRAMMED CODES

#### 18.1 DELETING A STORED TRANSMITTER CODE

1. Select the transmitter you want to delete.
2. Press and hold the blue Door Code button 2 (FIG. 21) on the Control Panel.
3. Press the Transmitter button you would like to delete for two seconds. Pause for two seconds. Press the Transmitter button again for two seconds.
4. Release the blue Door Code button 2. The code should now be deleted. Confirm this by pressing the transmitter button to see if it can operate the door. The door should not respond.

#### 18.2 DELETING ALL STORED TRANSMITTER CODES

1. Turn the Power Off to the Drive Unit.
2. Press and hold the blue Door Code button 2 (FIG. 18) on the Control panel.
3. Turn the Power On again, while holding the Blue Door Code button until the Coding LED illuminates. Release the blue Door Code button 2. All the stored codes including the Courtesy Light Codes should now be deleted. Confirm this by trying to operate the door by pressing one of the deleted transmitters.

### STEP 19 SETTING OF COURTESY LIGHT TIME

The preset courtesy light time on the Door Opener is 3 minutes. This time can be changed as below.

1. Press in together and hold the Auto Close Time button 5 and Force Margin Set button 14. (FIG. 19)
2. While holding in the two buttons, press the green Open button 11. (FIG. 19) Each press of this button will add 10 seconds to the light time.
3. To decrease the time follow step 1 and press the red Close button 3. (FIG. 19) Each press will deduct 10 seconds from the light time.
4. To recall the factory set default light time press in and hold together the Auto Close Time button 5, the Force Margin Set button 14 and the Reset button 6 for about 2 seconds. (FIG. 22)

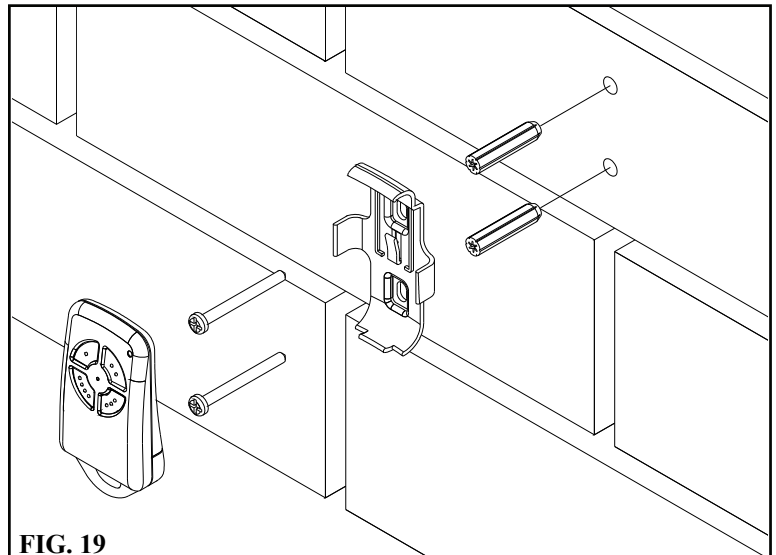


FIG. 19

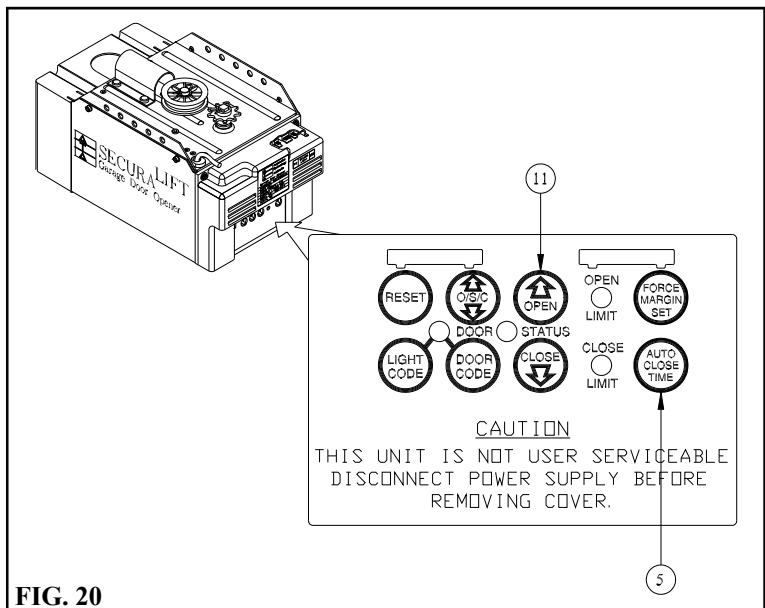


FIG. 20

## STEP 20. FITTING OF SAFETY PHOTO ELECTRIC BEAM (OPTIONAL)

Locate the Photo Electric Beam (P.E.) normally closed contact type in a strategic location within doorway. Remove shunt from P.E. connector (FIG. 22a) and connect the plug from the P.E. wiring harness to P.E. connector 15 (FIG. 22b). Follow the wiring diagram supplied with the P.E. for wiring of the P.E.

**WARNING; When using auto close and P.E. beams, the doorway must be clear of all obstructions and persons at all times. The location of the beam and manner in which it is installed might not give safety protection at all times. Check to make sure that the height of the beam and type used give maximum protection possible.**

## STEP 21. SETTING OF AUTO CLOSE TIME

**IMPORTANT NOTICE: IT IS COMPULSORY TO INSTALL A PHOTO ELECTRIC BEAM BEFORE USING THE AUTO CLOSE MODE.**

The Auto Close timer will only start after the Photo Electric Beams (P.E.) path is broken and the auto close time has been set. If the P.E. path is not broken the door will remain open till the path is broken. If the Door Opener incurs an obstruction (not from the P.E.) while closing the door will re-open and not auto close. After the setting of the auto close mode, whenever the door is in the open position the open limit green LED will flash to indicate that the auto close mode is in operation.

### SETTING AUTO CLOSE TIME

1. Press in and hold the Auto Close Time button 5 (FIG. 23)
2. While holding in the Auto Close Time button, press the green Open button 11 (FIG. 23). Each press of this button will add 5 seconds to the preset autoclose time of '0' seconds.
3. To decrease the time follow step 1 and press the red Close button 3. Each press will deduct 5 seconds from the auto close time.
4. Press the O/S/C button 7 (FIG. 23) or Transmitter to open the door. While the door is opening break the path of the P.E. Beam, this will initialise the auto close mode. When the door reaches the fully opened position, the door will pause for the set auto close time and start to auto close.

## STEP 22 INSTALLATION OF WALL MOUNTED TRANSMITTER HOLDER

1. Mount the holder in a location out of reach of children and convenient to the customer. (FIG. 19)
2. The transmitter can be easily clipped in and removed from the holder anytime.
3. To set the transmitter codes refer to Step 8.

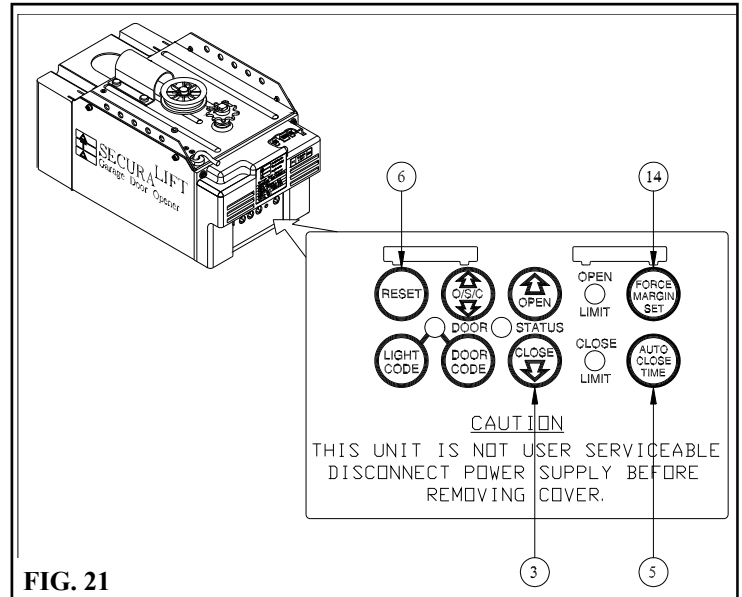


FIG. 21

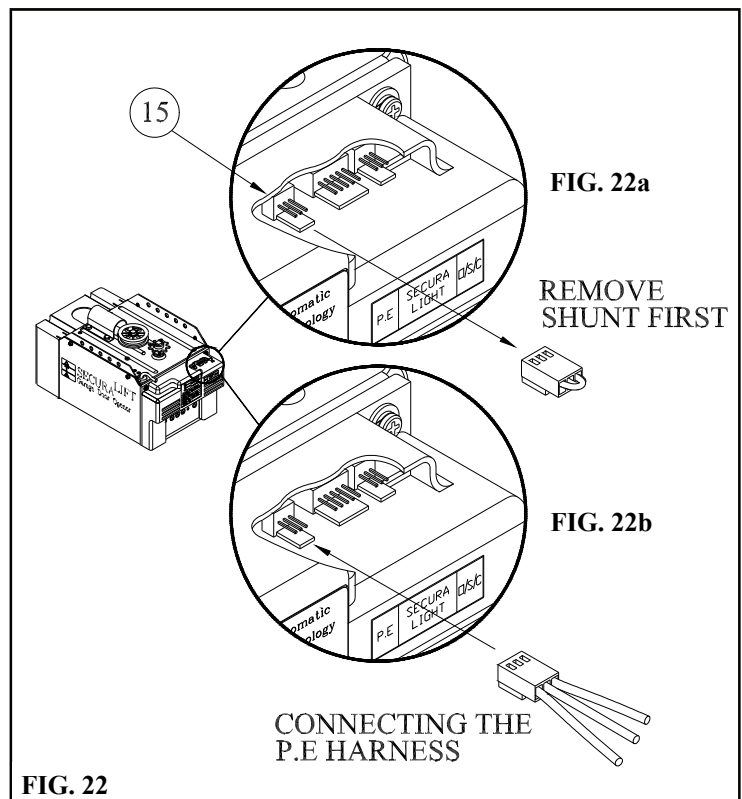


FIG. 22

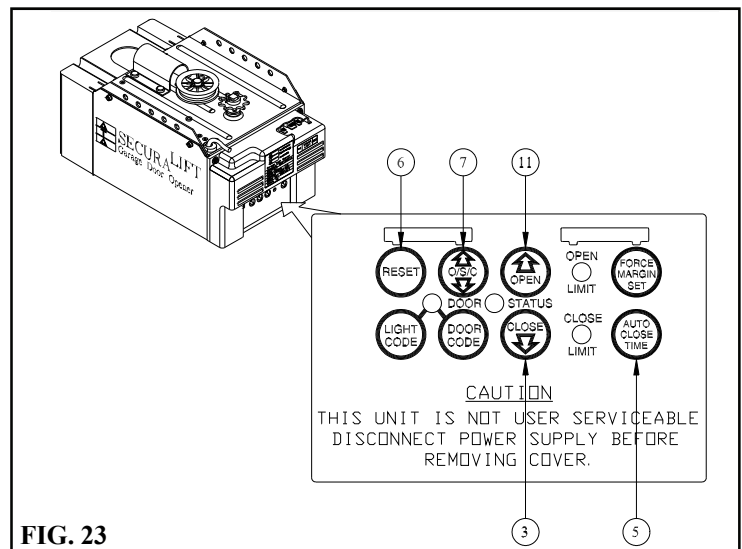
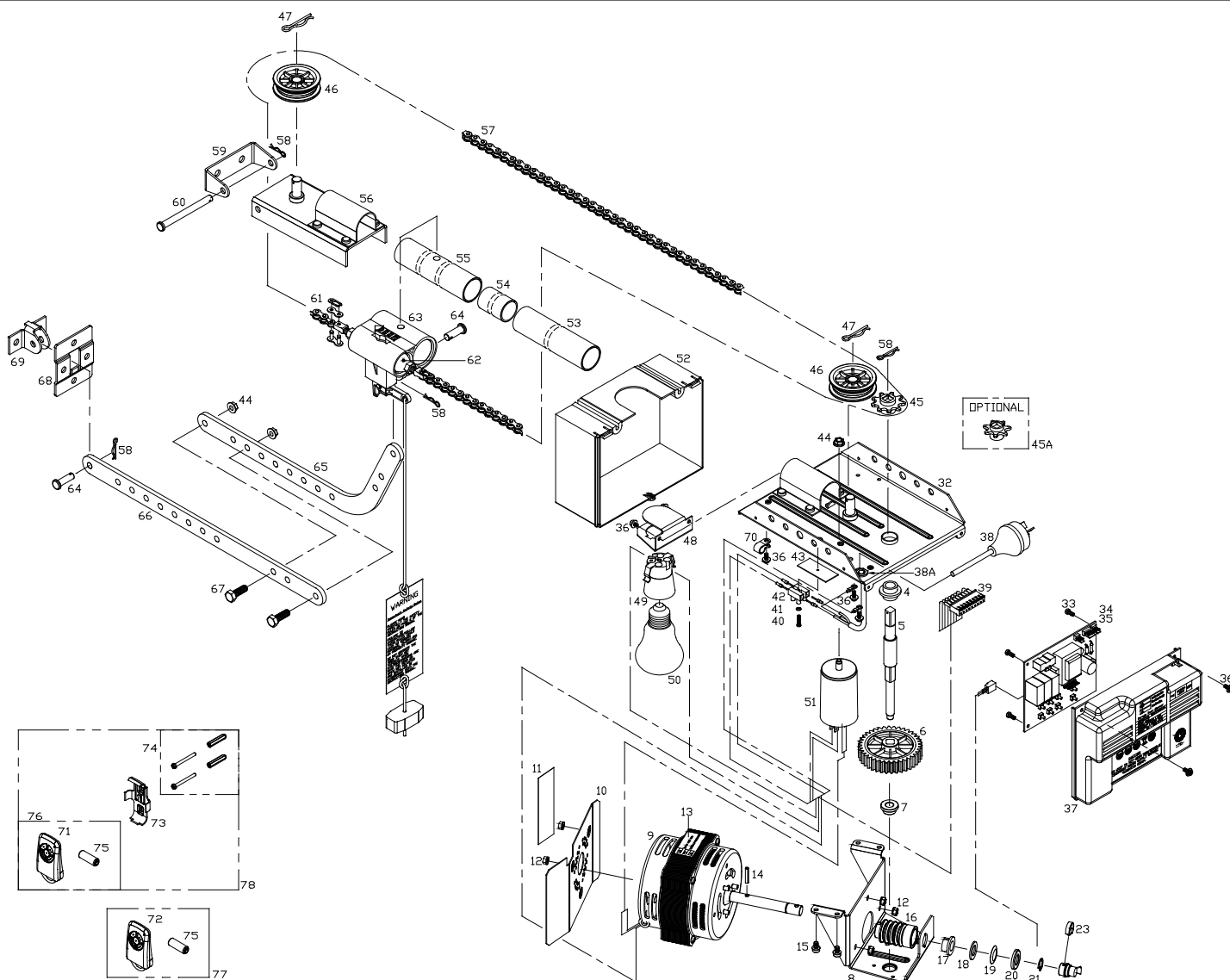


FIG. 23

# PARTS LIST



ITEM	DESCRIPTION	ORDER CODE
42	TERMINAL BLOCK 500/02DS 2 PDS	05421
41	INT. TOOTH LOCK WASHER I.D 3	11150
40	PAN HD. SCREW M3x14	01360
39	HARNES ASSY CB-8 V2	14440
38A	CORD GRIP GRDMET SB-6R-3	05600
38	POWER CORD 1.5M W/2PIN + 1 RING	14150
37	BOARD HOUSING CX ASSY GDD-2 V5	01583
36	PAN HD. SCREW W/WASHER M4x10	10340
35	CONTRDL BOARD CB-8 V-6.01	00775
34	BOARD SHIELD	14050
33	TAPTITE SCREW *P* M4x8	10580
32	BASE PLATE CX ASSY	02151
31	LIMITS CONTRL ASSY	00252
30	ADJUSTMENT SCREW	13851
29	LIMITS HOUSING	13881
28	LIMITS NUT	14401
27	HOLDER SWITCH CX - RIGHT (U)	13887
26	HOLDER SWITCH CX - LEFT (D)	13884
25	MINIATURE MIC. SWITCH AV 38444619	09280
24	MICROSWTICH CX HARNES	14280
23	CHOPPER CLIP	04960
22	CHOPPER WHEEL	04950
21	EXTERNAL CIRCLIP D1500 0100	10798
20	CUP WASHER	11162
19	WAVE WASHER M6.5 - M9017	12390
18	THRUST WASHER NTA 815	14300
17	BUSH 127 17	04270
16	WDRM 2520 2S	04931
15	PAN HD. SCREW W/WASHER M5x10	10281
14	SEL - LDK SPRING PIN ACP M4x20	02590
13	LABEL - THERMALLY PROTECTED	13620
12	HEX NUT W/INT TOOTH WASHER M5	10881
11	LABEL 240V 60 WATT GDD-2	13630
10	PROTECTION COVER	13790
9	MOTDR A.C. M6 0.24 KW	14422
8	MOTDR BRACKET	13772
7	BUSH ID 10x10	04290
6	HELICAL GEAR	04941
5	DRIVE SHAFT 16127	04540
4	BUSH 127 ID 18	04261
3	TAPTITE SCREW *P* BLACK M3.5x6	10542
2	PAN HD. SCREW W/WASHER M4x8	10320
1	COVER ASSY V4	01597

ITEM	DESCRIPTION	ORDER CODE
78	REMOTE WALL SWITCH PACK PTX-4UHF	01230
77	KEY RING TRANSMITTER GB PTX-4	01200
76	KEY RING TRANSMITTER RB PTX-4	01201
75	ALKALINE BATTERY A23 12V	13030
74	PLASTIC WALL PLUG PACK	10672
73	PTX HOLDER	05196
72	TRANSMITTER GB PTX-4	01210
71	TRANSMITTER RB PTX-4	01211
70	CABLE CLAMP ACC - 1.5 (3/16")	11750
69	DDOR BRACKET LOCATOR	02915
68	DDOR BRACKET	02511
67	HEX. HD. SCREW M8x25	10110
66	STRAIGHT ARM	02790
65	BENT ARM	02800
64	CLEVIS PIN Ø8	02550
63	SHUTTLE ASSY	00272
62	CHAIN INDEX CX ASSY	01452
61	CHAIN JOINT LINK	02950
60	PIN	05790
59	WALL BRACKET GDD-2	13780
58	SNAP PIN SSP 8 ZNU 31080	10720
57	CHAIN 1/2"x1/8" (495 LINKS) W/2CL	03000
56	SUPPORT PIPE CX ASSY	00292
55	TUBE - INDEX 338A	13810
54	TUBE - INSERT 2970	13830
53	TUBE - 338	13800
52	LIGHT DIFFUSER	13900
51	CAPACITDR MOTDR 15.0 UF 440V AC	14400
50	GLOBE 250V 60 WATT	14120
49	LAMB HOLDER ZE 204	14270
48	LIGHT BRACKET 13870	13870
47	SNAP PIN SSP 12 ZNU 31160	10730
46	CHAIN IDLE WHEEL	02962
45A	SPROCKET 7T SQ	04680
45	SPROCKET 9T SQ	04690
44	HEX. SERRATION FLANGE NUT M8	10148
43	TERMINAL BLOCK SHIELD	14055

ITEM	DESCRIPTION	ORDER CODE
42	TERMINAL BLOCK 500/02DS 2 PDS	05421
41	INT. TOOTH LOCK WASHER I.D 3	11150
40	PAN HD. SCREW M3x14	01360
39	HARNES ASSY CB-8 V2	14440
38A	CORD GRIP GRDMET SB-6R-3	05600
38	POWER CORD 1.5M W/2PIN + 1 RING	14150
37	BOARD HOUSING CX ASSY GDD-2 V5	01583
36	PAN HD. SCREW W/WASHER M4x10	10340
35	CONTRDL BOARD CB-8 V-6.01	00775
34	BOARD SHIELD	14050
33	TAPTITE SCREW *P* M4x8	10580
32	BASE PLATE CX ASSY	02151
31	LIMITS CONTRL ASSY	00252
30	ADJUSTMENT SCREW	13851
29	LIMITS HOUSING	13881
28	LIMITS NUT	14401
27	HOLDER SWITCH CX - RIGHT (U)	13887
26	HOLDER SWITCH CX - LEFT (D)	13884
25	MINIATURE MIC. SWITCH AV 38444619	09280
24	MICROSWTICH CX HARNES	14280
23	CHOPPER CLIP	04960
22	CHOPPER WHEEL	04950
21	EXTERNAL CIRCLIP D1500 0100	10798
20	CUP WASHER	11162
19	WAVE WASHER M6.5 - M9017	12390
18	THRUST WASHER NTA 815	14300
17	BUSH 127 17	04270
16	WDRM 2520 2S	04931
15	PAN HD. SCREW W/WASHER M5x10	10281
14	SEL - LDK SPRING PIN ACP M4x20	02590
13	LABEL - THERMALLY PROTECTED	13620
12	HEX NUT W/INT TOOTH WASHER M5	10881
11	LABEL 240V 60 WATT GDD-2	13630
10	PROTECTION COVER	13790
9	MOTDR A.C. M6 0.24 KW	14422
8	MOTDR BRACKET	13772
7	BUSH ID 10x10	04290
6	HELICAL GEAR	04941
5	DRIVE SHAFT 16127	04540
4	BUSH 127 ID 18	04261
3	TAPTITE SCREW *P* BLACK M3.5x6	10542
2	PAN HD. SCREW W/WASHER M4x8	10320
1	COVER ASSY V4	01597



## DOOR STATUS INDICATORS.

DOOR OPENER STATE	OPEN LED GREEN	CLOSE LED RED	SERVICE LED YELLOW	COURTESY LIGHT	BEEPER
OPEN	On				
CLOSE		On			
OPENING	Flashing				
CLOSING		Flashing			
DOOR TRAVEL STOPPED	Flashing	Flashing			
DOOR OBSTRUCTED WHEN OPENING	Flashing				Beeps on and off
DOOR OBSTRUCTED WHEN CLOSING		Flashing			Beeps on and off
DOOR OVERLOADED				Flashes ten times	Beeps on and off
DOOR AND OPENER REQUIRE A SERVICE			Flashing		Beeps at the start of any cycle
DOOR AND OPENER APPROACHING OVERLOAD					Beeps for the duration of the time approaching overload
DOOR HAS APPROACHED OVERLOAD THREE TIMES IN EIGHT CYCLES			On		Beeps at the start of any cycle
DOOR IN OPEN POSITION WITH AUTO CLOSE MODE SELECTED	One second flashes				
MAINS POWER INTERRUPTED TO OPENER	Rapid flashes				

## TECHNICAL SPECIFICATIONS

<b>INPUT VOLTAGE:</b>	230 V / 240 V AC 50 Hz	
<b>OPENER PUSHING / PULLING FORCE</b>	300 N	
<b>RECEIVER TYPE</b>	UHF 433.92 MHz AM Receiver Receiver Code Capacity	27 X 4 Transmitter Codes
<b>TRANSMITTER</b>	Frequency Coding Type Number of Code Combinations Code Generation Battery Voltage	433.92 MHz Hopping Code Over 4.29 Billion Hopping Codes Non-linear Encryption Algorithm 12 Volts

## FACTORY SET DEFAULTS

	DEFAULT	STEP	MAXIMUM
<b>MAXIMUM MOTOR RUN TIME</b>	<b>30 Sec.</b>	—	—
<b>COURTESY LIGHT TIME</b>	<b>3 Min.</b>	<b>10 Sec.</b>	<b>10 Min.</b>
<b>OBSTRUCTION FORCE MARGIN</b>	<b>4</b>	<b>1</b>	<b>16</b>
<b>AUTO CLOSE TIME</b>	<b>0 Sec</b>	<b>5 Sec.</b>	<b>4 Min.</b>

## FAULTS AND REMEDIES

SYMPTOMS	POSSIBLE CAUSES	REMEDY
* Door will not operate	*Main power not turned on *Door is obstructed	*Turn on *Remove obstruction
*Door is locked or motor jammed		*Unlock door and Inspect door and re-move jam
*Door will not reverse when obstructed	*Door needs to be re-initialised	Fully close the door and press the Reset button (refer installation instruction step 16.4)
*Door moves downwards and reverses itself upwards	Adverse weather conditions (wind or cold) causing door to stiffen and become tight in tracks. There could be an obstruction in door way.	Increase the force pressure and / or re-initialise the door (refer installation instruction step 16)
*Door operates from drive unit but not from hand transmitter	*Indicator on transmitter not lighting *Code not store in controlled receiver *Drive unit antenna wire not extended *Antenna touching something metal *Battery flat *Radio interference	*Battery flat or battery lead broken *Refer to installation instructions step 17 *Extend antenna wire *Reposition antenna *Replace battery *Return operator to place of purchase for frequency upgrade (charges apply)
*Door does not close fully	*Limit micro switch incorrectly adjusted	*Re-adjust limit switch (refer installation instruction – step 15)
*Door does not open fully	*Limit micro switch incorrectly adjusted	*Re-adjust limit switch (refer installation instruction – step 15)
*Lights malfunction	*Globe blown	*Replace globe. Replace with Edison type 240V 60W reinforced construction globe only
*Globes keep blowing	*Incorrect globe	*Replace globe. Replace with Edison type 240V 60W reinforced construction globe only

### IMPORTANT NOTICE – MAINTENANCE INFORMATION

**YOUR GARAGE DOOR OPENER SHOULD BE SERVICED BY AN EXPERIENCED SERVICE PERSON. THE MOVING PARTS (WORM DRIVE ETC.) NEED TO BE LUBRICATED WITH HIGH PRESSURE GREASE EVERY 12 MONTHS AND OTHER CRITICAL ADJUSTMENTS (REVERSING SENSITIVITY, LIMITS ADJUSTMENTS ,ETC) CHECKED AND ADJUSTED WHEN REQUIRED AS PER THE INSTALLATION MANUAL**

## **\*\* WARRANTY AND EXCLUSION OF LIABILITY \*\***

*Subject to all of the matter set out below, Automatic Technology Australia Pty Ltd ("ATA") WARRANTS for twenty four months from the date of purchase (specified in the receipt sales docket) that the Garage Door Opener System contained in the accompanying packaging (the "Product") is free of any defects in material and workmanship rendering it unmerchantable.*

*This warranty referred to above applied only where:*

- a) the consumer seeking to rely on the said warranty;*
  - 1) returns the Product which it claims to be defective; and*
  - 2) presents the relevant sales docket and this warranty document,*

*To the retailer from whom the Product was purchased to confirm that date of purchase; and*

- b) the purchaser notified ATA or the retailer from whom the Product was purchased of the alleged defect in the Product immediately upon experience or learning of the alleged defect.*

*Except for the warranty against defects in material and workmanship set out above, ATA gives no warranties of any kind whatsoever, whether express or implied or whether statutory or at common law, in relation to the Product, and all warranties of fitness for particular purpose and other warranties of whatsoever kind relating to the Product are hereby disclaimed. Without limiting the generality of the foregoing, ATA disclaims any liability of whatsoever nature in respect of any claim or demand loss or damage which arise out of;*

- A) accidental damage to or normal wear and tear to the Product or to the Product's components;*
- B) flood, fire or lighting;*
- C) incorrect, improper or unreasonable maintenance and/or use;*
- D) installation, adjustment or use other than by ATA which is not in accordance with the instructions set out in installation instruction incorporated in the document;*
- E) attempted or complete modification or repairs to the Product carried out by a person who is not authorised by ATA to carry out such modification or repairs;*
- F) faulty or unsuitable wiring of structure to which the Product is fixed or connected; and*
- G) radio (including citizen band transmission) or any electronic interference.*
- H) blown fuses or damage caused by electrical surges.*
- I) water damage and / or moisture damage.*
- J) damage caused by insects.*

*ATA's liability under the warranty set out above is limited, at ATA's absolute option, to replacing or repairing the Product which ATA, in its unfettered opinion, considers to be defective either in material and/or workmanship or to credit the consumer with the price at which the Product was purchased by the consumer.*

*Where the Product is retailed by any person other than ATA, except for the warranty set out above, such person has no authority from ATA to give any warranty or guarantee on ATA's behalf in addition to the warranty set out above.*

### **AUTOMATIC TECHNOLOGY AUSTRALIA PTY LTD**

ABN 11 007 125 368

17-19 ADVANTAGE Rd, Highett, Victoria, Australia , 3190

Ph: 61+ (03) 9532 2788 Fax: 61+ (03) 9532 2799

**E-mail:** Support: [support@ata-aust.com.au](mailto:support@ata-aust.com.au) Sales: [sales@ata-aust.com.au](mailto:sales@ata-aust.com.au)