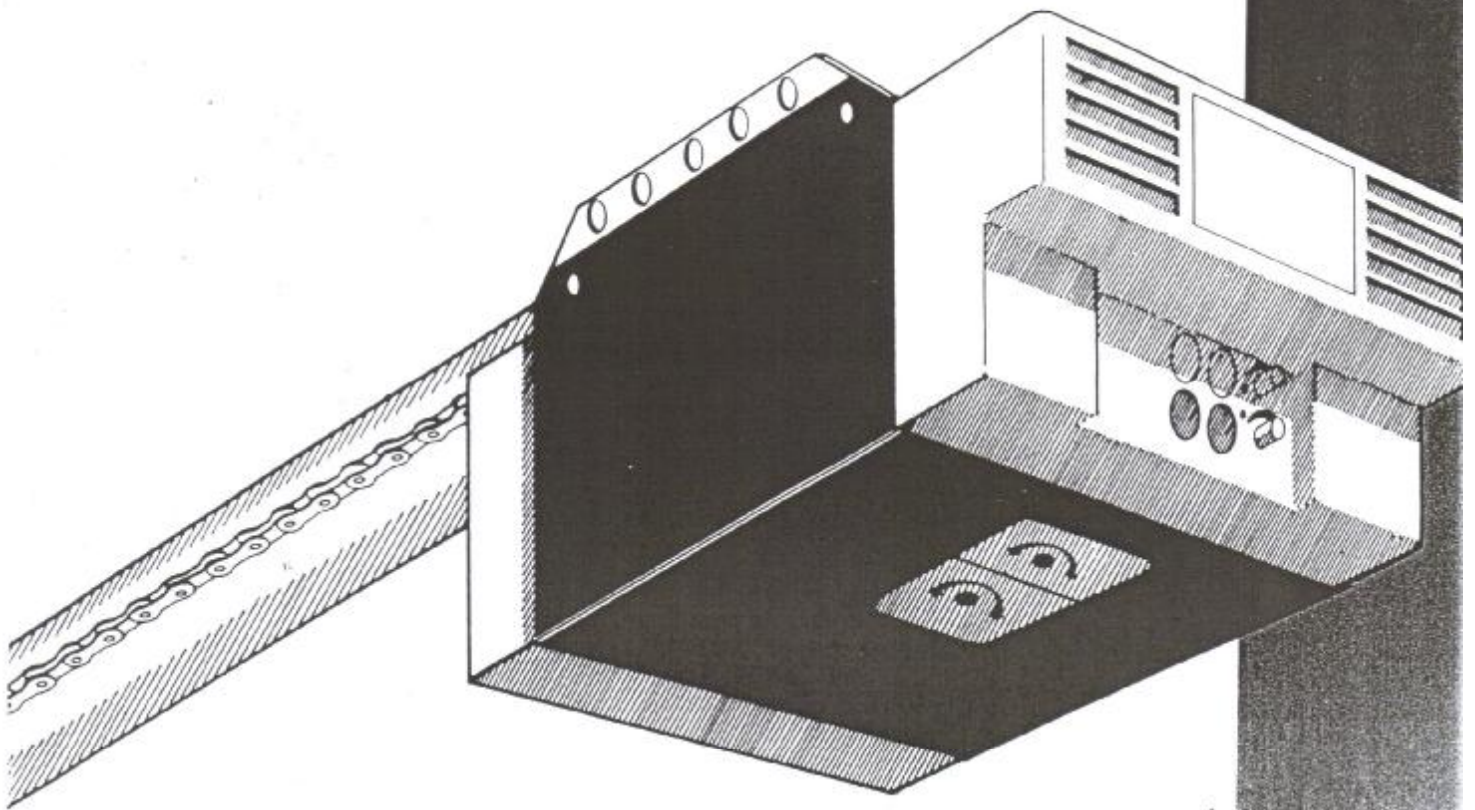


# **GARAGE DOOR OPENER SYSTEM**



**OWNERS COPY**

Installation Instructions  
and Owners Manual

Warning : failure to comply with the  
installation instructions and the safety  
warnings may result in serious personal  
injury and/or property damage



Automatic  
Technology  
Australia

# PLEASE READ THESE IMPORTANT SAFETY RULES

Failure to comply with the following Safety Rules may result in serious personal injury and/or property damage.



**DO NOT** operate the Garage Door Operator unless the Garage Door is in full view and free from objects such as cars and children/people. **SERIOUS PERSONAL INJURY** and/or property damage can result from failure to follow this warning.



**DO NOT** operate the Garage Door Operator when **CHILDREN/PERSONS** are near the door. Children must be supervised near the Garage Door at all times and when the Garage Door is in use. **SERIOUS PERSONAL INJURY** and/or property damage can result from failure to follow this warning.



**DO NOT** allow children to operate the Garage Door Operator. **SERIOUS PERSONAL INJURY** and/or property damage can result from failure to follow this warning.



Make sure that the **REVERSING SENSITIVITY** is adjusted correctly on installation so that the door reverses to the open position when obstructed with **MINIMUM PRESSURE** and stops on opening cycle when obstructed with **MINIMUM PRESSURE**. Failure to adjust this setting properly and in accordance with the Installation Instructions could result in **SERIOUS PERSONAL INJURY** and/or property damage. This test must be repeated at regular intervals and the necessary adjustments made if required.



**DO NOT** disengage the Garage Door Operator to manual operation with children/persons or any other objects including motor vehicles within the doorway.



Install wall switch in a **LOCATION/POSITION** out of reach of children at all times and where the Garage Door is visible.



For **ADDITIONAL SAFETY** protection we **STRONGLY** recommend the fitting of a photo electric beam.



The Garage Door must be well balanced. Sticking or binding doors must be repaired by an experienced service Garage Door Installer prior to operator installation. **DO NOT** attempt to repair the door yourself as the hardware is under extreme pressure and can cause **SERIOUS PERSONAL INJURY** and/or property damage.



**REMOVE OR DISENGAGE** all Garage Door locks prior to installation or the Garage Door Operator.



Connect the Operator to a properly **EARTHED** general purpose 240V outlet installed by a qualified Electrician.



**DISCONNECT** the **POWERCORD** from the mains before making any repairs or removing the covers! Only **EXPERIENCED** Service Personal can remove the covers from the operator.



Keep hands and any loose clothing well **CLEAR** of the Door and Garage Door Operator at all times.



When using the Auto Close mode a **PHOTO ELECTRIC BEAM** must be correctly fitted and tested for operation at regular intervals. **EXTREME CAUTION** is recommended when using the Auto Close mode. All the **SAFETY RULES** must be followed.



In order for the Garage Door Operator to **SENSE** an object obstructing the doorway, some **FORCE** must be exerted on the object. As a result the object may suffer some **DAMAGE**, the extent of which is dependant on the force adjustments set during installation.

Automatic Technology Australia Pty. Ltd. to the extent that such may be lawfully excluded hereby expressly disclaims all conditions or warranties statutory or otherwise which may be implied by law as conditions or warranties or purchase of any Automatic Technology Australia Lift-Up-Door Operators and Automatic Technology Australia Pty. Ltd. hereby further expressly excluded all or any liability for any injury, damage, cost, expense or claim whatsoever suffered by any person as a result whether directly or indirectly from failure

Limits are Pre-set in factory. DO NOT operate the drive unit before installation is completed as per following instructions.

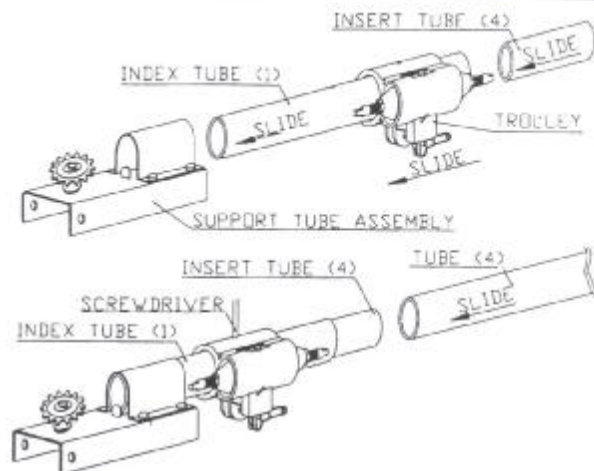
FAILURE TO COMPLY WITH THE INSTALLATION INSTRUCTIONS MAY RESULT IN SERIOUS PERSONAL INJURY AND/OR PROPERTY DAMAGE.

## Track Assembly

### STEP 1

Slide trolley assembly onto index tube (one piece only) and insert screwdriver or clevis pin to hold it on tube and slide it into support tube assembly. Arrow on trolley must point towards support tube assembly. To assemble rest of tubes, always slide short insert tube half way into the long tube, then slide other tube into remaining insert tubes. Continue this process with remaining tubes until desired length is achieved.

FIG. 1



### STEP 2

Operator is supplied with 20 teeth Drive Sprocket on Drive Unit and 14 teeth Sprocket on Support Pipe Assembly. If the Operator is to be fitted to a J Type Tilt fitting Door, exchange 14 teeth Sprocket on Support Pipe Assembly with 20 teeth Sprocket on Drive Unit.

**IMPORTANT:** If using Track Type Door (often referred to as Panel Lift Door or Track Tilt Door) use only 20 teeth Drive Sprocket on Drive Unit. DO NOT use 14 teeth Sprocket on Drive Unit for any Track Type Door.

### STEP 3

Attach one end of chain (supplied) to trolley chain index screw, nearer to drive unit, using one joint link. (Fig. 3) Proceed to wrap chain around Drive Unit Sprocket on Pipe Assembly.

**NOTE:** Make certain that teeth of both Sprockets are engaged in the chain and that the chain is not twisted.

**NOTE:** If using less than 5 tubes supplied, chain can be shortened to correct required length.

FIG. 2

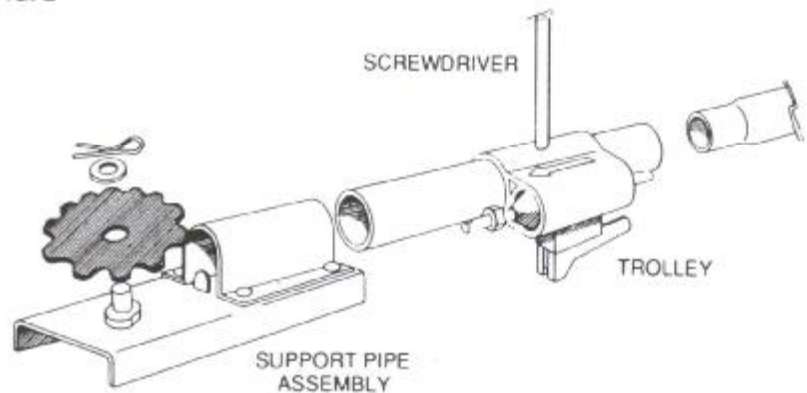


FIG. 3

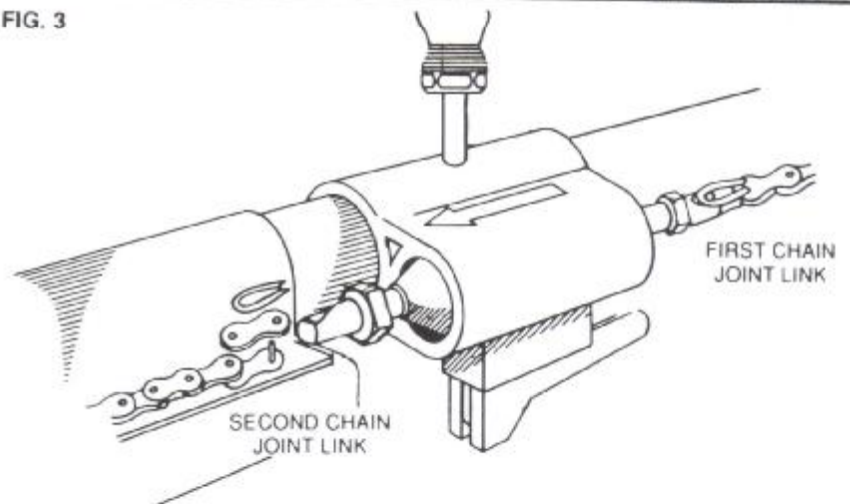


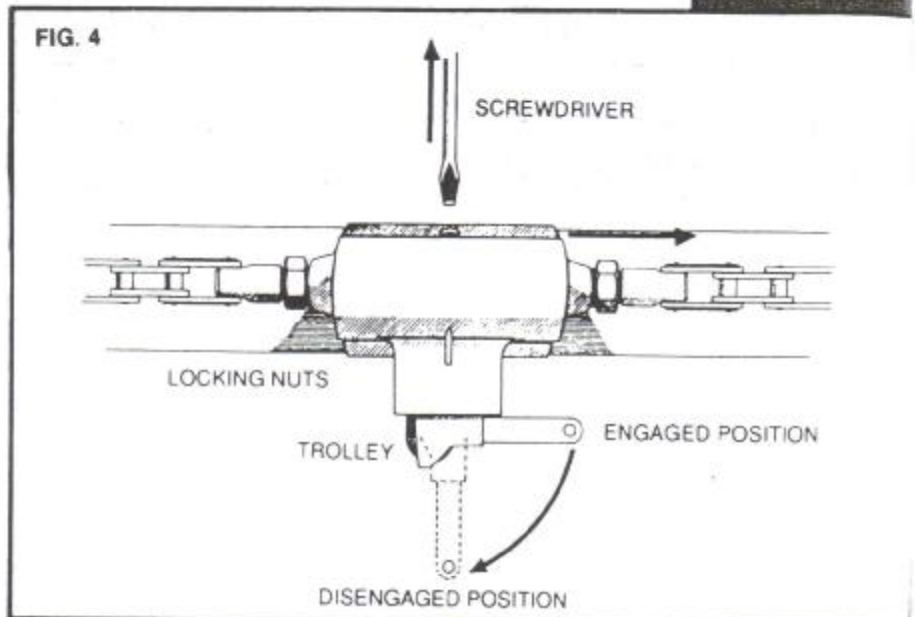
FIG. 3a



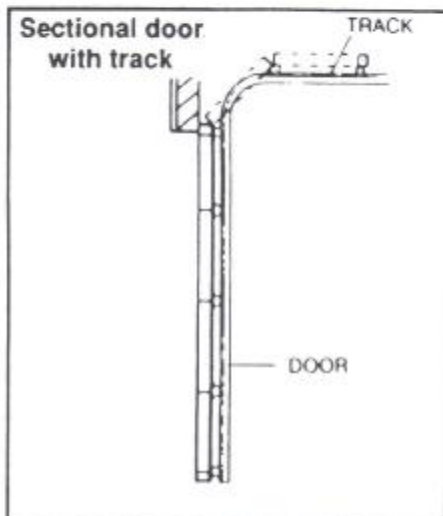
#### STEP 4

Remove locating screwdriver from trolley. Disengage trolley from chain index by swinging lever downwards (Fig. 4), then slide trolley away from chain index along pipe track.

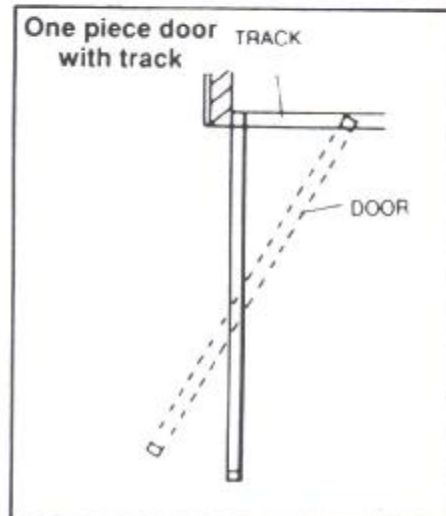
Loosen locking nuts on chain index screws. To tighten chain, turn chain index in anti-clockwise direction, looking from support pipe assembly to drive unit. Do not overtighten chain as it has to sag 6-12mm. Check before locking screw with locking nuts that chain is not twisted. When tension is finalised tighten lock nuts at both ends of chain index.



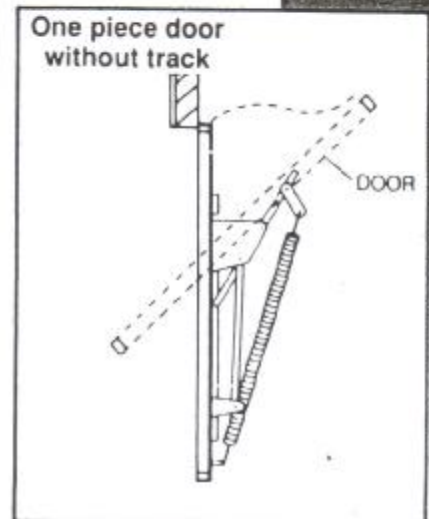
Determine which type of Garage Door you have as illustrated below.



Proceed from Step 5



Proceed from Step 5



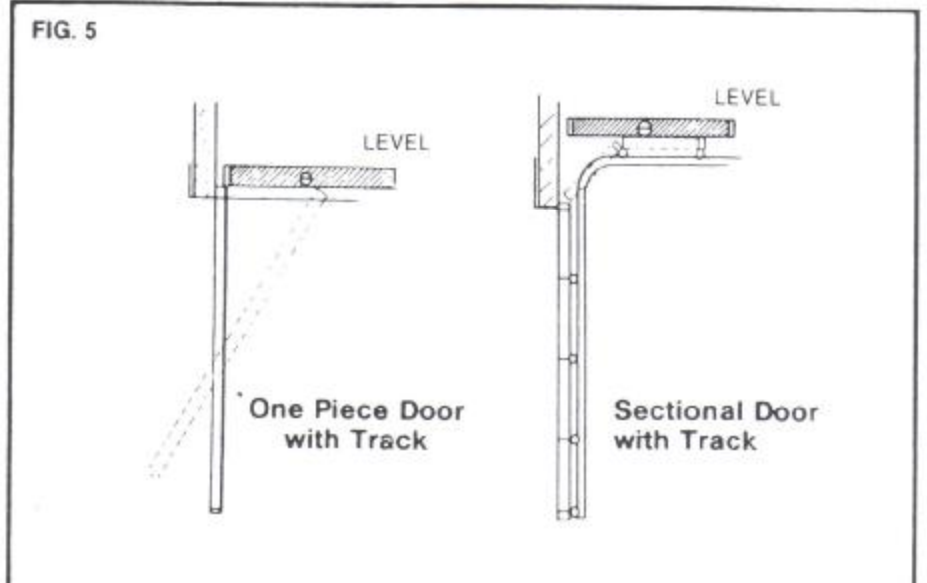
Proceed from Step 9

Mounting Operator - Sectional door/one piece door, with track.

#### STEP 5

Open the door and find the highest point of travel of the top door panel. Using a level, transfer this height to the wall above the floor (Fig. 5) and mark a line 60mm above it.

Determine the centre of the door and mark this location on the wall above and on top of the door. Then draw two (2) lines 21.5mm on each side of the door centre. (Fig. 6)



## STEP 6

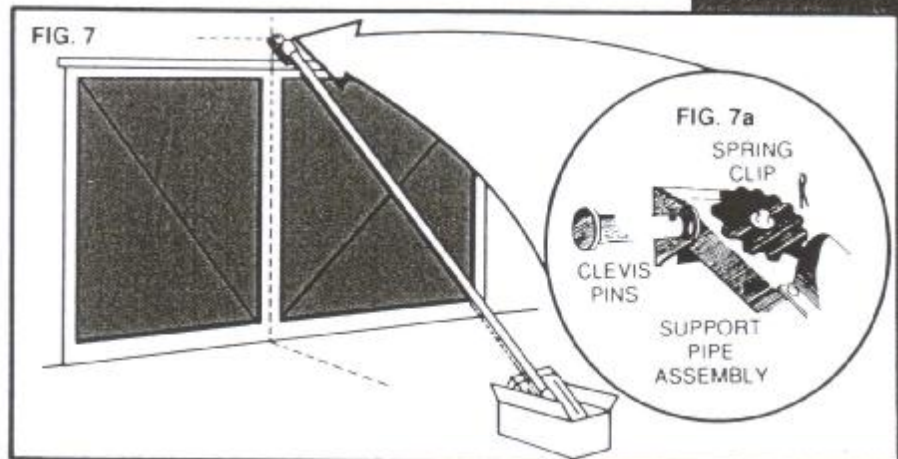
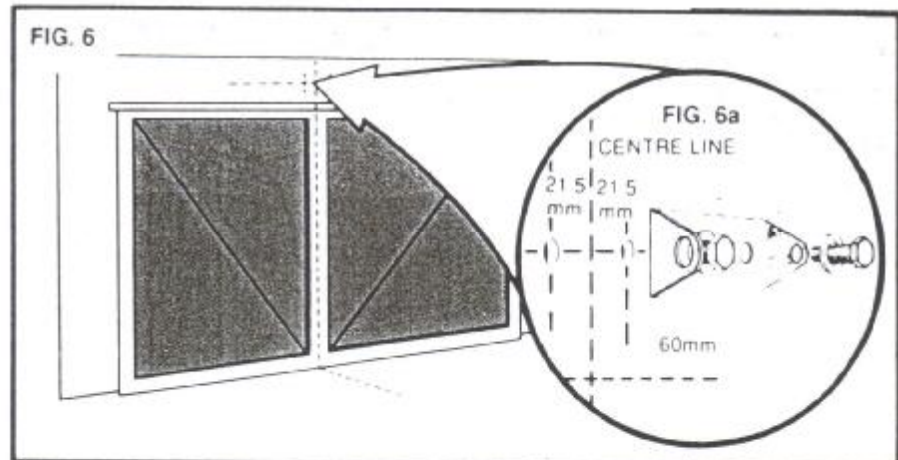
The intersection of lines 21.5mm from door centre and line 60mm above highest point of travel are centre points, where holes for mounting of wall bracket should be drilled. (Fig. 6a)

If wall bracket is mounted onto concrete or brick wall, use M8 or 5/16 loxins. If mounted onto wooden lintel or beam, use wood screws #20 or equivalent, minimum 50mm long.

**WARNING; Make sure concrete, brick wall or timber lintels are solid and sound so as to form a secure mounting platform.**

## STEP 7

When the wall bracket is firmly secured in its proper position, attach the support pipe assembly to wall bracket by 90mm long clevis pin and secure with spring clip, (Fig. 7 & 7a) leaving drive unit in its packing box for protection during installation.

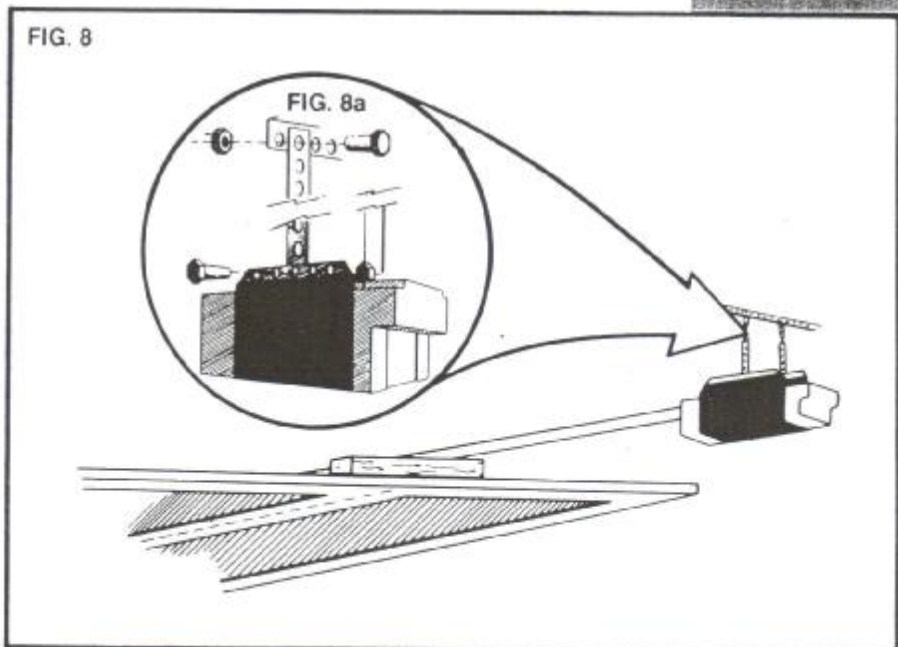


## STEP 8

Raise the drive end of the operator from the packing box and support it in a horizontal position with a step ladder, then open the garage door. Rest the operator on the open door and use a scrap piece of wood to bring it to horizontal level. Line up the track with the centre line on top of the door. (Fig. 8) Secure to the ceiling above drive unit mounting holes, with perforated angle (not supplied). A representative mounting is shown. (Refer Fig. 8a)

Connect angle and drive unit with 2 flat perforated strips of angle (not supplied) with M8 x 20mm screws, nuts and washers. Strips should not extend more than 18mm below centre of the drive unit mounting holes. (Fig. 8 & 8a)

**WARNING; The operator must be securely fastened to a structural support of the garage. Failure to fasten the operator correctly will lead to possible operator failure causing serious injury to persons/ and or property.**

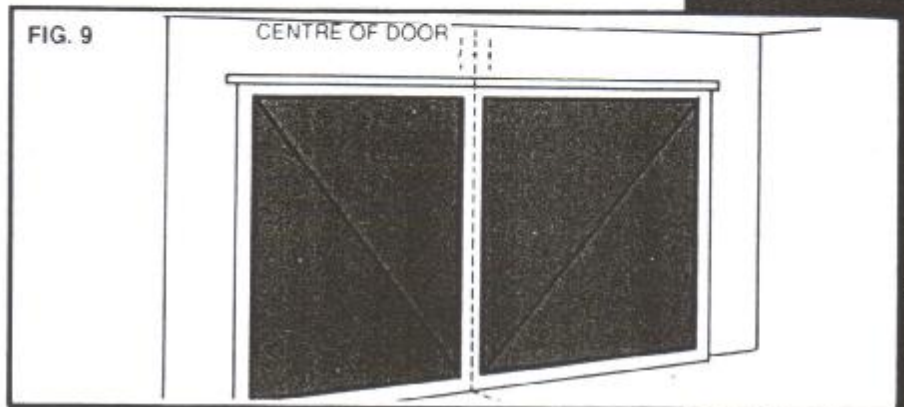


**GO TO STEP 13**

# Mounting Operator - One piece door without track.

## STEP 9

Determine the centre of the door and mark this location on the wall above and on top of the door. Then draw two (2) lines 21.5mm on each side of the door centre. (Fig.9)

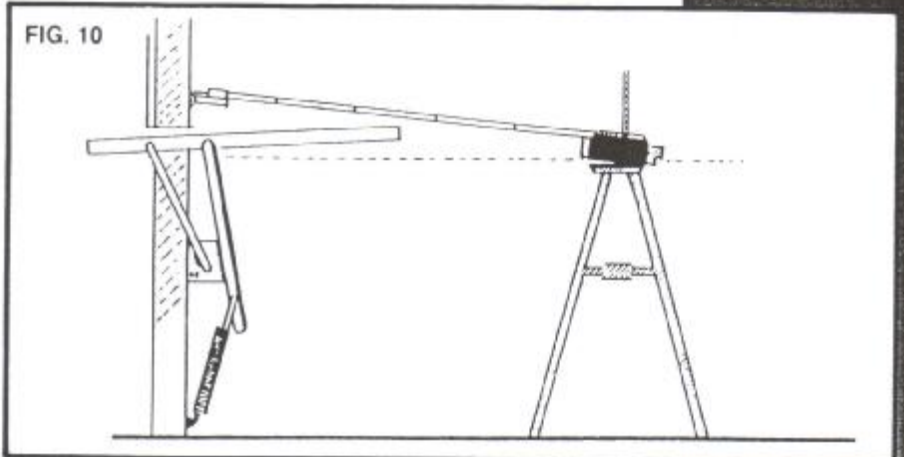


## STEP 10

Raise the door to open position. Rest the operator on the top edge of the door with end of the track against the header and drive unit supported in level with the lowest point of the open door. (Fig. 10)

**Note;** do not slide operator track on face of the door when it is open.

Attach the angle (not supplied) to the ceiling and connect angle and drive unit with two (2) flat perforated strips of angle (not supplied) with M8 x 20mm screws and nuts. Strips should not extend more than 18mm below centre of the mounting holes of the drive unit. Do not lock screws at this stage. (Fig. 10a)

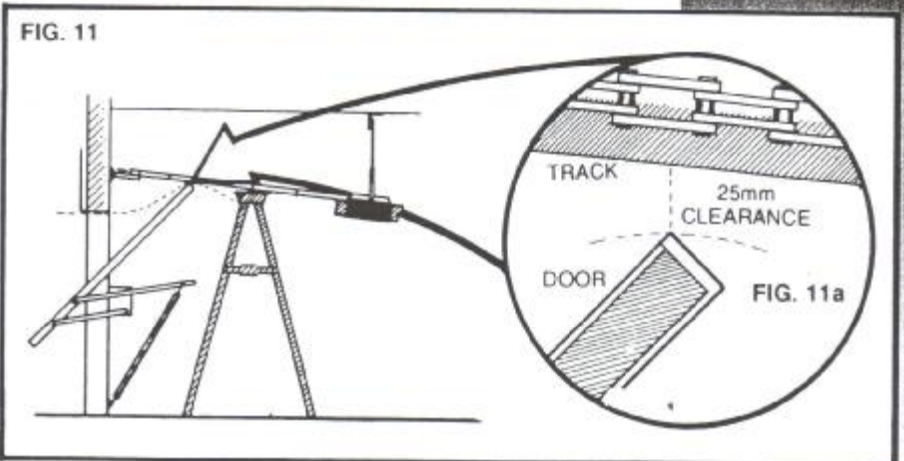


**WARNING;** Refer to warning as step 8.

## STEP 11

Close the door slowly. The operator track will be elevated by the top edge of the door as it moves. Stop the door when it is at its highest point of travel. (Fig. 11)

Allow 25mm additional height for clearance between the door and the track. Support track in this position and close the door. (Fig. 11a)



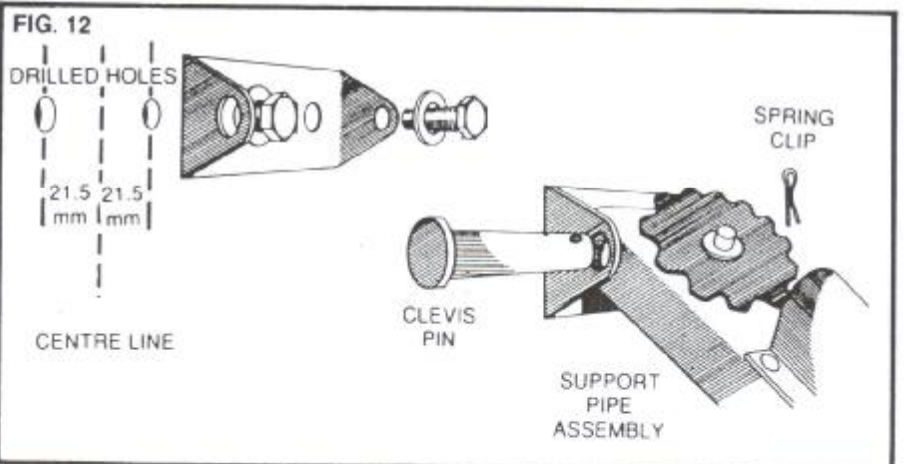
## STEP 12

Mark a line through the centre of the wall bracket onto the header (wall above the door).

Drill holes at intersection of the above line and lines 21.5mm from the centre line of the door. (see Step 6)

If wall bracket is mounted onto concrete or brick wall, use M8 or 5/16 loxins. If mounted onto wooden lintel or beam, use wood screws #20 or equivalent, minimum 50mm long.

Attach the wall bracket to the support pipe assembly with 90mm long clevis pin (Fig. 12) and secure by spring clip.

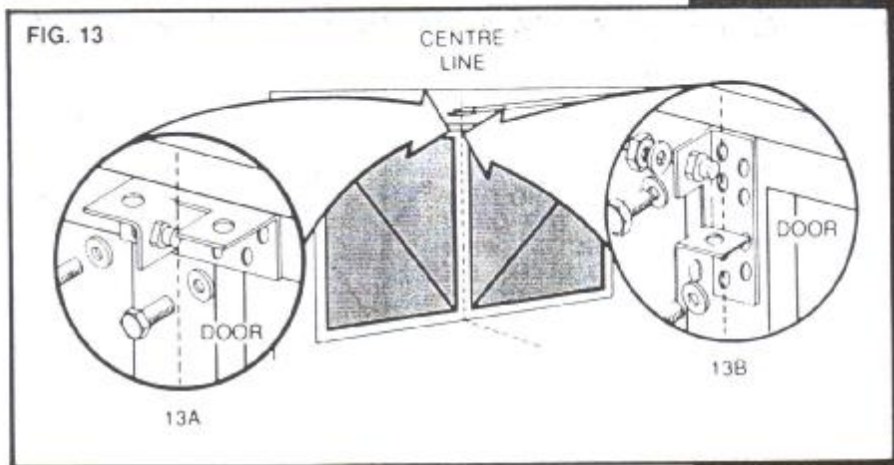


**WARNING;** Refer to warning as Step 6.

### STEP 13

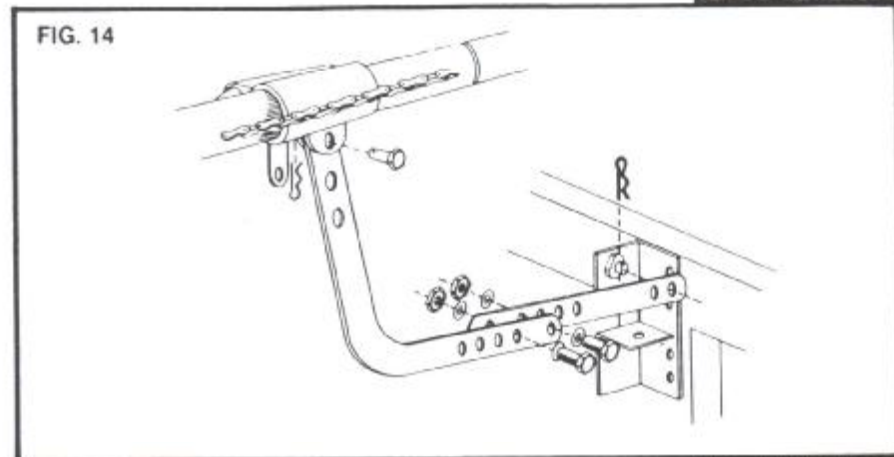
Secure the door clevis pin to the door bracket with supplied M8 nut, spring and plain washer (Fig. 13a & 13b). For mounting of the door bracket to the door use M6 or equivalent screws (not supplied), alternatively it can be welded on steel doors (Fig. 13). Inner row of door bracket holes should be located on centre line of door. The two representative mounting methods are shown (Refer Fig. 13a & 13b).

**Note;** as various types of doors exist, reinforcement has to be added to the door where necessary or if in doubt about the strength of the door.



### STEP 14

Assemble bent and straight arm with screws, plain and spring washers and nuts supplied in accessory pack. (Fig. 14) Then connect assembled arm to the door bracket and the trolley by clevis pin and spring clip. Trolley must be in disengaged position.



## Setting up of limits

### STEP 15

- Plug drive unit power cord into mains power point and switch power on.
- Check that the door is in closed position. If not, close it by hand.
- Set lever on the trolley to engage position. (see Fig. 4)
- Depress OPEN DRIVE (2) green button and hold it on until the door reaches the open position.

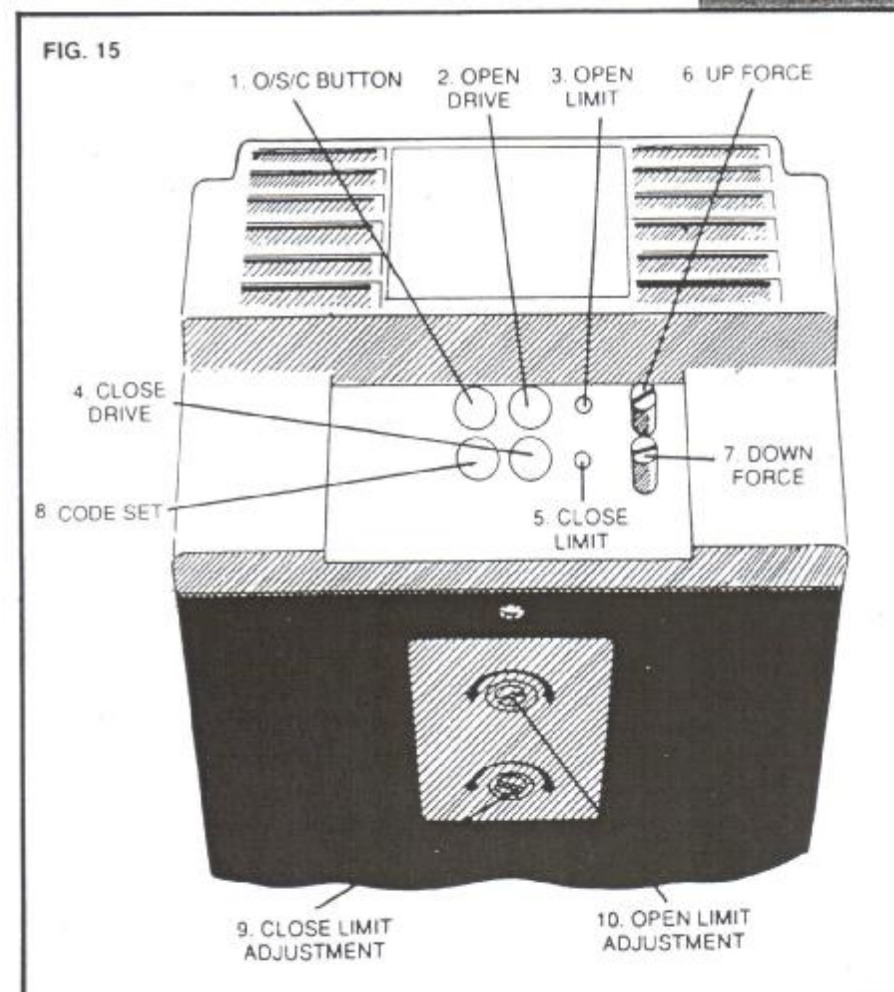
**WARNING;** Obstruction detection (Safety Reversing System) is inoperable when open drive and close drive buttons are used.

**Note;** initially door will not be moving till chain index engages itself into trolley.

When the door's desirable open position is reached, release button and door will stop. Turn open limit adjustment screw (10) in anti-clockwise direction till green light indicator (3) comes on. Depress CLOSE-DRIVE (4) red button and hold it on, till the door reaches desirable close position, then release the button the door will stop.

Turn the limit adjust screw (9) in clockwise direction, till red light indicator (5) comes on. Now to check limits set, depress O/S/C (1) button to open the door and again to close the door.

If not fully satisfied, turn close or open limit adjust screws in desirable direction. As a reference 1/8 of a turn of limit adjust screw changes travel of trolley by 9mm when 14 teeth sprocket is used and 12.7mm when 20 teeth sprocket is used. For selection of sprockets see



# Setting up of Up & Down Force

## STEP 16

**WARNING: MAKE SURE THAT THE REVERSING SENSITIVITY IS ADJUSTED CORRECTLY ON INSTALLATION SO THAT THE DOOR REVERSES TO THE OPEN POSITION WHEN OBSTRUCTED WITH MINIMUM PRESSURE AND STOPS ON OPENING CYCLE WHEN OBSTRUCTED WITH MINIMUM PRESSURE.**

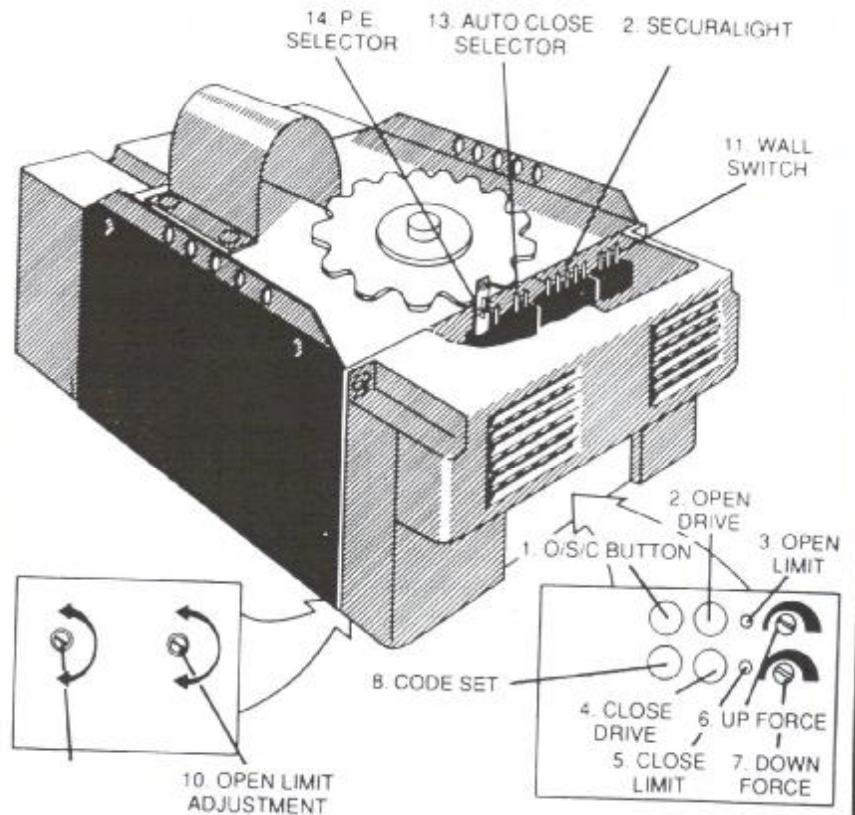
**FAILURE TO COMPLY WITH THIS SET UP PROCEDURE MAY RESULT IN SERIOUS PERSONAL INJURY AND/OR PROPERTY DAMAGE.**

a) Closing Force Adjustment (7) is for closing direction only. The reversing sensitivity is increased if knob is turned in anti-clockwise direction. Set the position of the knob so that the door reverses to the open position when obstructed WITH MINIMUM PRESSURE.

b) Opening Forces Adjustment (6) is for opening direction only. The stopping sensitivity is increased if the knob is turned in an anti-clockwise direction. Set the position of the knob so that the door stops when obstructed WITH MINIMUM PRESSURE.

**WARNING: ALL FORCE ADJUSTMENTS MUST BE SET CORRECTLY AND TESTED BEFORE LEAVING THE INSTALLATION AND MUST BE CHECKED PERIODICALLY. THE OPERATOR MUST NOT BE LEFT IN AN OPERABLE SITUATION IF THE FORCES ARE NOT SET CORRECTLY OR ARE INOPERATIVE.**

FIG. 16



# Setting of Receiver & Transmitter Codes

## STEP 17a Setting the transmitter's coding switches.

The transmitter's coding switches are located under the slide off battery cover. Using a pen or similar instrument, move the small switches so as to form a random looking pattern. For example switches 1,2,5,7,8,10 and 11 in the off position and 3,4,6,9 and 12 in the on position. The selected pattern is encoded by the transmitter and forms the transmitter's code.

## STEP 17b Matching the GDO-2's receiver to the transmitter's code.

Follow the simple procedure below to match the GDO-2's receiver to the transmitter's code.

1. Press and hold the CODE SET button on the GDO-2's control panel.
2. Press the transmitter's button for approximately two seconds.
3. Pause for at least one second.
4. Press the transmitter's button again for approximately seconds.
5. Release the CODE SET button.
6. Test the transmitter for operation.

NOTE 1: The transmitter's code can be deleted from the receiver's memory by repeating the procedure above.

NOTE 2: The receiver can store up to fifteen different transmitter codes.

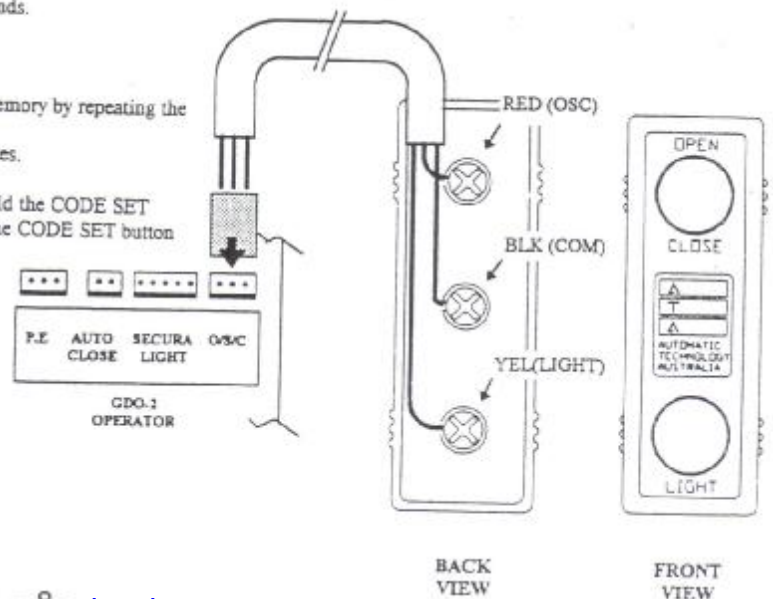
NOTE 3: To delete all transmitter codes in the receiver's memory, hold the CODE SET button down and turn the power on to the GDO-2, release the CODE SET button after approximately five seconds.

Replace STEP 18 in the manual with the following.

## Connecting Wall Switch

### STEP 18 Connecting the wall switch to the operator

Connect the RED, BLACK and YELLOW wires to the wall switch as shown in the figure. Plug the connector on the other end into the GDO-2'S O/S/C connector. Test operation of the OPEN/STOP/CLOSE and LIGHT switches

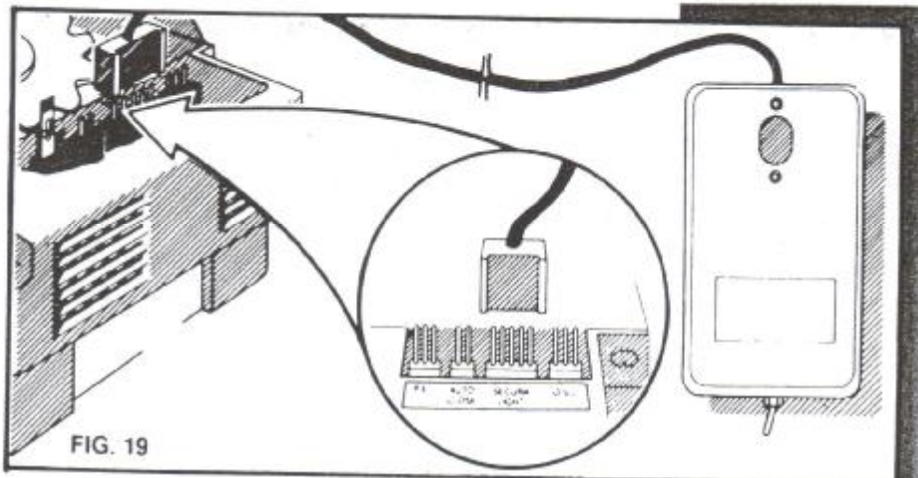




### STEP 19

Installing Securalight (optional)  
To fit Securalight, locate module in desirable position and affix to wall. Plug 5 pin receptacle into drive unit connector labelled Securalight (12).

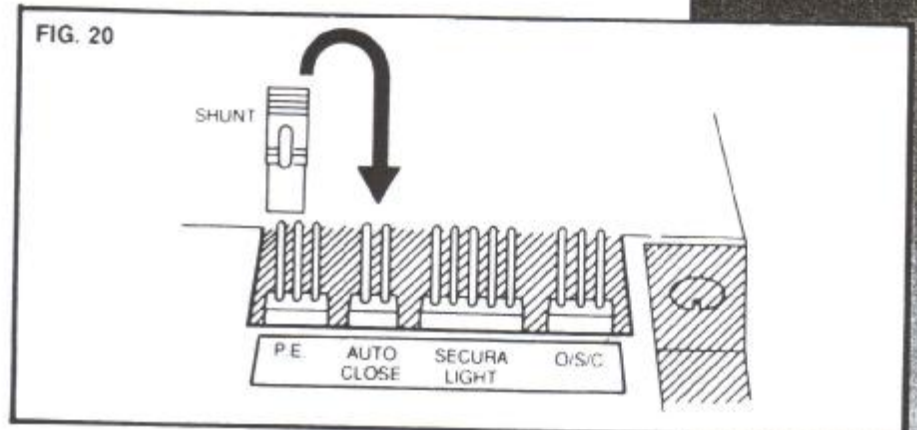
**WARNING;** Do not operate Securalight open/close button if Children/Persons and or property are near or around doorway.



### STEP 20

Auto-close (installer selectable with mandatory P.E. fitted) Your ATA operator is equipped with an auto close facility. If auto close is selected the door will close 30 seconds after opening. To select auto close remove shunt from P.E. connector and place on auto-close selector pins.

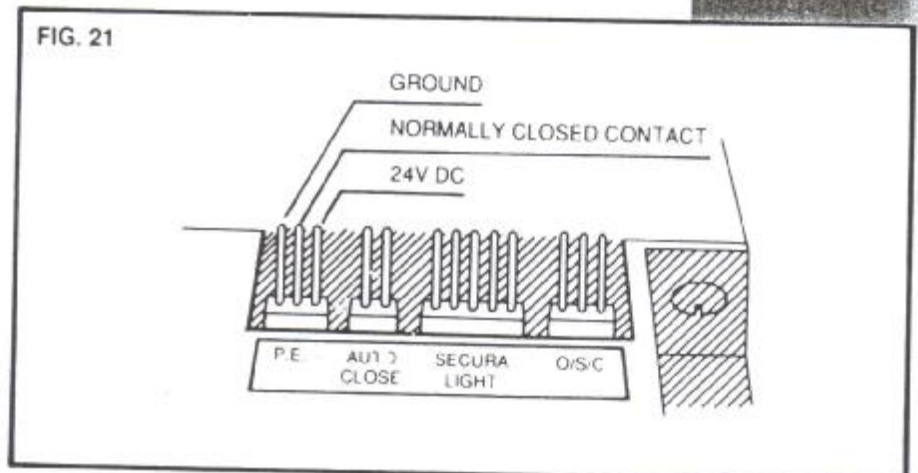
**WARNING;** When using auto close a photo electric beam must be connected to drive unit power head (see step 21.) Failure to fit and maintain P.E. beam could cause serious personal injury and/or property damage.



### STEP 21

P.E. beam.  
To fit P.E. beam locate (normally closed contact) P.E. beam detector in strategic location within doorway. Remove shunt from P.E. connector (if fitted) and connect P.E. wiring to P.E. connector. (Fig. 21)

**WARNING;** When using auto close and P.E. beams, the doorway must be clear of all obstructions and persons at all times. The location of the beam and the manner in which it is installed might not give safety protection at all times. Check to make sure that the height of the beam and type used give maximum protection possible.

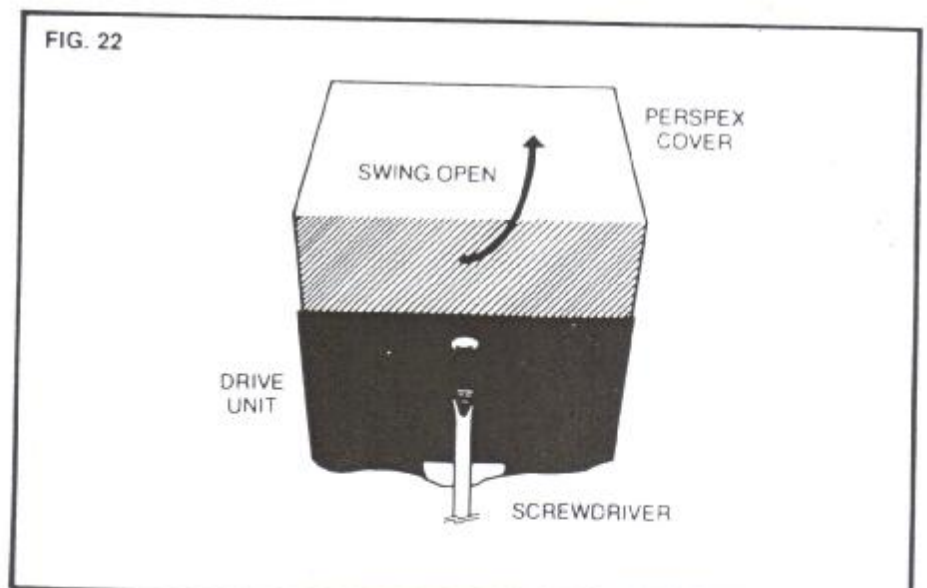


### STEP 22

Changing the light globe.  
To change the light globe remove the white perspex light cover by removing the screw on the bottom face of drive unit and with light force swing bottom of perspex cover towards door.

Unscrew light globe and screw replacement globe into holder. (reinforced construction only, Osram model #60 ESRCC or equivalent) Replace perspex cover and reinsert screw at bottom face of drive unit.

**Warning;** Disconnect power before removing perspex cover.



## IMPORTANT NOTICE - MAINTENANCE INFORMATION


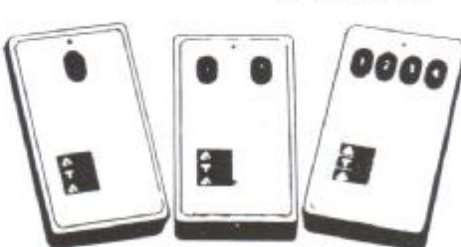
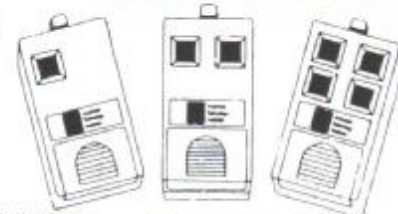
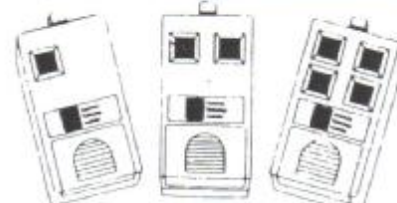



YOUR GARAGE DOOR OPENER SHOULD BE SERVICED BY AN EXPERIENCED SERVICE PERSON. THE MOVING PARTS (WORM DRIVE ETC.) NEED TO BE LUBRICATED WITH A HIGH PRESSURE GREASE EVERY 12 MONTHS AND OTHER CRITICAL ADJUSTMENTS CHECKED AND ADJUSTED WHEN REQUIRED AS PER THE INSTALLATION INSTRUCTION MANUAL.

## Drive Unit Controls and Description

1. **O/S/C BUTTON** OPEN, STOP, CLOSE BUTTON  
Button starts opening or closing of the door. If button is depressed during door movement, the door is stopped. Next depression will make the door travel in the opposite direction.
2. **OPEN DRIVE** Used in setting door's open position. When depressed the door is driven in the open direction. Movement stops when the button is released.  
NOTE: Obstruction detection is inoperable when open drive button is used to move door.
3. **OPEN LIMIT** GREEN INDICATOR LIGHT  
Light is on when open limit is set. Aid to set up open position.
4. **CLOSE DRIVE** Used in setting door's closed position. When depressed the door is driven in the closed direction. Movement stops when the button is released.  
NOTE: Obstruction detection is inoperable when open drive button is used to move door.
5. **CLOSE LIMIT** RED INDICATOR LIGHT  
Light is on when closed limit is set. Aid to set up close position.
6. **UP FORCE** Adjustment of force to open the door and sensitivity to stop when door is obstructed in opening direction.
7. **DOWN FORCE** Adjustment of force to close the door and sensitivity to automatically reverse direction of door movement when obstructed in closing direction.
8. **RECEIVER CODING** Display of receiver code (user selectable).
9. **CLOSE LIMIT ADJUSTMENT** Adjustment screw nearer to the door opening is used to set up, or adjust mechanical door limit in closed position.
10. **OPEN LIMIT ADJUSTMENT** Adjustment screw away from the door opening is used to set up or adjust mechanical door limit in the open position.
11. **WALL SWITCH** Provision for a wired remote open, stop, close button (see 1 for operation).
12. **SECURALIGHT** Connection of Securalight.
13. **AUTO CLOSE SELECTOR** If auto close is selected the door will close 30 seconds after opening. To select auto close, remove shunt on P.E. connector and place on Auto Close selector pins. NOTE: a P.E. Beam must be used when auto close is selected.

SYMPTOMS	POSSIBLE CAUSE	REMEDY
<input type="checkbox"/> Door will not operate	<input type="checkbox"/> Mainpower not turned on <input type="checkbox"/> Door is obstructed	<input type="checkbox"/> Turn on <input type="checkbox"/> Remove obstruction
<input type="checkbox"/> Door is locked or motor jammed		<input type="checkbox"/> Unlock door
<input type="checkbox"/> Door will not reverse	<input type="checkbox"/> Door reversing sensitivity not adjusted properly	<input type="checkbox"/> Re-adjust reversing sensitivity (refer installation instructions - Step 16)
<input type="checkbox"/> Door moves downwards and reverses itself upwards	<input type="checkbox"/> Door reversing sensitivity not adjusted properly	<input type="checkbox"/> Re-adjust reversing sensitivity (refer installation instructions - Step 16)
<input type="checkbox"/> Door operates from drive unit but not from hand transmitter	<input type="checkbox"/> Indicator on transmitter not lighting <input type="checkbox"/> Code not matched  <input type="checkbox"/> Drive unit aerial wire not extended <input type="checkbox"/> Battery flat <input type="checkbox"/> Radio interference	<input type="checkbox"/> Battery flat or battery leads broken <input type="checkbox"/> Check if numerical coding at receiver is identical with transmitter coding and make sure that the coding switches are fully engaged  <input type="checkbox"/> Extend aerial wire <input type="checkbox"/> Replace battery <input type="checkbox"/> Return operator to place of purchase for frequency upgrade (charges apply)
<input type="checkbox"/> Door open/closes by itself	<input type="checkbox"/> Incorrect coding	<input type="checkbox"/> Change the numerical coding on transmitter and receiver (please ensure at least 4 switches are in the on position)
<input type="checkbox"/> Door does not close fully	<input type="checkbox"/> Limit microswitch incorrectly adjusted	<input type="checkbox"/> Re-adjust limit switch (refer installation instructions - Step 15)
<input type="checkbox"/> Door does not open fully	<input type="checkbox"/> Limit microswitch incorrectly adjusted	<input type="checkbox"/> Re-adjust limit switch (refer installation instructions - Step 15)
<input type="checkbox"/> Lights not functioning	<input type="checkbox"/> Globe blown	<input type="checkbox"/> Replace globe
<input type="checkbox"/> Globes keep blowing	<input type="checkbox"/> Incorrect globe	<input type="checkbox"/> Replace with Edison type 240V 60W reinforced construction globe only (Osram model #60 ESRCC or equivalent)

## ACCESSORIES

<p><b>TX SERIES</b> Two and four channel standard transmitters</p>  <p>MODEL TXA-2      MODEL TXA-4</p>	<p><b>AT-1 SERIES Transmitters</b> One, two and four channel hand held transmitters</p>  <p>MODEL T-1      MODEL T-2      MODEL T-4</p>	
<p><b>PTXA SERIES</b> One, two and four channel standard pendant transmitters</p>  <p>MODEL PTXA-1      MODEL PTXA-2      MODEL PTXA-4</p>	<p><b>PT SERIES</b></p>  <p>MODEL PT-1      MODEL PT-2      MODEL PT-4</p>	
<p><b>Electronic Keyswitch</b> For manual control</p> 	<p><b>KPX-4/KP-4 SERIES Wireless Digital Keypads</b> Available in four channel, hand held or externally mounted</p> 	<p><b>CRXA/CR-1 SERIES Receivers</b> One and two channel stand alone receivers</p> 

# WARRANTY

Subject to the warranty conditions below, this Automatic Technology Australia Lift Up Door Operator (Hereinafter called the "Product") is warranted by Automatic Technology Australia Pty. Ltd. (Hereinafter called the "Company") to be free from defects in material or workmanship for a period of 24 months from the date of original installation.

Under the terms of this warranty, the repair or replacement of any part shall be of the opinion of the Company.

In order to obtain warranty service, the owner must return the defective component to the retailer from whom the product was purchased and present the sales docket and Warranty Certificate to confirm the date of purchase.

This product is sold by the reseller or agent as principle and the reseller or agent has no authority from the Company to give any additional warranty or guarantee on the Company's behalf except as herein contained or herein referred to.

The warranty only applies provided that the Product has been installed and used in accordance with the manufacturers recommendations under normal use and reasonable care (in the opinion of the Company) within Australia and New Zealand and such warranty does not

cover damage, malfunction or failure resulting from incorrect installation or misuse, neglect, abuse, or used for a purpose for which it was not designed or is not suited; and no repairs, alterations or modifications have been attempted by other than an Authorised Service Agent.

This warranty will not apply due to accidental damage or normal wear and tear, or if the damage was caused by flood, fire or lightning.

The Company accepts no additional liability pursuant to this warranty for the costs of travelling or transportation of the Product or parts to and from the Company or its Authorised Service Agent.

Automatic Technology Australia Pty. Ltd. to the extent that such may be lawfully excluded hereby expressly disclaims all conditions and warranties statutory or otherwise which may be implied by law as conditions or warranties of purchase of an Automatic Technology Australia Lift Up Door Operator and Automatic Technology Australia Pty. Ltd. hereby further expressly excludes all or any liability for any injury, damage, cost or expense or claim whatsoever suffered by any person as a result whether directly or indirectly from failure to install the Automatic Technology Australia Tilt Up Door Operator in accordance with the installation instructions.

## WARRANTY

**THIS WARRANTY FORM MUST BE COMPLETED BY THE INSTALLER AT TIME OF INSTALLATION TO VALIDATE WARRANTY. FAILURE TO DO SO WILL RENDER WARRANTY NULL AND VOID.**

This warranty form should be retained by the purchaser at all times and produced with the purchase docket by the Purchaser as proof of the purchase date.

PURCHASERS NAME: \_\_\_\_\_

PURCHASERS ADDRESS: \_\_\_\_\_

PURCHASED FROM: \_\_\_\_\_

INSTALLED BY: \_\_\_\_\_

INSTALLERS ADDRESS: \_\_\_\_\_

INSTALLERS SIGNATURE: \_\_\_\_\_

DRIVE UNIT SERIAL No.: \_\_\_\_\_

### **Automatic Technology (Australia) Pty Ltd**

Incorporated in Victoria  
17-19 Advantage Road  
Highett Victoria 3190  
Tel: (03) 9532 2788  
Fax:(03) 9532 2799